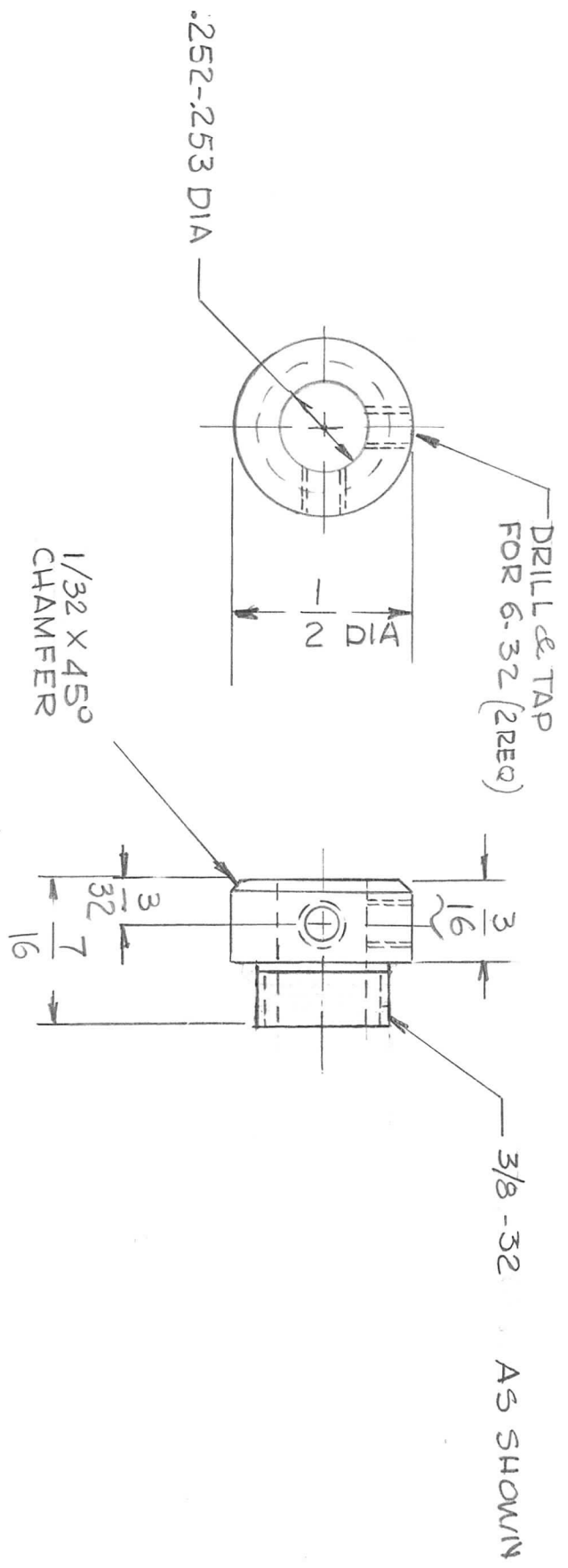


REQ. PER UNIT	MODEL	USED ON	DATE	PM 1597 X ₂
7	MMXR-2B	ASSY. NO.	9-9-77	

CHEGERS



MATES WITH LD2146

DEC. DIM. ±	FRAC. DIM. ±	ANGULAR DIM. ±	ORIGINAL RELEASE	6-5-78	GDL	WLB	*	
			CHANGES THROUGH	12-1-77	TMH			
			ISSUE ITEM	DATE	CH. NO.	DRAFTS	CHECKER	
			TOLERANCES					SCALE:
			MAXIMUM ALLOWABLE TOLERANCES HAVE BEEN DETERMINED AND ANY DEVIATIONS WILL BE CAUSE FOR REJECTION. REMOVE ALL BURRS AND SHARP EDGES					

REQ. ITEM	PART NO.	DESCRIPTION	SYMBOL
1		TMC INDUSTRIAL CORP. MAMARONECK. NEW YORK	
	STOCK SIZE		
	MATERIAL	HUB DIAL	
	303		
	TYPE & TEMPER		
	HEAT TREAT. SPEC.		
	S104-PASSIVATE		
	FINISH & SPEC. NO.		
	DRAWN	CHECKED	FINAL APPROVAL
	GDL	WLB	*
			WLB
			PM/1597
			Φ