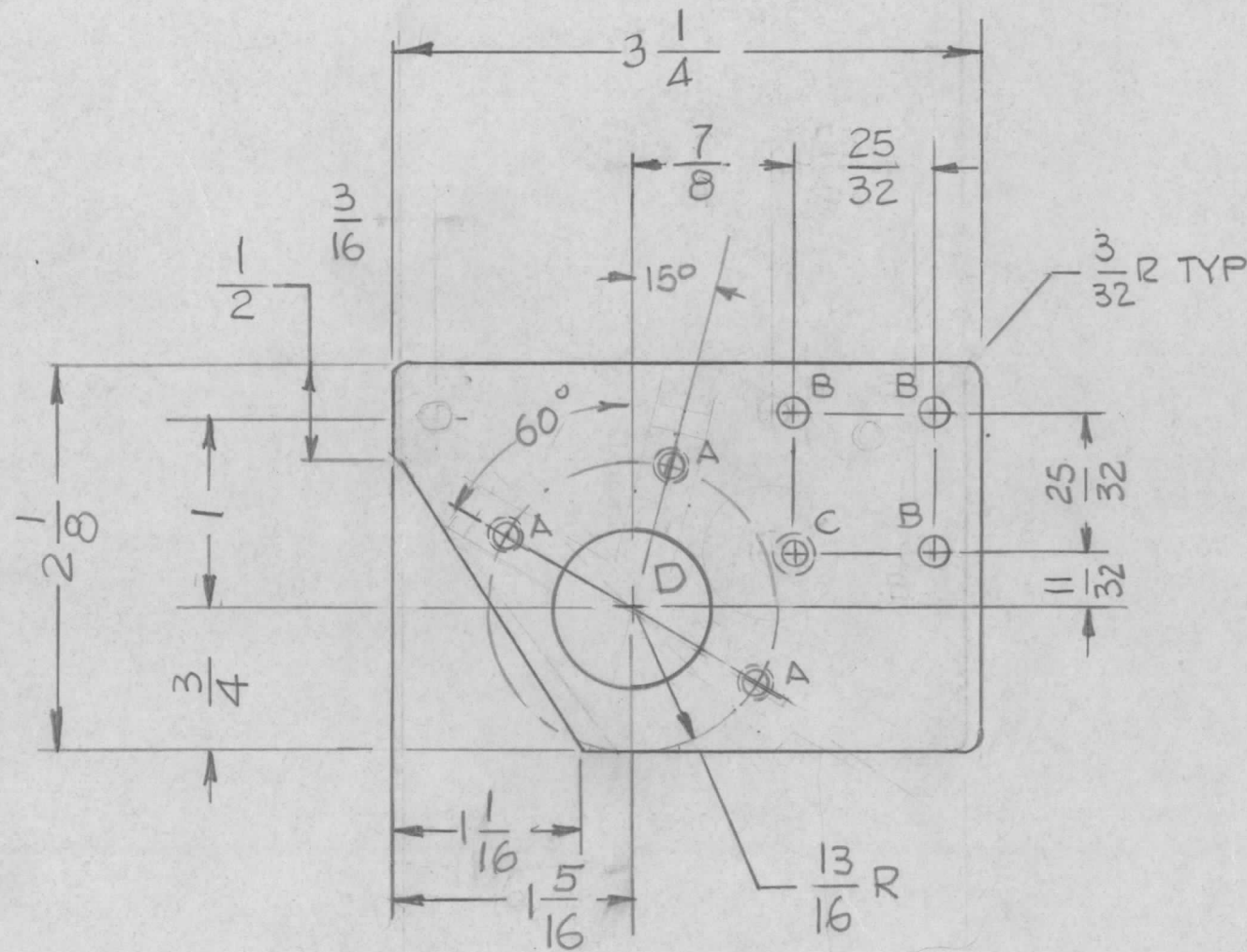


| REVISIONS | | | | | | | |
|------------|-------|------|------|-----|-------------------|---------|----------|
| E.M.N. NO. | DRAFT | CHKD | ZONE | LTR | DESCRIPTION | DATE | APPROVED |
| | GDL | | | XI | REDRAWN & REVISED | | |
| # | dw | | | | ORIGINAL RELEASE | 9-26-80 | |



- HOLES
- A - .120 DIA C'SK 82° TO .230 DIA 3 REQ
 - B - 11/64 DIA 4 REQ
 - C - .144 DIA C'SK 82° TO .284 DIA 1 REQ
 - D - 7/8 DIA 1 REQ

OBSOLETE
USE ONLY FOR
SPARE PARTS
 (SEE AX5218)

| | | |
|-------------|---------------|-----------|
| 1 | HFTA-10K() | AX5196 |
| QTY / UNIT | MODEL USED ON | ASS'Y NO. |
| APPLICATION | | |
| CODE | | |

NOTICE TO PERSONS RECEIVING THIS DRAWING
 THE TECHNICAL MATERIEL CORPORATION claims proprietary right in the material disclosed hereon. This drawing is issued in confidence for engineering information only and may not be reproduced or used to manufacture anything shown hereon without permission from THE TECHNICAL MATERIEL CORPORATION to the user. This drawing is loaned for mutual assistance and is subject to recall at any time.

UNLESS OTHERWISE SPECIFIED DIMENSIONS ARE IN INCHES AND INCLUDE CHEMICALLY APPLIED OR PLATED FINISHES

| | |
|-------------|--------------|
| DECIMALS | FRACTIONS |
| .X ± .05 | 1/64 |
| .XX ± .01 | TOLS. ANGLES |
| .XXX ± .005 | 0° - 30' |

MATERIAL .064THK
 5052-H32
 FINISH S404
 YEL IRIDITE

| REQ'D | ITEM | PART NUMBER | DESCRIPTION | SYM. |
|--|-----------------|-------------|-------------|------|
| LIST OF MATERIAL | | | | |
| FINAL APPROVAL <i>pu</i> DATE | | | | |
| MECH. DES. DATE | | | | |
| ELECT. DES. DATE | | | | |
| CHECKED DATE | | | | |
| DRAWN G.D.L. DATE 5-12-76 | | | | |
| THE TECHNICAL MATERIEL CORP. MAMARONECK, NEW YORK | | | | |
| PLATE, MTG CAP | | | | |
| SIZE | CODE IDENT. NO. | DWG NO. | ISSUE | |
| B | 82679 | PM1584 | Ø | |
| SCALE | 1:1 | SHEET | OF | |