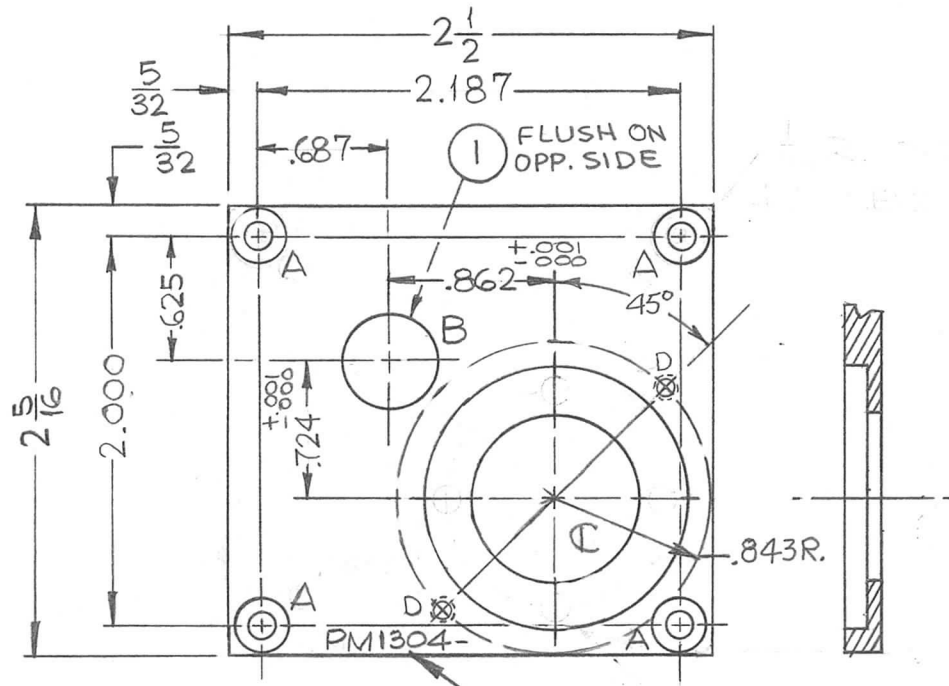


REQ. PER UNIT	USED ON			PM1304 A
	MODEL	ASS'Y. NO.	DATE	
1	TLAA-2.5K	BMA126	6-3-66	



HOLE	DESCRIPTION	REQ'D
A	.144 DIA. & C'SK 82° TO .284	4
B	.4990-.4995 DIA.	1
C	.8750-.8755 DIA. & C'BORE 1-3/8x.125 DP.	1
D	DRILL & TAP FOR 0440 (THRU)	2

MARK TMC PART NO. 1/8 HIGH GOTHIC W/LATEST REV. LETTER.

REF: LD2135

A REV. & UPDATED		7.68	18990	HLA	FB	1	1	BB126-15	BEARING, RACE	B			
Ø	ORIGINAL RELEASE FOR PRODUCTION	11/16/66	Ø	CV				3/16	THE TECHNICAL MATERIEL CORP. MAMARONECK, NEW YORK	SYMBOL			
X1	ITEM 1 ADDED	9-20-66	X1	HLA	FB			STOCK SIZE			PLATE, BEARING		
X	EXPERIMENTAL RELEASE	6-14-66	X	HLA	FB	BC		ALUMINUM					
SYM	DESCRIPTION	DATE	CH. NO.	DRAFTS	CHECKER	ENG. APP.							
UNLESS OTHERWISE SPECIFIED DIMENSIONS ARE IN INCHES AND INCLUDE CHEMICALLY APPLIED OR PLATED FINISHES		SCALE		2024-T3									
		1:1				H.AUSTIN		G-3-66		JCB	M. HAN		
						TYPE & TEMPER		HEAT TREAT. SPEC.		DRAWN		CHECKED	FINAL APPROVAL
						S404-YELLOW IRIDITE				MECH. DES. APP.		ELEC. DES. APP.	PM1304 A
						FINISH & SPEC. NO.				MECH. DES. APP.		ELEC. DES. APP.	PM1304 A

DECIMALS	FRACTIONS	CODE
.X ± .05	± 1/64	
.XX ± .01	ANGLES	
.XXX ± .005	± 0° 30'	