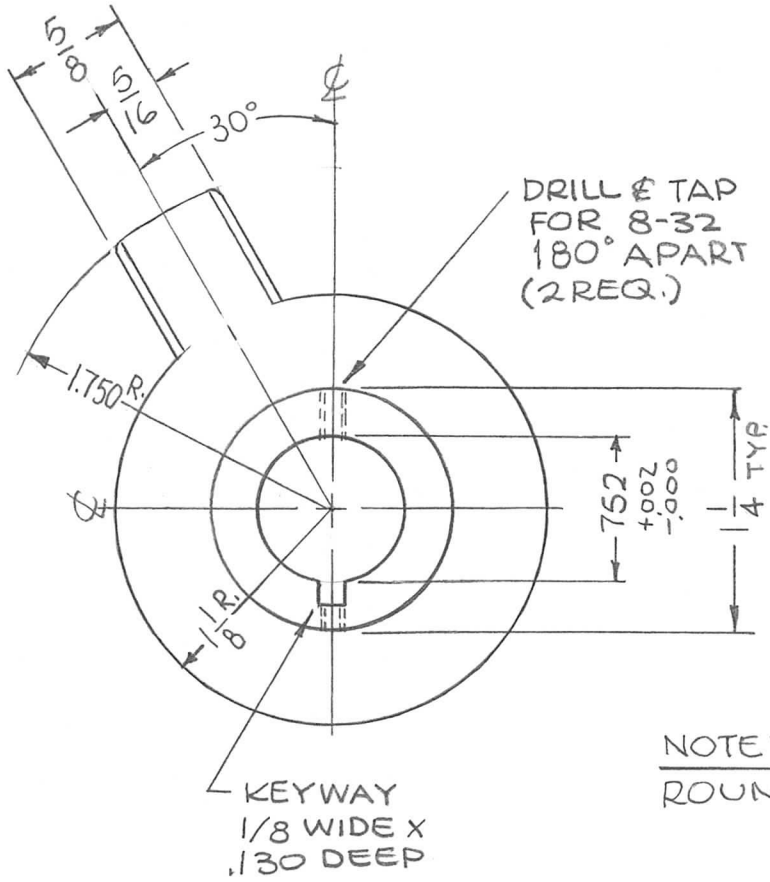
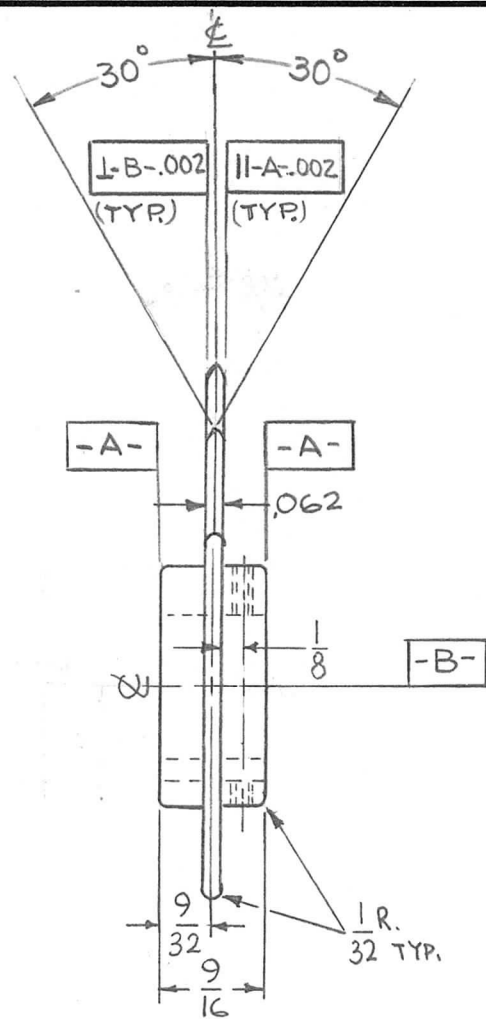


REQ. PER UNIT	USED ON			PM1269	Ø
	MODEL	ASS'Y. NO.	DATE		
4	TST-10K		6-10-65		



NOTE:
ROUND ALL EDGES 1/64 R.

							REQ. ITEM	PART NO.	F. BUDETTI DESCRIPTION			SYMBOL				
							AS NOTED		THE TECHNICAL MATERIEL CORP. MAMARONECK, NEW YORK							
							STOCK SIZE		ROTOR, BANDSWITCH							
							BRASS									
							MATERIAL									
							HALF HARD									
							TYPE & TEMPER		HEAT TREAT. SPEC.		DRAWN		CHECKED		FINAL APPROVAL	
							S245 SILVER PLATE		S423 SILVER KOTE							
							FINISH & SPEC. NO.		ELEC. DES. APP.		MECH. DES. APP.		PM1269		Ø	
UNLESS OTHERWISE SPECIFIED DIMENSIONS ARE IN INCHES AND INCLUDE CHEMICALLY APPLIED OR PLATED FINISHES					SCALE											
					1:1											
DECIMALS		FRACTIONS		CODE												
.X ± .05		± 1/64		A												
.XX ± .01		ANGLES														
.XXX ± .005		± 0° 30'														