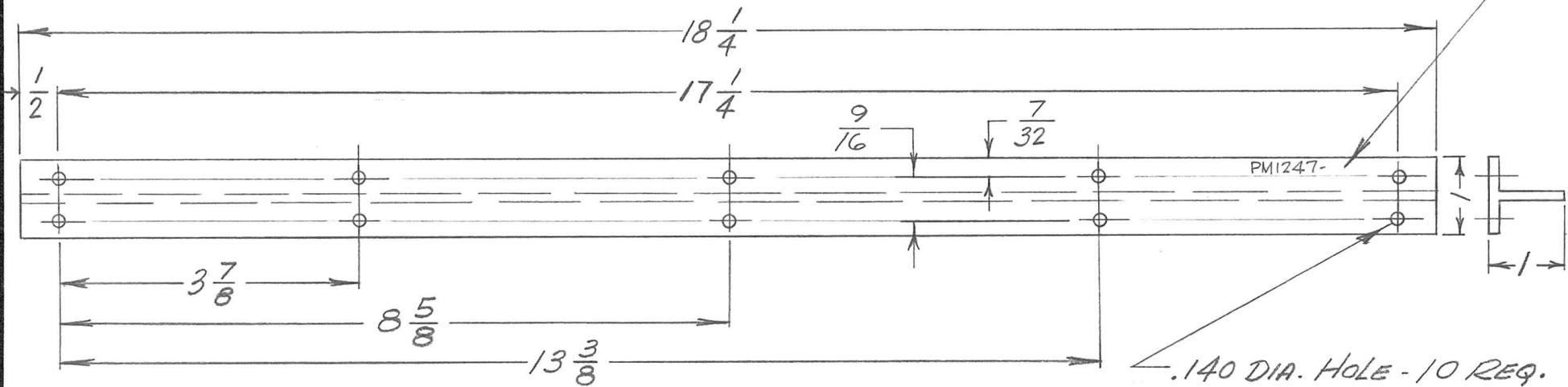


REQ. PER UNIT	USED ON		
	MODEL	ASS'Y. NO.	DATE
1	LRC-1	AX567	4.22.65
1	LRCM-1	AX568	4.22.65

PM1247 \emptyset

METAL STAMP TMC PART NO. 1/8 HIGH GOTHIC.
W/LATEST REVISION LETTER



.140 DIA. HOLE - 10 REQ.

REQ.	ITEM	PART NO.	M. ZETENA				DESCRIPTION	SYMBOL
		1 x 1 x 1/8 THK.	THE TECHNICAL MATERIEL CORP.					
		STOCK SIZE	MAMARONECK.					
		EXTRUDED ALUMINUM	NEW YORK					
		TEE - SHARP ANGLES	TEE, STIFFENER					
\emptyset	ORIGINAL RELEASE FOR PRODUCTION	4.22.65	M	HLA				
SYM	DESCRIPTION	DATE	CH. NO.	DRAFTS	CHECKER	ENG. APP.		
UNLESS OTHERWISE SPECIFIED DIMENSIONS ARE IN INCHES AND INCLUDE CHEMICALLY APPLIED OR PLATED FINISHES		SCALE						
		1/2 : 1						
DECIMALS		FRACTIONS		CODE				
.X \pm .05		\pm 1/64						
.XX \pm .01		ANGLES						
.XXX \pm .005		\pm 0° 30'						
TOLERANCES								
				6063-T5				
				H. AUSTIN				
				JCB				
				J E Eaton				
				DRAWN				
				CHECKED				
				FINAL APPROVAL				
				S404-IRIDITE				
				MECH. DES. APP.				
				FINISH & SPEC. NO.				
				ELEC. DES. APP.				
				MECH. DES. APP.				
				PM1247 \emptyset				