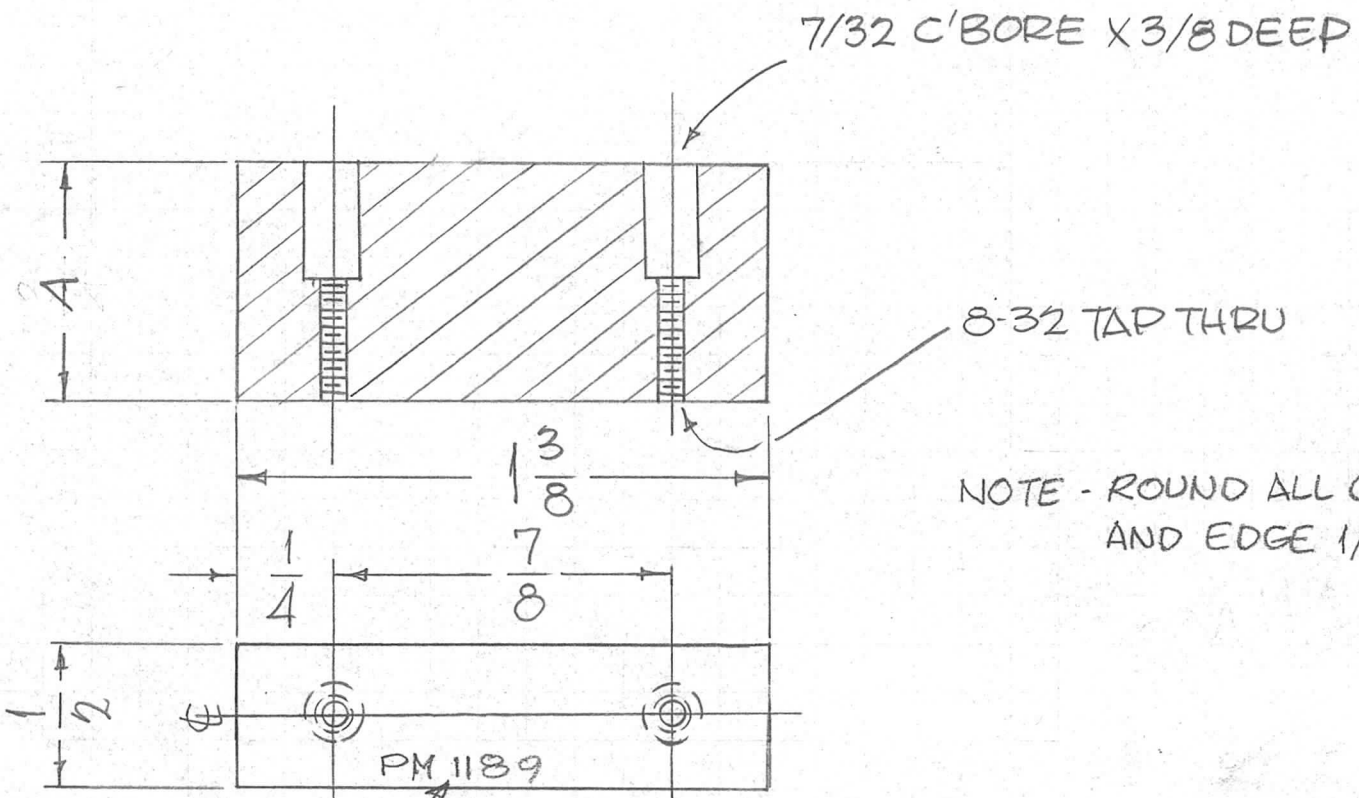


TMC P/N.	DIM A
PM 1189	3/4
PM 1189-2	13/16

REQ. PER UNIT	USED ON		
	MODEL	ASS'Y. NO.	DATE
	TST()10K		7-20-65

PM 1189 A



MARK TMC P/NO 1/8 HIGH GOTHIC W/LATEST REV. LETTER MATERIAL 1/2 THK ALUMINUM

REQ.	ITEM	PART NO.				DESCRIPTION			SYMBOL
		1/2 THK				THE TECHNICAL MATERIEL CORP.			
		STOCK SIZE				MAMARONECK, NEW YORK			
A		ALUMINUM				SPACER, CONTACTS			
		MATERIAL							
		2024-T4			SRS	HD 6/15/66	[Signature]		
		S404 YEL. IRIDITE			6/14/66		[Signature]		
		FINISH & SPEC. NO.		ELEC. DES. APP.		MECH. DES. APP.		PM 1189	A

UNLESS OTHERWISE SPECIFIED DIMENSIONS ARE IN INCHES AND INCLUDE CHEMICALLY APPLIED OR PLATED FINISHES

DECIMALS
.X ± .05
.XX ± .01
.XXX ± .005

FRACTIONS
± 1/64
ANGLES
± 0° 30'

TOLERANCES

SCALE
DO NOT SCALE

CODE
A