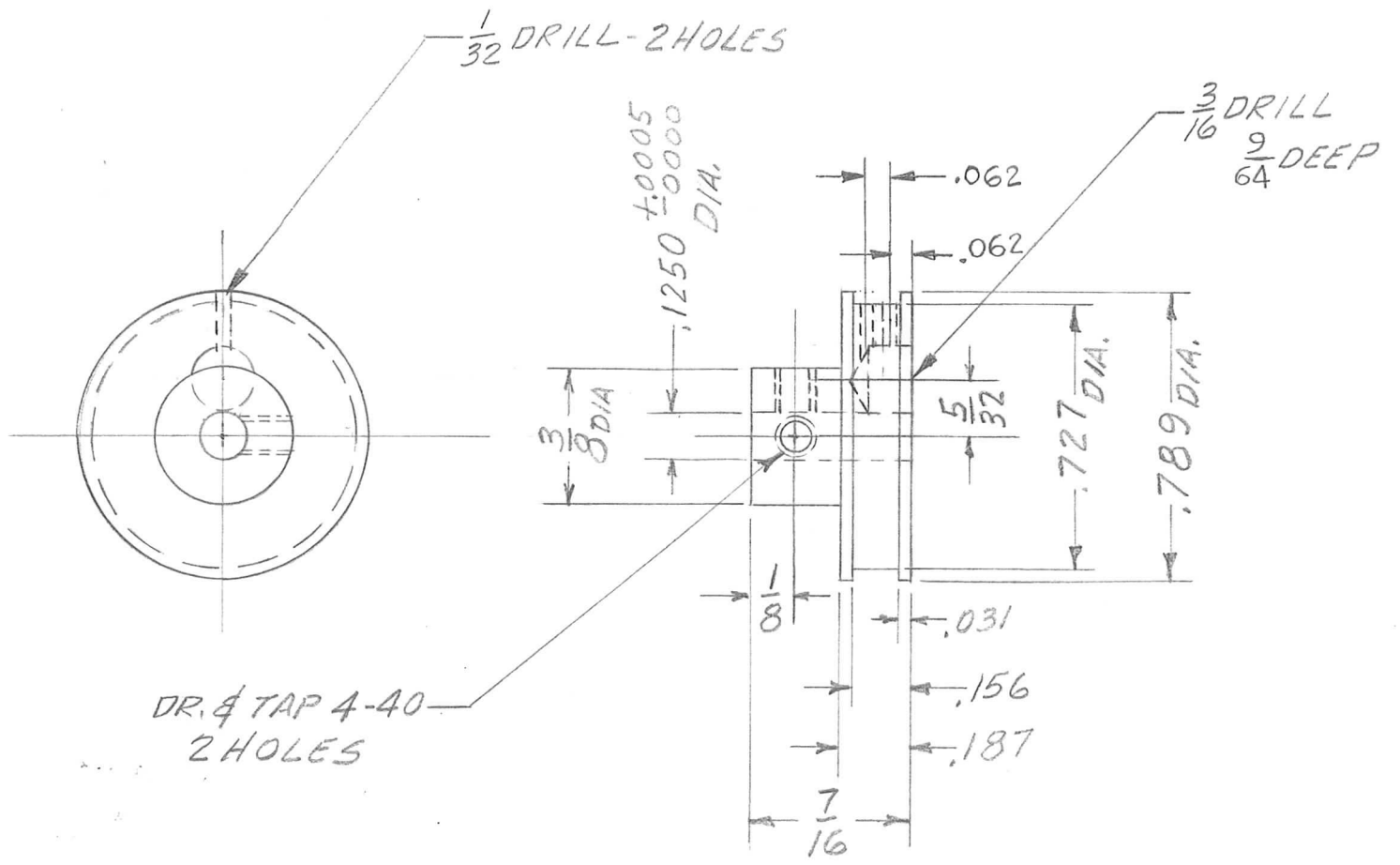


| | | | | | |
|---------------|---------|------------|------|--------|---|
| REQ. PER UNIT | USED ON | | | PM1136 | Ø |
| | MODEL | ASS'Y. NO. | DATE | | |
| 1 | VLRB-1 | | | | |



| SYM | DESCRIPTION | DATE | CH. NO. | DRAFTS | CHECKER | ENG. APP. | REQ. ITEM | PART NO. | DESCRIPTION | SYMBOL | | |
|---|---------------------------------|---------|---------|--------|---------|-----------|--------------------|-------------------|--|-----------------|----------------|-----------------|
| Ø | ORIGINAL RELEASE FOR PRODUCTION | 4-9-65 | Ø | gJ | | | | | THE TECHNICAL MATERIEL CORP. MAMARONECK, NEW YORK PULLEY DRUM DIAL TOP | Ø | | |
| XI | 2 HOLES 1/32 DIA. RELOCATED | 12-2-64 | | G.D.L | | | STOCK SIZE | | | | | |
| X | EXPER. RELEASE | | | | | | ALUMINUM | | | | | |
| | | | | | | | MATERIAL | | | | | |
| UNLESS OTHERWISE SPECIFIED DIMENSIONS ARE IN INCHES AND INCLUDE CHEMICALLY APPLIED OR PLATED FINISHES | | | | | | | SCALE | 2:1 | 2024-T3 | D.A.C. | @ | 17/10/65 4/9/65 |
| DECIMALS | FRACTIONS | CODE | | | | | TYPE & TEMPER | HEAT TREAT. SPEC. | DRAWN | CHECKED | FINAL APPROVAL | |
| .X ± .05 | ± 1/64 | A | | | | | S404 YEL IRIDITE | | | 2/3 | PM1136 | Ø |
| .XX ± .01 | ANGLES | | | | | | FINISH & SPEC. NO. | | ELEC. DES. APP. | MECH. DES. APP. | | |
| .XXX ± .005 | ± 0° 30' | | | | | | | | | | | |