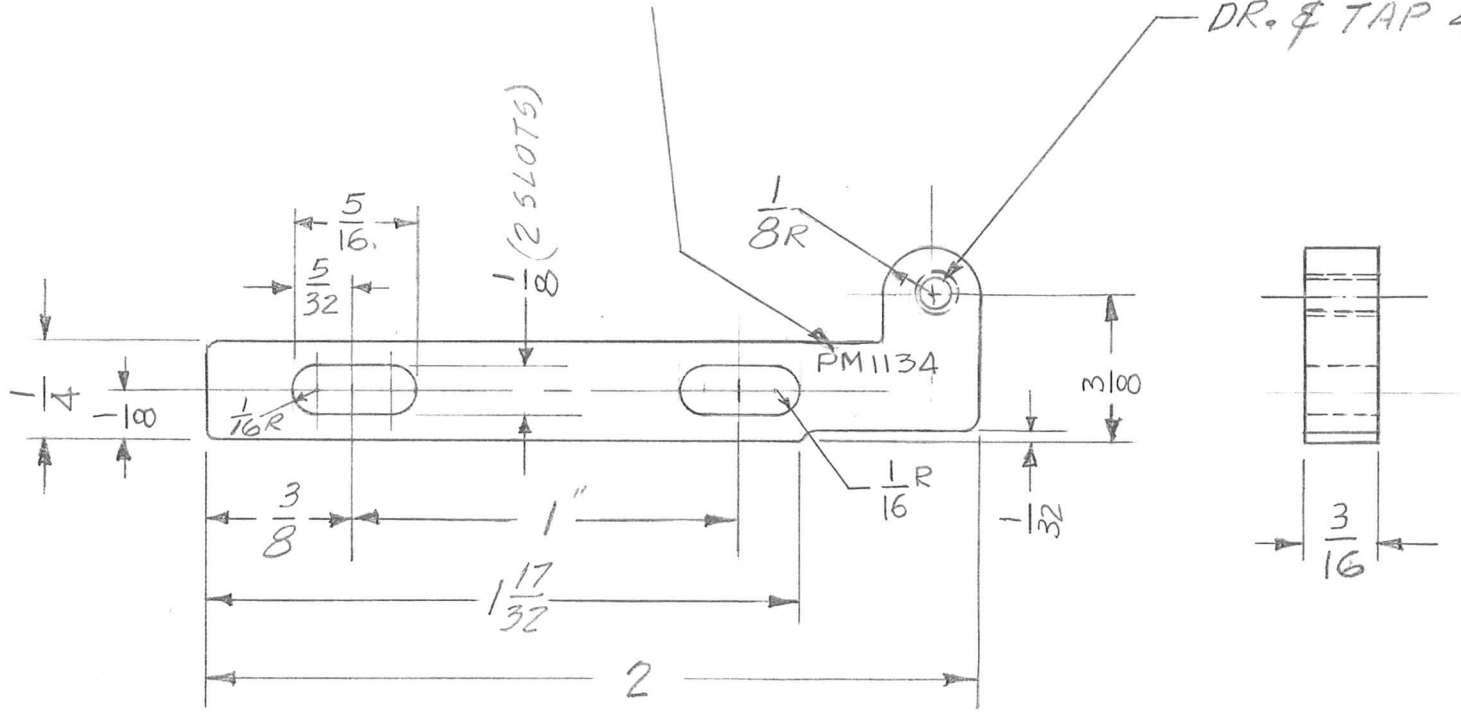


REQ. PER UNIT 1	USED ON			PM1134	A
	MODEL VLRB-1	ASS'Y. NO.	DATE		

METAL STAMP TMC P/NO 1/16 HIGH  
GOTHIC W/LATEST REV. LETTER

DR. & TAP 4-40



							REQ. ITEM	PART NO.	O. POSE	DESCRIPTION	SYMBOL			
A	TMC. P/N 1/16 HIGH WAS 1/2	2-19-69	19224	GE	<i>OPJ</i>				THE TECHNICAL MATERIEL CORP. MAMARONECK, NEW YORK					
<del>Ø</del>	ORIGINAL RELEASE FOR PRODUCTION	4-9-65	<del>Ø</del>	<del>Ø</del>				ALUMINUM	PULLEY, TENSION BAR (DIAL DRIVE)					
X	EXPER. RELEASE							2024-T4	D.A.C.	@	<i>OPJ</i>			
SYM	DESCRIPTION	DATE	CH. NO.	DRAFTS	CHECKER	ENG. APP.	MATERIAL		TYPE & TEMPER	HEAT TREAT. SPEC.	DRAWN	CHECKED	FINAL APPROVAL	
UNLESS OTHERWISE SPECIFIED DIMENSIONS ARE IN INCHES AND INCLUDE CHEMICALLY APPLIED OR PLATED FINISHES		SCALE 2:1					5404 YEL. IRIDITE							
DECIMALS .X ± .05 .XX ± .01 .XXX ± .005	TOLERANCES	FRACTIONS ± 1/64 ANGLES ± 0° 30'	CODE A	FINISH & SPEC. NO.		ELEC. DES. APP.		MECH. DES. APP.		PM1134			A	