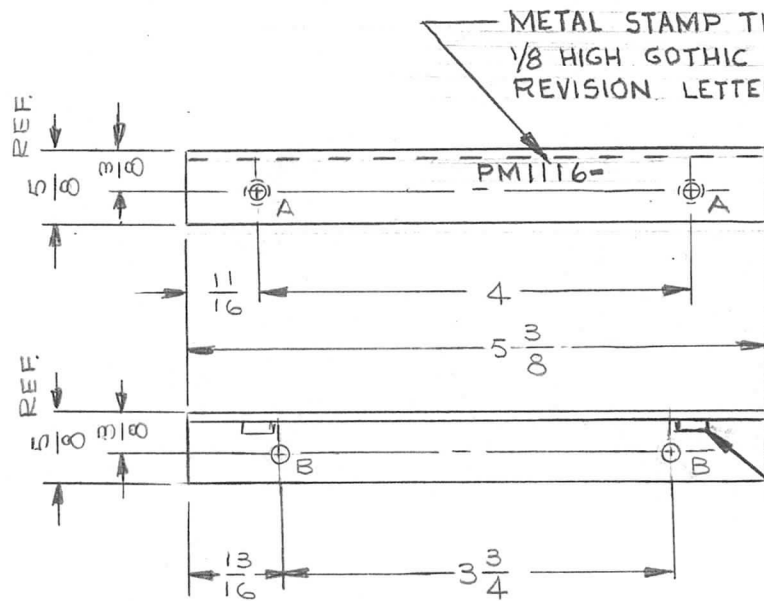


REQ. PER UNIT	USED ON			PM1116	⊕
	MODEL	ASS'Y. NO.	DATE		
1	RTMU-1	A3909	6/24/64		



HOLE LEGEND		
HOLE	DESCRIPTION	REQ'D
A	.221-.224 DIA	2
B	3/16 DIA	2

1 MOUNT IN ALL "A" HOLES

REMOVE ALL BURRS & SHARP EDGES.

						2	1	NT-129-832-6	NUT, PLAIN SPLINE TYPE	A	
						REQ. ITEM		PART NO.	EATON	DESCRIPTION SK3071PM8	SYMBOL
								EXTRUDED ANGLE 5/8 X 5/8 X 1/8 THK STOCK SIZE	THE TECHNICAL MATERIEL CORP. MAMARONECK, NEW YORK		
⊕	ORIGINAL RELEASE FOR PRODUCTION	1-18-65	⊕	JL	JM			ALUMINUM	BRACKET, SUPPORT- LEFT SIDE (P.C. CARD BIN)		
X	EXPER. RELEASE	6-22-64		JL							
SYM	DESCRIPTION	DATE	CH. NO.	DRAFTS	CHECKER	ENG. APP.					
UNLESS OTHERWISE SPECIFIED DIMENSIONS ARE IN INCHES AND INCLUDE CHEMICALLY APPLIED OR PLATED FINISHES		SCALE		NONE							
DECIMALS .X ± .05 .XX ± .01 .XXX ± .005	TOLERANCES	FRACTIONS ± 1/64 ANGLES ± 0° 30'	CODE A								
							6063 T5	—	J.L.	⊕ @ RJC	
							TYPE & TEMPER	HEAT TREAT. SPEC.	DRAWN	CHECKED	FINAL APPROVAL
							YELLOW IRIDITE PER S404		J. Jordan 11/8/65	W. Jordan 11/8/65	PM1116 ⊕
							FINISH & SPEC. NO.		ELEC. DES. APP.	MECH. DES. APP.	