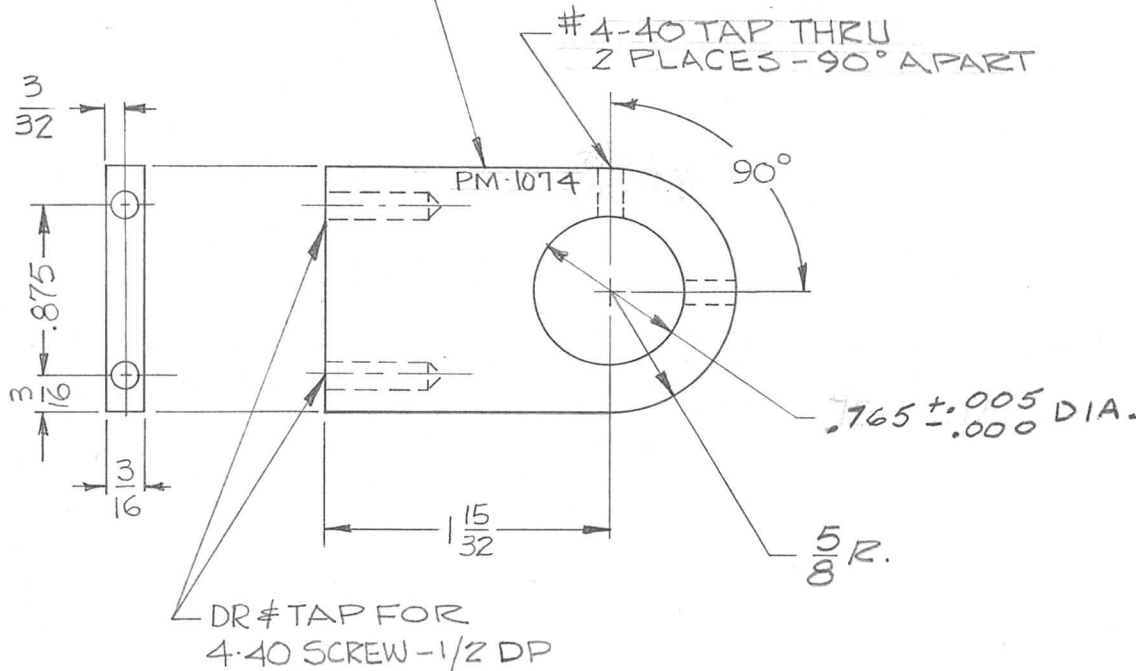


REQ. PER UNIT	USED ON		
	MODEL	ASS'Y. NO.	DATE
2	HFR-2	A32-t	5-21-64
2	HFRR-2	A32	9-11-64

PM-1074 B

METAL STAMP TMC PART NO. 1/8
HIGH GOTHIC WITH LATEST REV.
LETTER



NOTE:
REMOVE ALL BURRS & SHARP EDGES

B	.765 WAS .750	19/6/65	14948	H.V.	QC12	je	REQ. ITEM	PART NO.	T. KRUY	DESCRIPTION	SYMBOL					
A	FINISH WAS S104 ORIGINAL RELEASE FOR PRODUCTION	9.28.64	12467	LB	@	je										
Ø	TITLE WAS BRACKET, DIAL	9-11-64	Ø	P.L.				3/16 THK		THE TECHNICAL MATERIEL CORP. MAMARONECK, NEW YORK						
X ₁	EXP. RELEASE	9-10-64		P.L.				STOCK SIZE								
X		5/21/64		AD				ALUMINUM		SUPPORT, DIAL, END						
SYM	DESCRIPTION	DATE	CH. NO.	DRAFTS	CHECKER	ENG. APP.	MATERIAL									
UNLESS OTHERWISE SPECIFIED DIMENSIONS ARE IN INCHES AND INCLUDE CHEMICALLY APPLIED OR PLATED FINISHES		SCALE					5052-HB2									
DECIMALS .X ± .05 .XX ± .01 .XXX ± .005		FRACTIONS ± 1/64 ANGLES ± 0° 30'		TOLERANCES		CODE A	TYPE & TEMPER		HEAT TREAT. SPEC.		DRAWN		CHECKED		FINAL APPROVAL	
							S404 YELLOW IRIDITE				T. Kruey		PM-1074		B	
							FINISH & SPEC. NO.		ELEC. DES. APP.		MECH. DES. APP.					