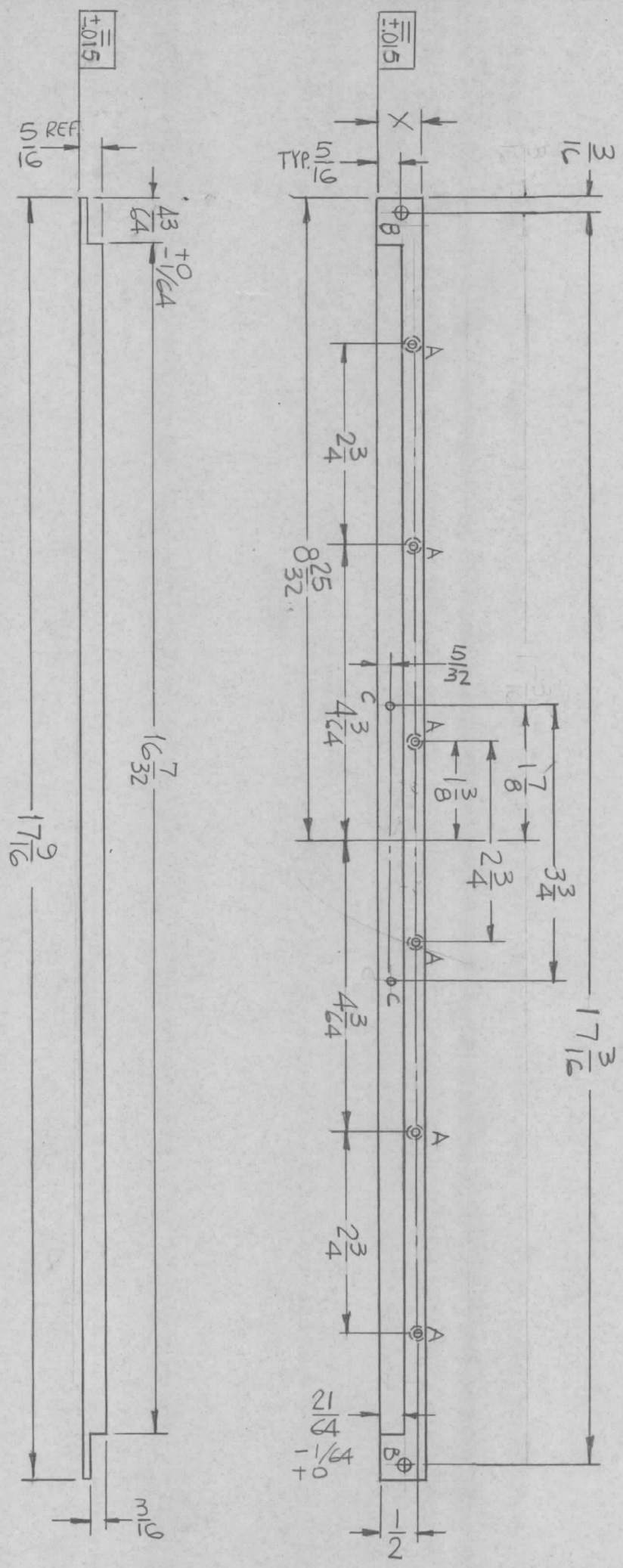


REVISIONS		DATE	E.M.N. NO.	DRAFT	CHKD	APPD
X	EXP. RELEASE	12-9-66				
Ø	ORIGINAL RELEASE FOR PRODUCTION	3.1.67				
A	DELE. NT139-5C06-10 Ø 70L ±(015) WAS(010)	4/15/68	18863	Wg.		FB



HOLES:  
 A ~ DRILL & TAP FOR 4-40 (GREEN)  
 B ~ 13/64 DIA. (2REQ.)  
 C ~ .078 DIA (SEE CHART)

TMC P/N	X	"C" HOLES
PM1070-1	19/32	2 REQ
PM1070-2	5/8	NOT REQ.

REQ'D.	ITEM	PART NUMBER	DESCRIPTION	SYMBOL
	F. BUDETTI			A

MATERIAL	TITLE
5/16 ALUMINUM 2024-T3	BRACKET, MTG MODULES

Q'TY./UNIT	MODEL USED ON	ASSY. NO.
1EA	TC5A-1	AX632-2

SCALE	DECIMALS	TOLERANCES	FRACTIONS
1:2	.X ± .05 .XX ± .01 .XXX ± .005		± 1/64 ANGLES ± 0° 30'

NOTES

THE CONTENTS OF THIS DRAWING ARE THE EXCLUSIVE PROPERTY OF THE TECHNICAL MATERIEL CORP. ITS UNAUTHORIZED USE OR REPRODUCTION IN WHOLE OR IN PART IS STRICTLY FORBIDDEN.