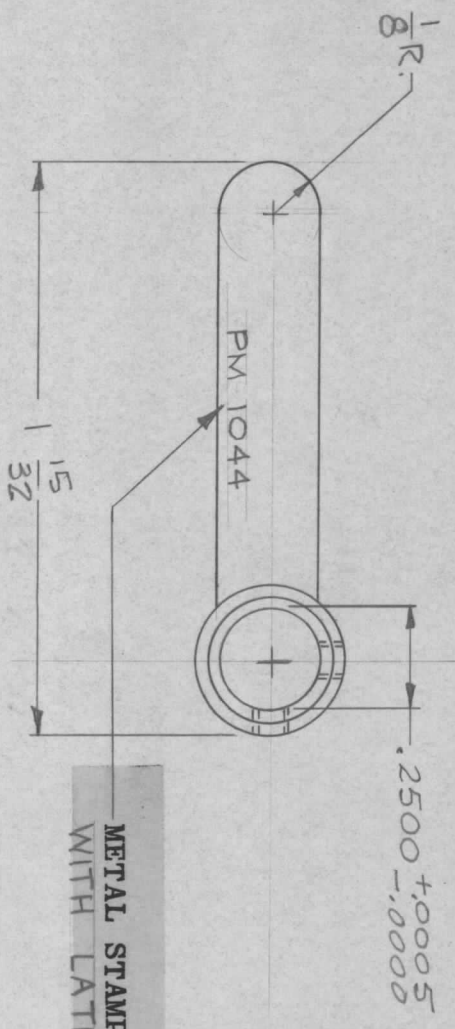
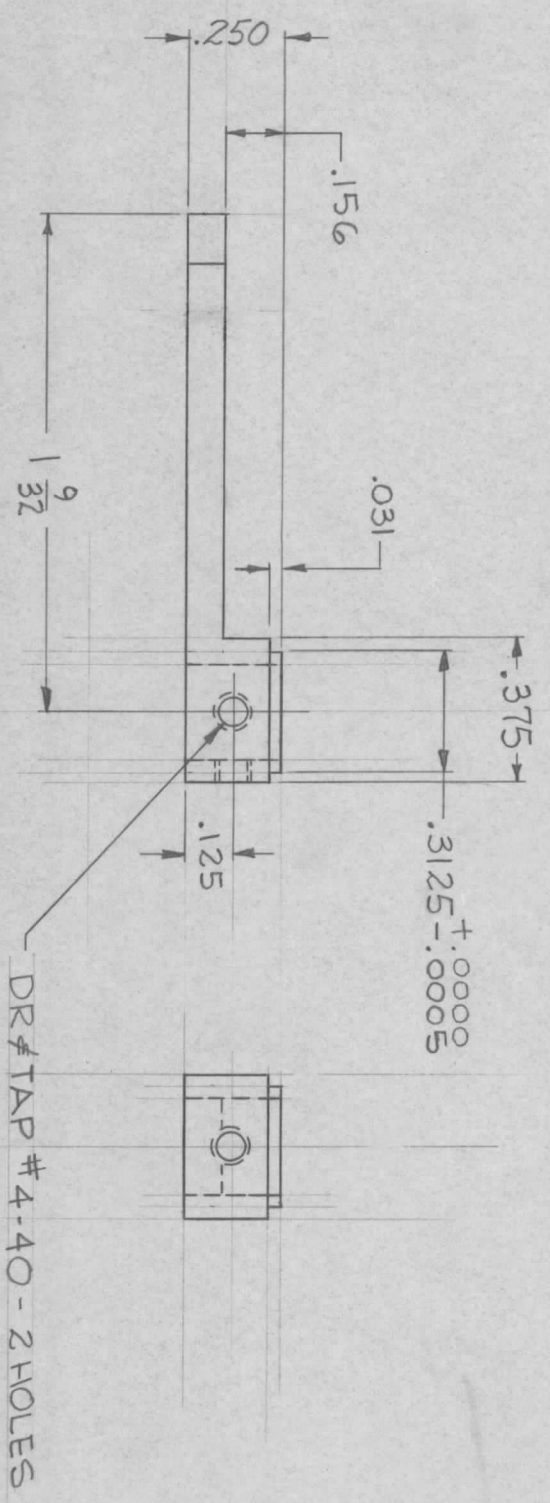


REVISIONS						
SYM	DESCRIPTION	DATE	E.M.N. NO.	DRAFT	CHKD	APPD
X	EXPERIMENTAL RELEASE	3/23/64	4	AKD		
Ø	ORIGINAL RELEASE FOR PRODUCTION	9-14-64	Ø	JK		



METAL STAMP TMC PART NO. 1/8 HIGH GOTHIC WITH LATEST REV LETTER

NOTE: REMOVE ALL BURRS & SHARP EDGES

PM 1044 Ø

QTY./UNIT	1	MODEL USED ON	HFRR-2	ASS'Y. NO.	A3625
SCALE	2:1	CODE	A		

THE CONTENTS OF THIS DRAWING ARE THE EXCLUSIVE PROPERTY OF THE TECHNICAL MATERIEL CORP. ITS UNAUTHORIZED USE OR REPRODUCTION IN WHOLE OR IN PART IS STRICTLY FORBIDDEN.

REQ'D.	ITEM	PART NUMBER	DESCRIPTION	SYMBOL
	T. KRUY	E3112B	LIST OF MATERIAL	
<p>MATERIAL # 303 STAINLESS STEEL</p> <p>FINISH S104 PASSIVATE</p>				
<p>UNLESS OTHERWISE SPECIFIED DIMENSIONS ARE IN INCHES AND INCLUDE CHEMICALLY APPLIED OR PLATED FINISHES</p> <p>DECIMALS: .X ± .05, .XX ± .01, .XXX ± .005</p> <p>FRACTIONS: ± 1/64 ANGLES ± 0° 30'</p>				
DRAWN		TITLE		
CHECKED		ARM, ACTUATOR		
ELECT. DES.		THE TECHNICAL MATERIEL CORP.		
MECH. DES.		MAMARONECK, NEW YORK		
DATE	DATE	DATE	FINAL APPROVAL	DATE
			<i>[Signature]</i>	
			PM 1044	
				Ø
				REV. LTR.