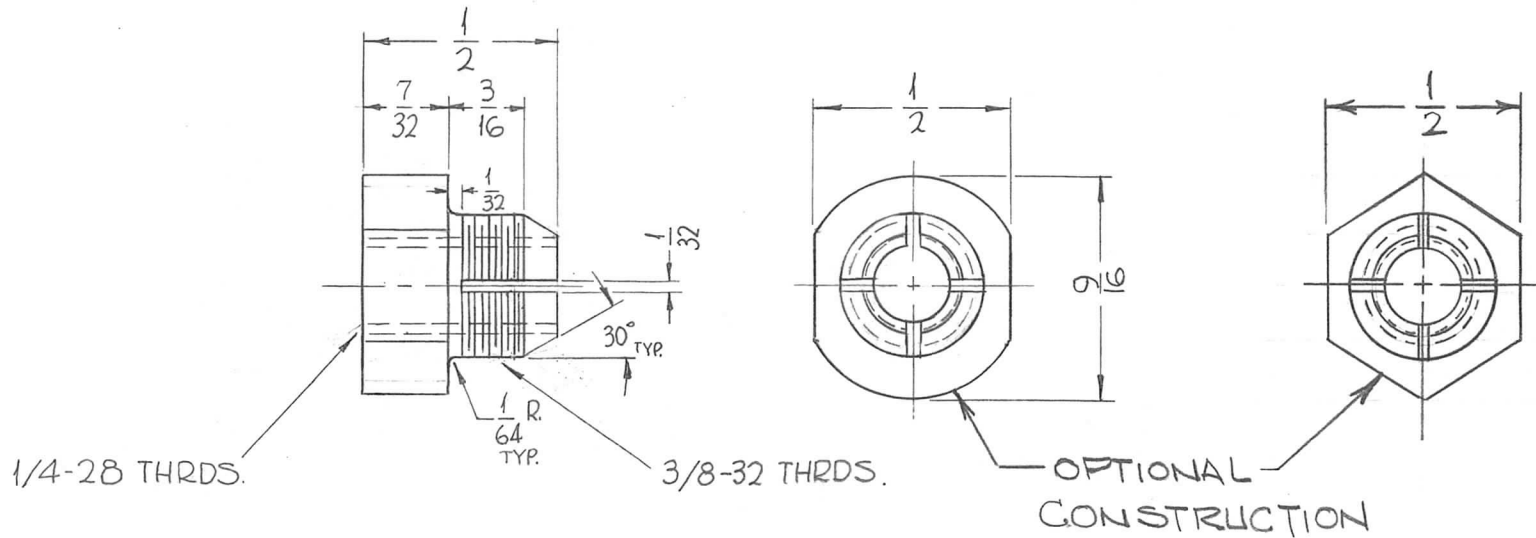


REQ. PER UNIT	USED ON			PM 1011	A
	MODEL	ASS'Y. NO.	DATE		
1	GPT-200K	AX 392	3-4-64		



MATES WITH NT 148

REQ.	ITEM	PART NO.	F. BUDETTI	DESCRIPTION	SYMBOL							
A	ADD. HEX CONSTRUCTION	2-7.66	15685	HKA	QC	QC	THE TECHNICAL MATERIEL CORP. MAMARONECK, NEW YORK					
O	ORIGINAL RELEASE FOR PRODUCTION	5-27-64	O	A.M.				STOP NUT, LOCKING				
SYM	DESCRIPTION	DATE	CH. NO.	DRAFTS	CHECKER	ENG. APP.	MATERIAL					
UNLESS OTHERWISE SPECIFIED DIMENSIONS ARE IN INCHES AND INCLUDE CHEMICALLY APPLIED OR PLATED FINISHES		SCALE		.2:1			SRG	MC	ROL			
DECIMALS .X ± .05 .XX ± .01 .XXX ± .005		FRACTIONS ± 1/64 ANGLES ± 0° 30'		TOLERANCES		CODE	TYPE & TEMPER	HEAT TREAT. SPEC.	DRAWN	CHECKED	FINAL APPROVAL	
											PM 1011	A
							FINISH & SPEC. NO.	ELEC. DES. APP.	MECH. DES. APP.			