

PIN-DETAIL (3REQ.)

MATERIAL:
STAINLESS STEEL

REQ. PER UNIT	USED ON		
	MODEL	ASS'Y. NO.	DATE
1	GPT-200K	AX-392	12-30-63

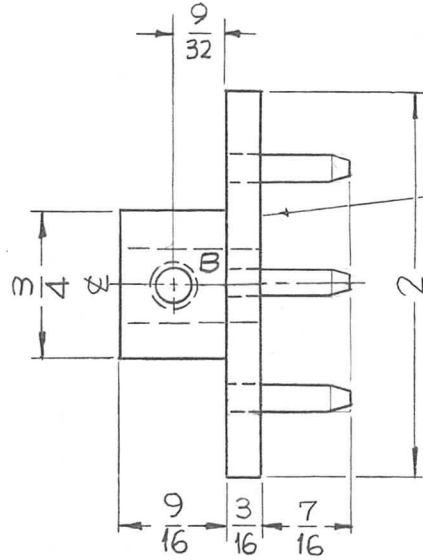
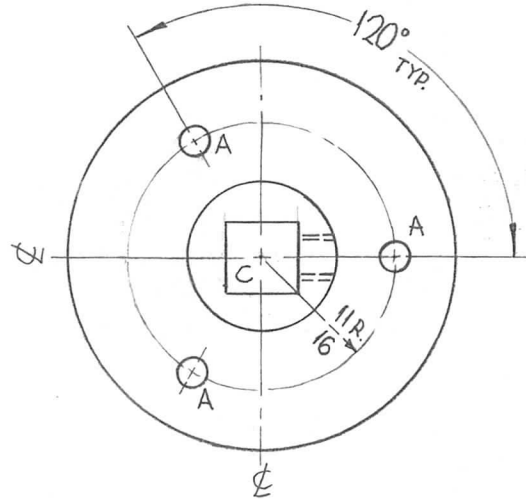
PM-1004/0

HOLES:

A-.186 ± 0.002 DIA. ——— 3REQ.

B- 1/4-20 TAP ——— 1REQ.

C-.375 ± 0.002 X .375 ± 0.002 SQUARE — 1REQ.



METAL STAMP TMC NO. PM-1004-0
1/8 HIGH GOTHIC ON THIS SURFACE.

REQ.	ITEM	PART NO.	F. BUDETTI	DESCRIPTION	SYMBOL	
\emptyset	ORIGINAL RELEASE FOR PRODUCTION	3-2-64				
SYM	DESCRIPTION	DATE	CH. NO.	DRAFTS	CHECKER	ENG. APP.
	UNLESS OTHERWISE SPECIFIED DIMENSIONS ARE IN INCHES AND INCLUDE CHEMICALLY APPLIED OR PLATED FINISHES	SCALE	1" = 1"			
	DECIMALS .X \pm .05 .XX \pm .01 .XXX \pm .005	FRACTIONS \pm 1/64 ANGLES \pm 0° 30'	CODE	A		
	TOLERANCES					
			5052-H32		SRG	AA 90B
			S404 YELLOW IRIDITE		DRB	4-7-64
					MECH. DES. APP.	FINAL APPROVAL
					ELEC. DES. APP.	PM-1004/0