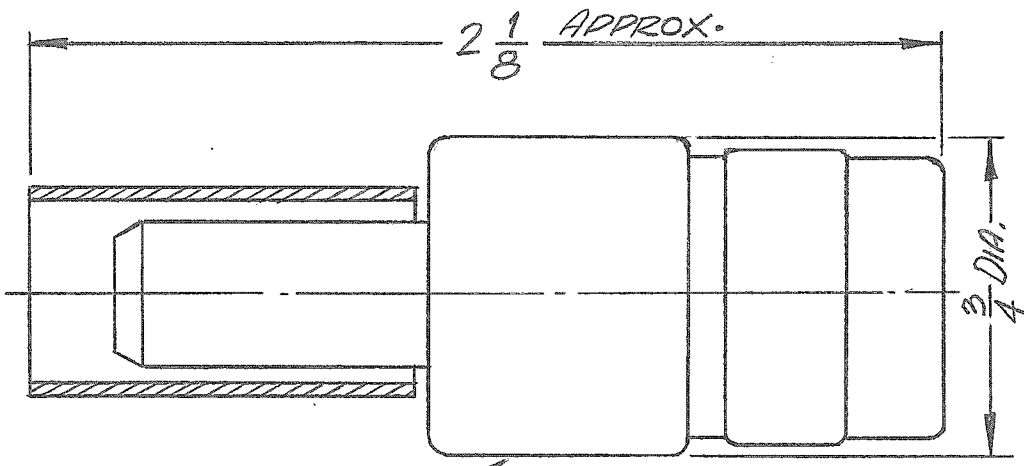
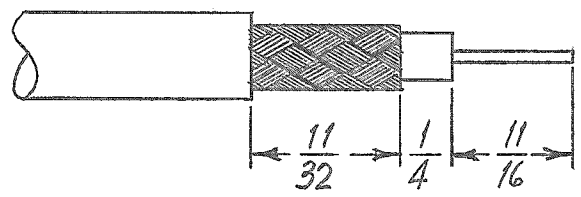


REQ. PER UNIT	USED ON			PL 201	Ø
	MODEL	ASS'Y. NO.	DATE		



STAMP TMC P/N PL201

CABLE STRIP DIMENSIONS



REF: TOOL (S401-35 #WT203)

SPECIFICATIONS

SERIES: "C"

NO. OF CONTACTS: ONE (1)

TYPE OF CONTACT: MALE

DIELECTRIC: TEFLON

ELECTRICAL DATA:

MAX. PEAK OPR. VOLT: 1,500 VOLTS

FREQ. LIMIT: 10,000 MHz

NOMINAL IMPEDANCE: 50 OHM

CABLE ACCOMODATIONS:

TYPE: RG-216/U

MATERIAL:

EXTERNAL PARTS: BRASS

CONTACTS: BERYLLIUM COPPER

GASKET: NONE

FINISH:

EXTERNAL PARTS: SILVER PLATE & RHODIUM FLASH

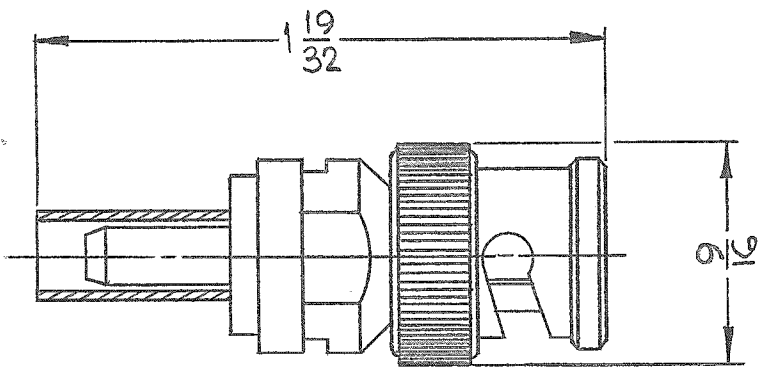
CONTACTS: SILVER PLATE & GOLD FLASH

MATING CONNECTOR:

NOTE: CRIMP CLAMP TYPE

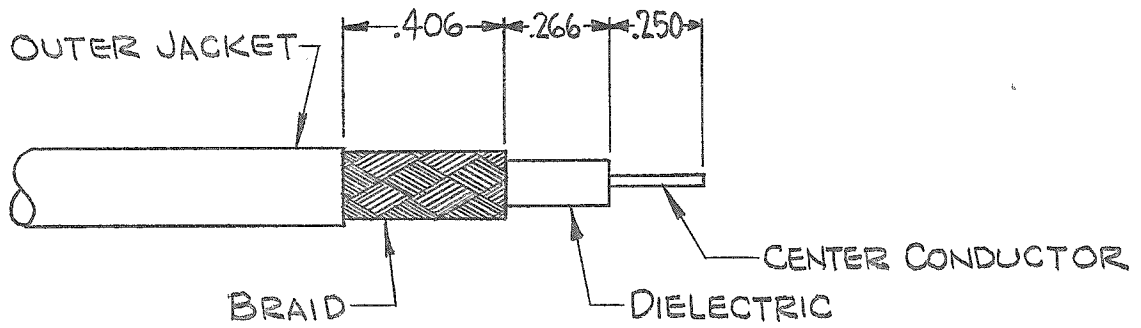
REQ. ITEM	PART NO.	MARTINENGO DESCRIPTION	SYMBOL
Ø	ORIG. RELEASE FOR PROD. 9.21.67	Ø RG.	Ø
X2	S401-35 ADDED, UPDATED MFG.	ENJ	
X1	"TOOL THOMAS & BETTS # WT-203" 2.2067	WHD	
SYM	DESCRIPTION	DATE	CH. NO.
UNLESS OTHERWISE SPECIFIED DIMENSIONS ARE IN INCHES AND INCLUDE CHEMICALLY APPLIED OR PLATED FINISHES		SCALE	
DECIMALS .X ± .05 .XX ± .01 .XXX ± .005	TOLERANCES	FRACTIONS ± 1/64 ANGLES ± 0° 30'	CODE C
		S401-70(2275)	
MATERIAL		SEE SPECS.	
TYPE & TEMPER	HEAT TREAT. SPEC.	DRAWN	CHECKED
SEE SPECS.	SEE SPECS.	H. AUSTIN 3.23.66	Ø
FINISH & SPEC. NO.		ELEC. DES. APP.	MECH. DES. APP.
			PL 201

REQ. PER UNIT	USED ON			PL 202	Ø
	MODEL	ASS'Y. NO.	DATE		



STAMP TMC PT. NO. "PL202-"

CABLE CUTTING DIMENSIONS



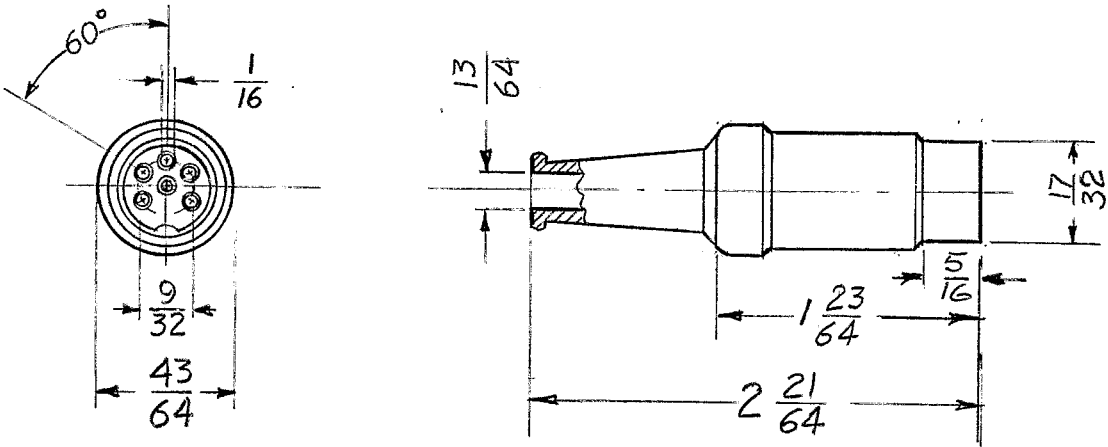
SPECIFICATIONS

SERIES: BNC
 NO. OF CONTACTS: ONE (1)
 TYPE OF CONTACT: MALE
 DIELECTRIC: TEFLON
ELECTRICAL DATA:
 MAX. PEAK OPR. VOLTS: 500V
 FREQ. LIMIT: 10,000 MHZ
 NOMINAL IMPEDANCE: 50 OHMS
CABLE ACCOMODATIONS:

TYPES: RG 122, 180A & 195/U
MATERIAL:
 EXTERNAL PARTS: BRASS
 CONTACT: BERYLLIUM COPPER
 GASKET: SILICONE RUBBER
FINISH:
 EXTERNAL PARTS: SILVER PLATE & RHODIUM FLASH
 CONTACT: SILVER PLATE & GOLD FLASH
MATING CONNECTOR: UG 625/U
 NOTE: CRIMP CLAMP TYPE
 REF: TOOL (S401-35 *WT 203)

REQ.	ITEM	PART NO.	MARTINENGO	DESCRIPTION	SYMBOL	
Ø	ORIG. RELEASE FOR PROD.	9-21-67	Ø	R.G.	<i>[Signature]</i>	
X2	ELECT & FINISH DATA: UPDATED	9-20-67	Ø	ENU	<i>[Signature]</i>	
X1	"TOOL THOMAS & BETTS # WT-203" ADDED.	2.20.67	Ø	WHD	<i>[Signature]</i>	
SYM	DESCRIPTION	DATE	CH. NO.	DRAFTS	CHECKER	ENG. APP.
UNLESS OTHERWISE SPECIFIED DIMENSIONS ARE IN INCHES AND INCLUDE CHEMICALLY APPLIED OR PLATED FINISHES		SCALE	<i>[Signature]</i>			
DECIMALS .X ± .05 .XX ± .01 .XXX ± .005	TOLERANCES	FRACTIONS ± 1/64 ANGLES ± 0° 30'	CODE C	S 401 70 (2276)		
SEE SPECS.		MATERIAL		THE TECHNICAL MATERIEL CORP. MAMARONECK, NEW YORK		
SEE SPECS.		STOCK SIZE		PLUG, CONNECTOR		
SEE SPECS.		MATERIAL		SERIES "BNC"		
TYPE & TEMPER		HEAT TREAT. SPEC.		3-22-66 H. AUSTIN	<i>[Signature]</i>	<i>[Signature]</i>
FINISH & SPEC. NO.		ELEC. DES. APP.		MECH. DES. APP.		PL 202

REQ. PER. UNIT	USED ON			PL-208
	MODEL	ASS'Y. NO.	DATE	
1	GPE-1		6-30-61	



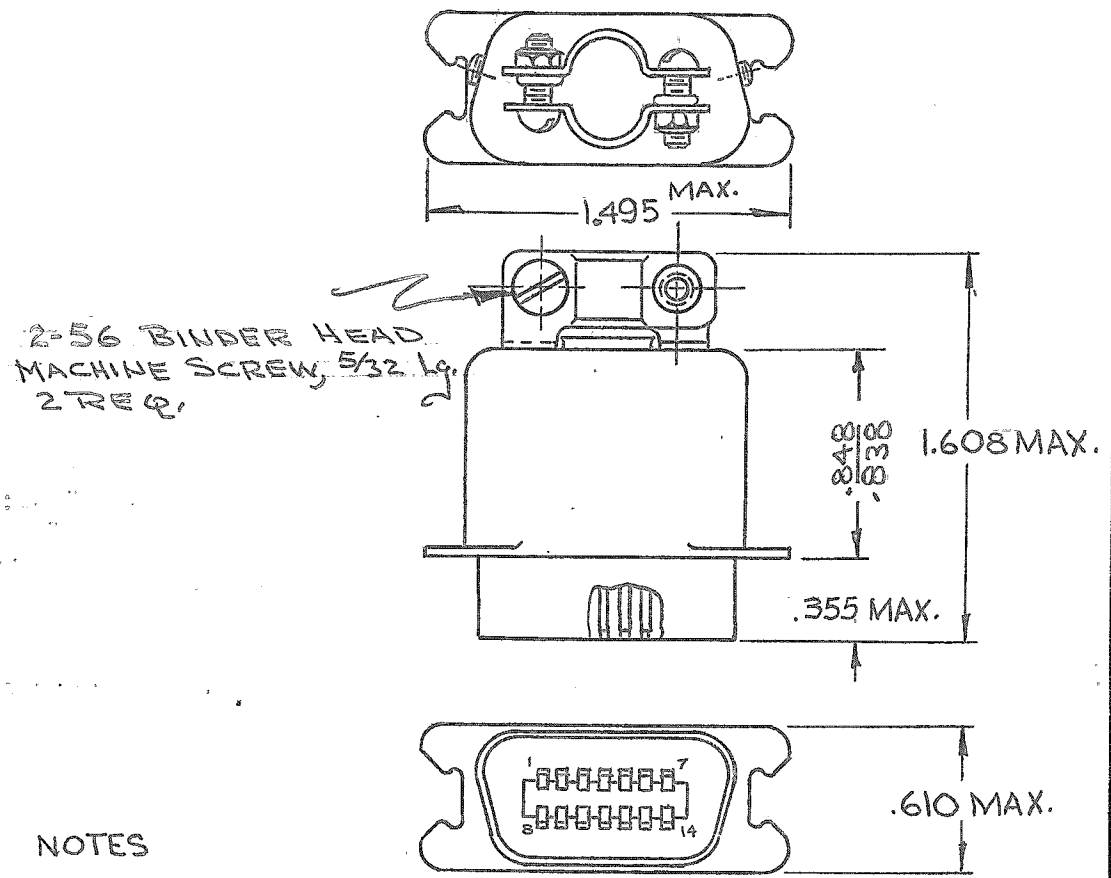
REF. ~ HIRSCHMAN # MAS-6

								REQ.	ITEM	PART NO.	DESCRIPTION			SYMBOL					
											THE TECHNICAL MATERIEL CORP.								
											MAMARONECK, NEW YORK								
								STEEL			PLUG, CONNECTOR								
								MATERIAL											
ISSUE	ITEM	CHANGED FROM	DATE	CH. NO.	DRAFTS	CHECKER	ENG. APP.			<i>G. De Luca</i> DRAWN		<i>H. De Luca</i> CHECKED		<i>[Signature]</i> FINAL APPROVAL					
TOLERANCES			SCALE:					TYPE & TEMPER		HEATTREAT. SPEC.		DRAWN		CHECKED		FINAL APPROVAL			
DEC. DIM. ±			MAXIMUM ALLOWABLE TOLERANCES HAVE BEEN DETERMINED AND ANY DEVIATIONS WILL BE CAUSE FOR REJECTION. REMOVE ALL BURRS AND SHARP EDGES					NICKEL PLATE				<i>[Signature]</i> DRAWN		<i>[Signature]</i> CHECKED		PL-208			
FRAC. DIM. ±								FINISH & SPEC. NO.		ELEC. DES. APP		MECH. DES. APP							
ANGULAR DIM. ±																			

TMC NO.	MFR. NO.	# OF CONTACTS	MAX. CABLE
PL-213-14	57-30140	14	.422 DIA.

REQ. PER UNIT	USED ON		PL-213
	MODEL	ASS'Y. NO.	
	DVC-1		

CONTACT DATA:
 TYPE: MALE
 STYLE: RIBBON
 CURRENT RATING: 5A
 DCWV: 700V
 MATERIAL: SILVER
 FINISH: GOLD PLATE
 MAXIMUM WIRE SIZE: #20 (AWG)
 DIELECTRIC MATERIAL: DIALLYL PHTHALATE
SHELL DATA:
 TYPE: ENCLOSING
 MATERIAL: BRASS
 FINISH: CADMIUM PLATED



NOTES
 1. TO BE USED ONLY IN CONJUNCTION WITH "TELE-SIG" EQUIP.
 2. MATES WITH JJ-248

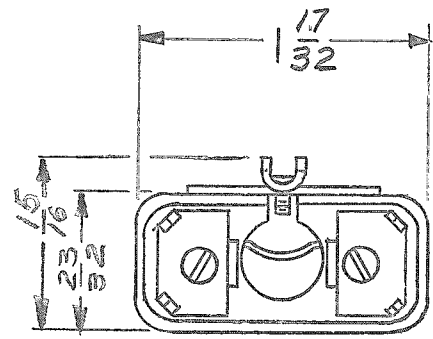
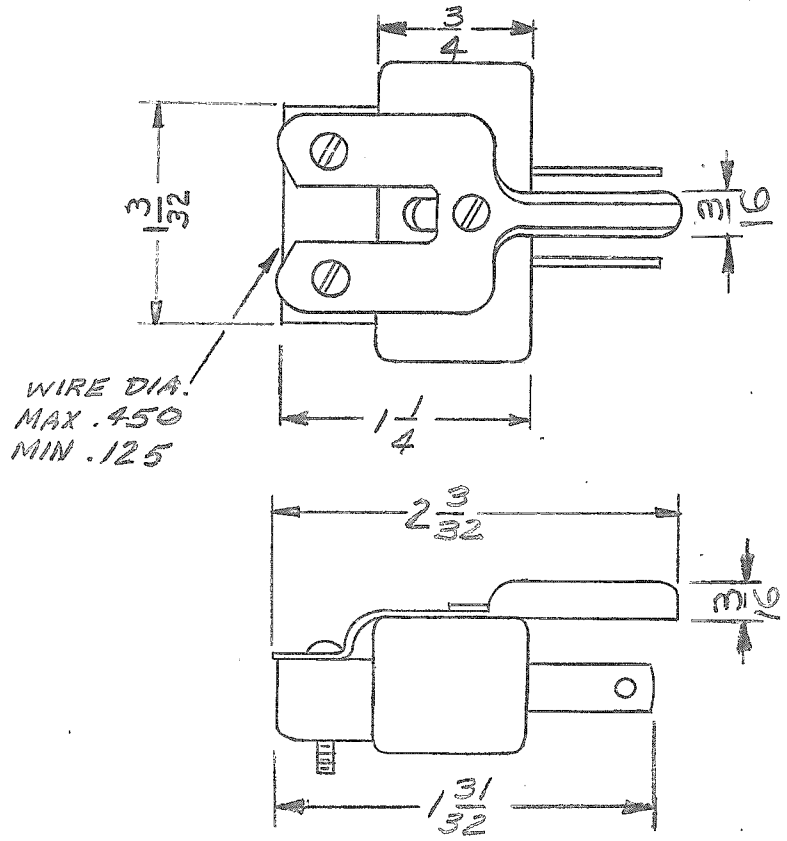
REQ. ITEM	PART NO.	I. JOHNSON DESCRIPTION		SYMBOL
		THE TECHNICAL MATERIEL CORP. MAMARONECK, NEW YORK		
	STOCK SIZE	CONNECTOR, PLUG, ELECTRICAL		
	MATERIAL	W/HOOD		
SYM	DESCRIPTION	DATE	CH. NO.	DRAFTS
	UNLESS OTHERWISE SPECIFIED DIMENSIONS ARE IN INCHES AND INCLUDE CHEMICALLY APPLIED OR PLATED FINISHES	SCALE	S401-71	
DECIMALS	FRACTIONS	CODE		
.X ± .05	± 1/64			
.XX ± .01	ANGLES			
.XXX ± .005	± 0° 30'			
TYPE & TEMPER	HEAT TREAT. SPEC.	DRAWN	CHECKED	FINAL APPROVAL
		<i>AK</i> 7/14/63	<i>HO</i> 5/14/63	<i>BT</i>
FINISH & SPEC. NO.	ELEC. DES. APP.	MECH. DES. APP.	PL-213	

THE CONTENTS OF THIS DRAWING ARE THE EXCLUSIVE PROPERTY OF THE TECHNICAL MATERIEL CORP. ITS UNAUTHORIZED USE OR REPRODUCTION IN WHOLE OR IN PART IS STRICTLY FORBIDDEN.

REQ. PER UNIT	USED ON		
	MODEL	ASS'Y. NO.	DATE
1	GPT 10K		12-1-61

PL-218

B



3 PRONG POLARIZED PLUG WITH REMOVABLE GROUND CONNECTION.

REF. MIL C3767/4

REQ.	ITEM	PART NO.	DESCRIPTION			SYMBOL	
			THE TECHNICAL MATERIEL CORP. MAMARONECK, NEW YORK				
B	COMPLETELY REDIMENSIONED MIL REF. ADDED.	11/16-15187	AVV	gfb	TC		
A	DRAWING WAS PL-172	11-31-61 5955	GG			CONNECTOR, PLUG, 3 PRONG, AC	
SYM	DESCRIPTION	DATE	CH. NO.	DRAFTS	CHECKER	ENG. APP.	
UNLESS OTHERWISE SPECIFIED: DIMENSIONS ARE IN INCHES TOLERANCES ON FRAC. ± 1/64 DEC. ± .005 ANGLES ± 1/2°		SCALE: S401-413 (UP-121-M)		MAXIMUM ALLOWABLE TOLERANCES HAVE BEEN DETERMINED AND ANY DEVIATIONS WILL BE CAUSE FOR REJECTION. REMOVE ALL BURRS AND SHARP EDGES			
		TYPE & TEMPER	HEAT TREAT. SPEC.	DRAWN	CHECKED	FINAL APPROVAL	
		FINISH & SPEC. NO.	ELEC. DES. APP.	MECH. DES. APP.	PL-218 B		

THE CONTENTS OF THIS DRAWING ARE THE EXCLUSIVE PROPERTY OF THE TECHNICAL MATERIEL CORP. ITS UNAUTHORIZED USE OR REPRODUCTION IN WHOLE OR IN PART IS STRICTLY FORBIDDEN.

REQ. PER UNIT

USED ON

MODEL

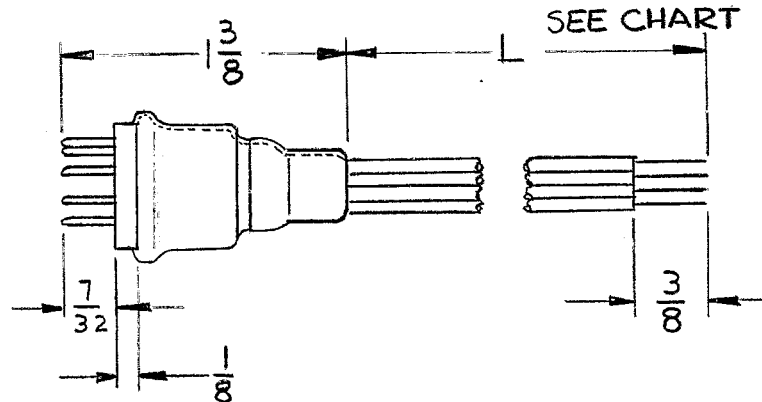
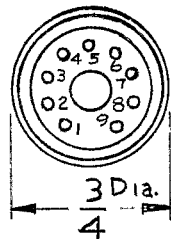
ASS'Y. NO.

DATE

PL-219

A

TMC PART NO.	MFG. CAT. NO.	NUMBER OF LEADS	CONNECT WIRE COLOR SHOWN TO PIN NO.									WIRE LENGTH "L"
			Pin 1	Pin 2	Pin 3	Pin 4	Pin 5	Pin 6	Pin 7	Pin 8	Pin 9	
PL-219-1	909	NONE	NC	NC	NC	NC	NC	NC	NC	NC	NC	0"
PL-219-2	909C	8	Black	Yellow	Green	White	Red	Orange	Brown	Grey	NC	5"
PL-219-3												
PL-219-4												
PL-219-5												



NC = No Connection
 All Leads will be Std. 22 Ga. Stranded Insulated Wire (Mil Type MWC22(7)U__
 Free End will be Stripped & Tinned $\frac{3}{16}$ "

REQ.	ITEM	PART NO.	DESCRIPTION			SYMBOL
			THE TECHNICAL MATERIEL CORP. MAMARONECK, NEW YORK			
			PLUG, 9 PIN MINIATURE CONNECTOR			
A	DRAWING WAS PL-184	11-30-61	5955	GG	SK WMC	
SYM	DESCRIPTION	DATE	CH. NO.	DRAFTS	CHECKER	ENG. APP.
UNLESS OTHERWISE SPECIFIED: DIMENSIONS ARE IN INCHES TOLERANCES ON FRAC. $\pm 1/64$ DEC. $\pm .005$ ANGLES $\pm 1/2^\circ$		SCALE: S401-163		MAXIMUM ALLOWABLE TOLERANCES HAVE BEEN DETERMINED AND ANY DEVIATIONS WILL BE CAUSE FOR REJECTION. REMOVE ALL BURRS AND SHARP EDGES		
		TYPE & TEMPER	HEAT TREAT. SPEC.	DRAWN	CHECKED	FINAL APPROVAL
		FINISH & SPEC. NO.	ELEC. DES. APP.	MECH. DES. APP.	PL-219	A

THE CONTENTS OF THIS DRAWING ARE THE EXCLUSIVE PROPERTY OF THE TECHNICAL MATERIEL CORP. ITS UNAUTHORIZED USE OR REPRODUCTION IN WHOLE OR IN PART IS STRICTLY FORBIDDEN.

REQ. PER UNIT

USED ON

MODEL

ASS'Y. NO.

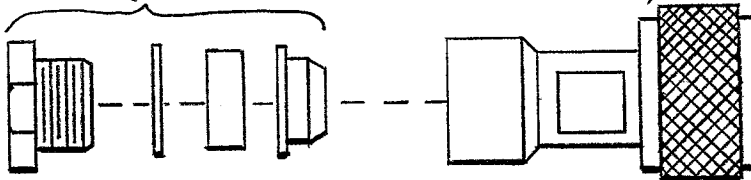
DATE

3-23-62

PL-222

SLEEVE TYPE
INSERTS

BODY TYPE
UG-59 /



SPECIFICATIONS

SERIES ~ "HN"

NO OF CONTACTS ~ ONE

TYPE OF CONTACT ~ MALE

DIELECTRIC ~ TEFLON

ELECTRICAL DATA

MAX. PEAK OPER. VOLT ~ 5,000V

NOM. IMPEDANCE ~ 50Ω

CABLE ACCOMODATIONS

TYPE ~ RG-165/U

MAX. O.D ~ .410"

MATERIAL

EXTERNAL PARTS ~ BRASS

CONTACT ~ BRASS

INSULATION ~ TEFLON

FINISH

EXT. PARTS ~ SILVER PLATE

CONTACT ~ SILVER PLATE

REQ.	ITEM	PART NO.	DESCRIPTION				SYMBOL
			THE TECHNICAL MATERIEL CORP. MAMARONECK, NEW YORK				
			STOCK SIZE				
			MATERIAL				
			CONNECTOR, PLUG, RF FOR - RG - 165/U				
SYM	DESCRIPTION	DATE	CH. NO.	DRAFTS	CHECKER	ENG. APP.	
UNLESS OTHERWISE SPECIFIED: DIMENSIONS ARE IN INCHES TOLERANCES ON		SCALE: S401-70-(2478)					
FRAC. ± 1/64 DEC. ± .005 ANGLES ± 1/2°		MAXIMUM ALLOWABLE TOLERANCES HAVE BEEN DETERMINED AND ANY DEVIATIONS WILL BE CAUSE FOR REJECTION. REMOVE ALL BURRS AND SHARP EDGES					
A		TYPE & TEMPER		HEAT TREAT. SPEC.		DRAWN	CHECKED
		FINISH & SPEC. NO.		ELEC. DES. APP.		MECH. DES. APP.	PL-222

THE CONTENTS OF THIS DRAWING ARE THE EXCLUSIVE PROPERTY OF THE TECHNICAL MATERIEL CORP. ITS UNAUTHORIZED USE FOR REPRODUCTION IN WHOLE OR IN PART IS STRICTLY FORBIDDEN.

REQ. PER UNIT

USED ON

MODEL

ASS'Y. NO.

DATE

1-17-63

PL-223

A

SPECIFICATIONS:

Series - QDM
 No. of Contacts - ONE
 Type of Contact - MALE
 Dielectric - TEFLON

ELECTRICAL DATA:

Max. Peak Opr. Volt - 500 VOLTS
 Freq. Limit - 10,000 MCS
 Nominal Impedance - 50 OHMS

CABLE ACCOMMODATIONS:

Type - RG-59/U, RG-62/U

MATING ACCOMMODATIONS:

Type - QDM

MATERIAL:

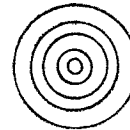
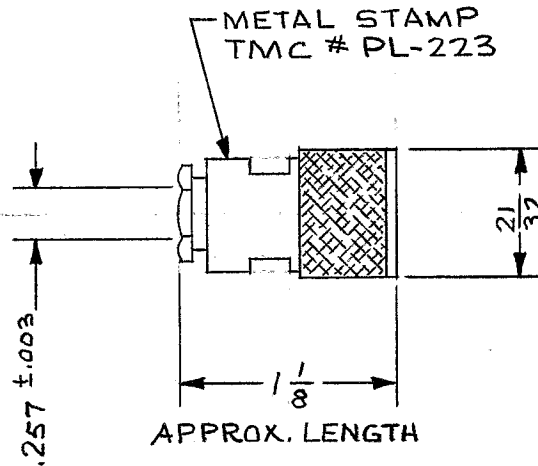
External Parts - BRASS
 Contact - BERYLLIUM COPPER
 Gasket - SILICONE RUBBER

FINISH:

External Parts - SILVER PLATE,
 RHODIUM FINISH
 Contact - SILVER PLATE,
 GOLD FLASH

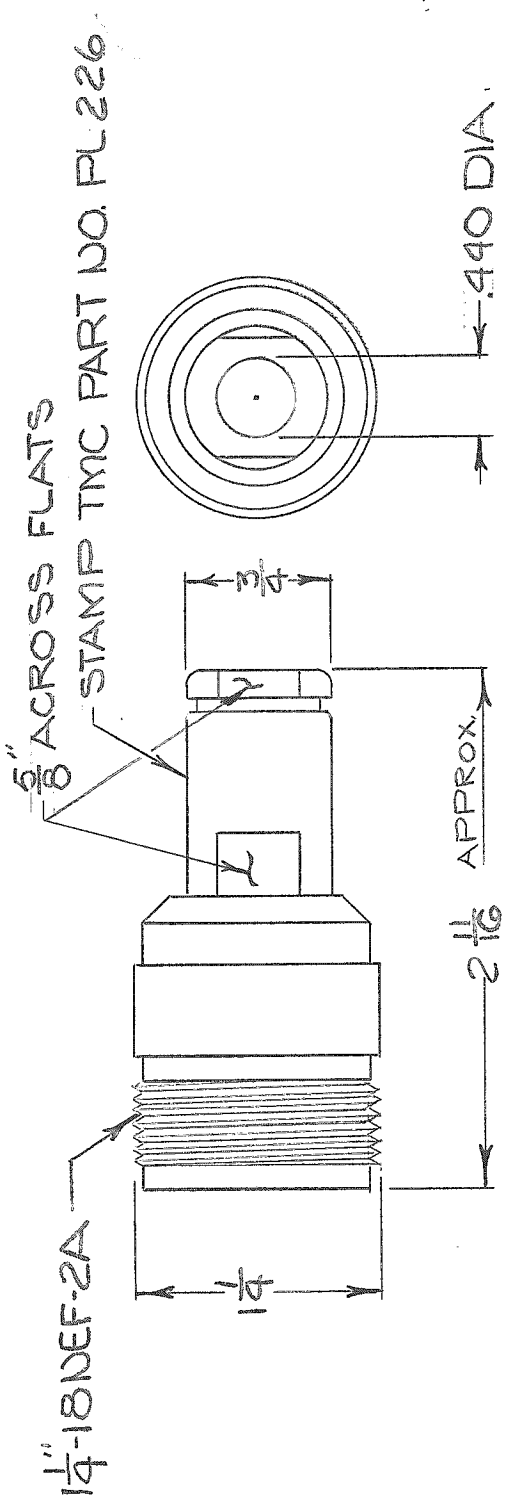
PANEL:

Max. Thickness - NONE



							REQ.	ITEM	PART NO.	MARTINENGO	DESCRIPTION	SYMBOL		
										THE TECHNICAL MATERIEL CORP. MAMARONECK. NEW YORK				
							STOCK SIZE			CONNECTOR, PLUG				
A	TYPE OF CONTACT WAS FEMALE		12-5-66	17402	RME	QCAB	QC	SEE NOTES		QDM TO RG-59/U, RG-62/U				
SYM	DESCRIPTION		DATE	CH. NO.	DRAFTS	CHECKER	ENG. APP.	MATERIAL						
UNLESS OTHERWISE SPECIFIED DIMENSIONS ARE IN INCHES AND INCLUDE CHEMICALLY APPLIED OR PLATED FINISHES			SCALE						M. TANTILLO					
DECIMALS .X ± .05 .XX ± .01 .XXX ± .005			FRACTIONS ± 1/64 ANGLES ± 0° 30'		CODE		S401-70-3051		TYPE & TEMPER		HEAT TREAT. SPEC.	DRAWN	CHECKED	FINAL APPROVAL
TOLERANCES							SEE NOTES						PL-223	
							FINISH & SPEC. NO.		ELEC. DES. APP.		MECH. DES. APP.		A	

APPLICATION			REVISIONS						
QTY	MODEL USED ON	ASSY NO.	LTR	DESCRIPTION	DATE	E.M.N.NO	DRAFT	CHKD	APPD
			X1	COMPLETELY REV. & REDRAWN	10-3-67		R.G.		
			0	ORIG. RELEASE FOR PROD.	10-23-67	0	R.G.		



SPECIFICATIONS
 SERIES: LC
 NO. OF CONTACTS: ONE (1)
 TYPE OF CONTACT: FEMALE (CAPTIVATED)
 DIELECTRIC: TEFLON

ELECTRICAL DATA
 MAX. PEAK OP. VOLT: 5000 V
 FREQ. LIMIT: 10,000 MHZ
 NOMINAL IMPEDANCE: 50 OHMS
CABLE ACCOMODATIONS
 TYPES: RG 8, 9, 213, 214, 216/U
MATERIAL:

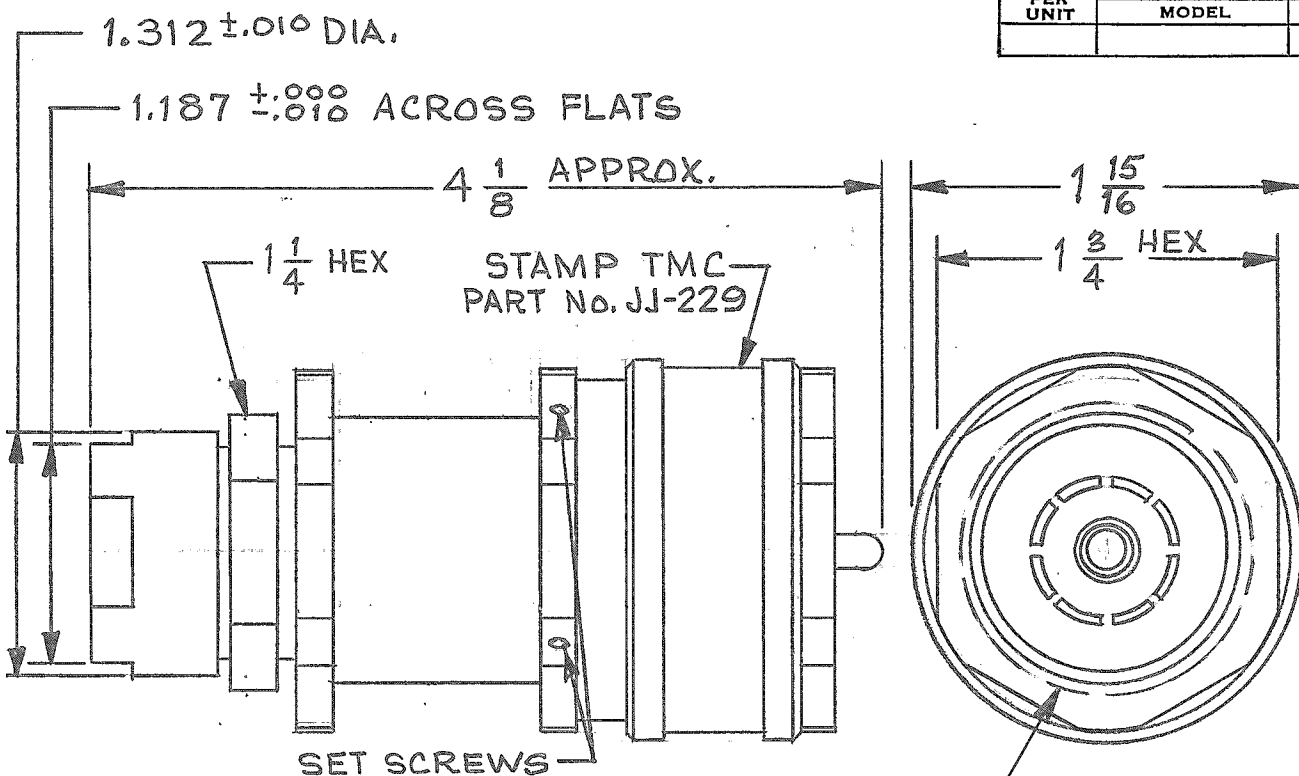
EXTERNAL PARTS: BRASS
 MALE CONTACT: BRASS
 FEMALE CONTACT: BERYLLIUM COPPER
 GASKET: SILICONE RUBBER

FINISH
 EXTERNAL PARTS: SILVER PLATE
 CONTACT: SILVER PLATE
 MATING CONNECTOR: CG-154 A/U

UNLESS OTHERWISE SPECIFIED DIMENSIONS ARE IN INCHES AND INCLUDE CHEMICALLY APPLIED OR PLATED FINISHES	REQ'D	ITEM	PART NUMBER	DESCRIPTION	SYM.
DECIMALS				LIST OF MATERIAL	
X ± .05				THE TECHNICAL MATERIEL CORP.	
.XX ± .01				MAMARONECK, NEW YORK	
.XXX ± .005				RECEPTACLE, CONNECTOR	
				LC(F) TO CABLE RG/U	
MATERIAL					
FINISH					
5401-70 (TRU-3928)					
				SIZE	ISSUE
				A	0
				CODE IDENT. NO.	DWG NO.
				82679	PL 226
				SCALE 1:1	SHEET 1 OF 1

NOTICE TO PERSONS RECEIVING THIS DRAWING
 THE TECHNICAL MATERIEL CORPORATION claims proprietary right in the material disclosed hereon. This drawing is issued in confidence for engineering information only and may not be reproduced or used to manufacture anything shown hereon without permission from THE TECHNICAL MATERIEL CORPORATION to the user. This drawing is loaned for mutual assistance and is subject to recall at any time.

REQ. PER UNIT	USED ON			PL-229
	MODEL	ASS'Y. NO.	DATE	



SPECIFICATIONS:
 Series - QDL
 No. of Contacts - ONE (1)
 Type of Contacts - MALE (SEMI-CAPTIVE)
 Dielectric - TEFLON

ELECTRICAL DATA:
 Max. Peak Opr. Volt -
 Freq. Limit - 1000 MCS
 Nominal Impedance - 50 OHMS

CABLE ACCOMMODATIONS:
 Type - RG-17, 18, 164, 217, 218, 219/U

MATING ACCOMMODATIONS:
 Type - QDL

MATERIAL:
 External Parts - BRASS
 Contact - BERYLLIUM COPPER
 Gasket - SILICONE RUBBER

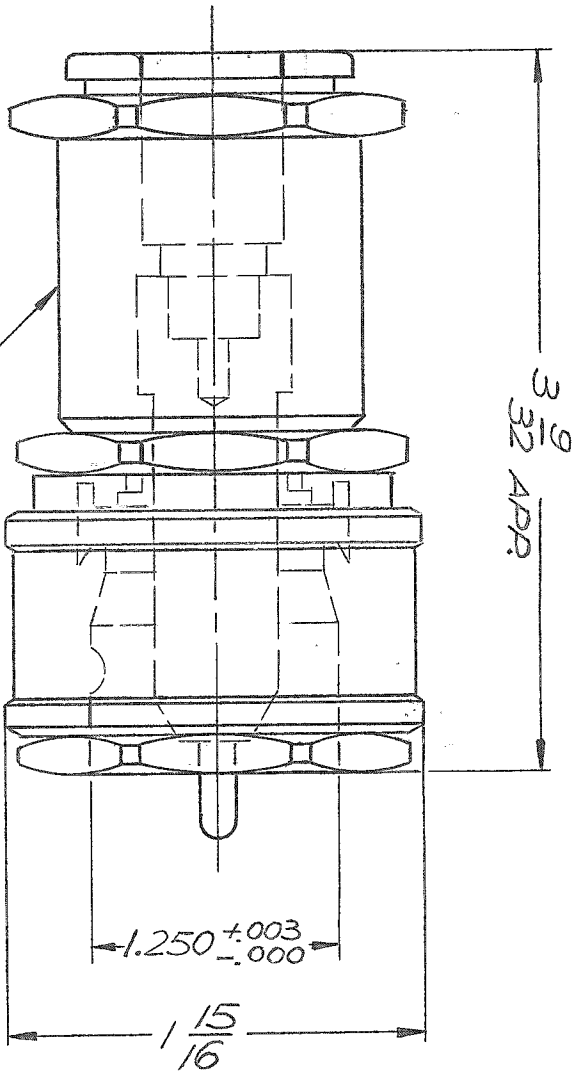
FINISH:
 External Parts - RHODIUM
 Contact - GOLD FLASH

NOTES:
 1- CENTER CONDUCTOR SEMI-CAPTIVATED,
 2- SAFETY LOCK; TMC PART NBR-CU-137.
 3- REPLACEMENT FOR PL-136.
 4- TOOLS REQUIRED FOR INSTALLATION TO CABLE:
 THOMAS & BETTS
 #21 DISC ON POWER TOOL T2B-13642
 #21 DISC ON HAND TOOL WT-117
 HAND TOOL TBM-2

1	3	ID-291	INSTALLATION INSTRUCTION
1	2	TP-120	DIELECTRIC DRESSING TOOL
1	1	WR-100-1	WRENCH, HEX

SYM	DESCRIPTION	DATE	CH. NO.	DRAFTS	CHECKER	ENG. APP.	REQ. ITEM	PART NO.	MARTINENGO DESCRIPTION	SYMBOL	
UNLESS OTHERWISE SPECIFIED DIMENSIONS ARE IN INCHES AND INCLUDE CHEMICALLY APPLIED OR PLATED FINISHES							THE TECHNICAL MATERIEL CORP. MAMARONECK, NEW YORK				
SCALE							STOCK SIZE				
MATERIAL							PLUG CONNECTOR				
TYPE & TEMPER							QDL (M) TO CABLE				
HEAT TREAT. SPEC.							M TANTILLO 10-5-63				
DRAWN							Jde 10/13				
CHECKED							BP				
FINAL APPROVAL							PL-229				
FINISH & SPEC. NO.							ELEC. DES. APP. MECH. DES. APP.				
DECIMALS .X ± .05 .XX ± .01 .XXX ± .005							TOLERANCES ± 1/64 ANGLES ± 0° 30'				
FRACTIONS							CODE S401-70-2947				

APPLICATION			REVISIONS						
QTY	MODEL USED ON	ASSY NO.	LTR	DESCRIPTION	DATE	E.M.N.NO	DRAFT	CHKD	APPD
			X	EXPERIMENTAL RELEASE	11.5.68		K.H.		<i>[Signature]</i>
			Q	ORIG. RELEASE	12.3.68			S.D.	<i>[Signature]</i>



DIELECTRIC: TEFLON

UNLESS OTHERWISE SPECIFIED DIMENSIONS ARE IN INCHES AND INCLUDE CHEMICALLY APPLIED OR PLATED FINISHES		REQ'D ITEM	PART NUMBER	DESCRIPTION	SYM.
DECIMALS FRACTIONS		LIST OF MATERIAL			
X ± .03	1/64	FINAL APPROV	DATE	THE TECHNICAL MATERIEL CORP.	
.XX ± .01	ANGLES	MECH. DES.	DATE	MAMARONECK, NEW YORK	
.XXX ± .005	0° - 30°	ELECT. DES.	DATE	CONNECTOR, PLUG QDL	
MATERIAL		CHECKED	DATE	CABLE 421-103	
FINISH		DRAWN	DATE	SCALE	
SA01-70(2706)		11/12/68		SIZE A	
		12/1/68		CODE IDENT. NO. 82679	
				DWG NO. PL - 232	
				SHEET OF	
				ISSUE	

NOTICE TO PERSONS RECEIVING THIS DRAWING
 THE TECHNICAL MATERIEL CORPORATION claims proprietary right in the material disclosed hereon. This drawing is issued in confidence for engineering information only and may not be reproduced or used to manufacture anything shown hereon without permission from THE TECHNICAL MATERIEL CORPORATION to the user. This drawing is loaned for mutual assistance and is subject to recall at any time.

THE CONTENTS OF THIS DRAWING ARE THE EXCLUSIVE PROPERTY OF THE TECHNICAL MATERIEL CORP. ITS UNAUTHORIZED USE FOR REPRODUCTION IN WHOLE OR IN PART IS STRICTLY FORBIDDEN.

REQ. PER UNIT

USED ON

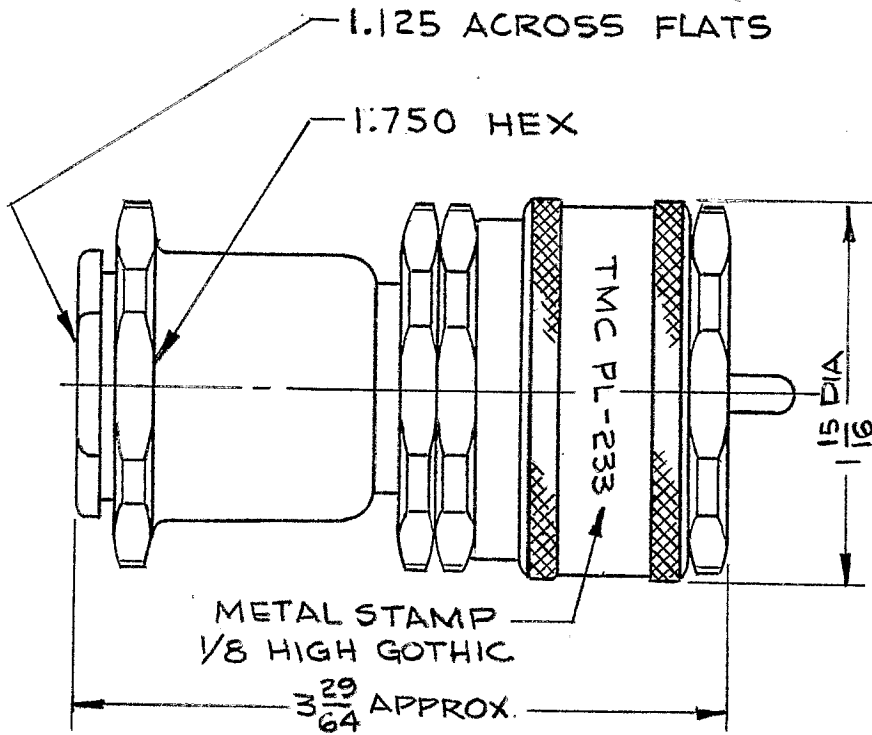
MODEL

ASS'Y. NO.

DATE

6-7-63

PL-233



SPECIFICATIONS:

Series - QDL
 No. of Contacts - One (1)
 Type of Contact - Male
 Dielectric - Teflon

ELECTRICAL DATA:

Max. Peak Opr. Volt - 10,000 V.
 Freq. Limit - 1,000 MC
 Nominal Impedance - 50 Ohms

CABLE ACCOMMODATIONS:

Type - RG-211/U

MATERIAL:

External Parts - Brass
 Contact - Brass
 Gaskets - Silicone Rubber
 Contact Fingers - Beryllium
 Copper

FINISH:

External Parts - Silver Plate
 and Rhodium Flash
 Contact, Fingers - Silver Plate
 and Gold Flash

REQ. ITEM	PART NO.	MATERIAL	DESCRIPTION	SYMBOL
			THE TECHNICAL MATERIEL CORP. MAMARONECK, NEW YORK	
			CONNECTOR, PLUG	
			QDL, CABLE RG-211/U	
			DRAWN: <i>JCB</i> CHECKED: <i>JCB</i> 6/11/63 FINAL APPROVAL: <i>YFH</i> 6/14/63	
				PL-233

SYM	DESCRIPTION	DATE	CH. NO.	DRAFTS	CHECKER	ENG. APP.
	UNLESS OTHERWISE SPECIFIED DIMENSIONS ARE IN INCHES AND INCLUDE CHEMICALLY APPLIED OR PLATED FINISHES					
		SCALE	NONE			
		CODE	S401-70(2952)			

THE CONTENTS OF THIS DRAWING ARE THE EXCLUSIVE PROPERTY OF THE TECHNICAL MATERIEL CORP. ITS UNAUTHORIZED USE FOR REPRODUCTION IN WHOLE OR IN PART IS STRICTLY FORBIDDEN.

REQ. PER UNIT

USED ON

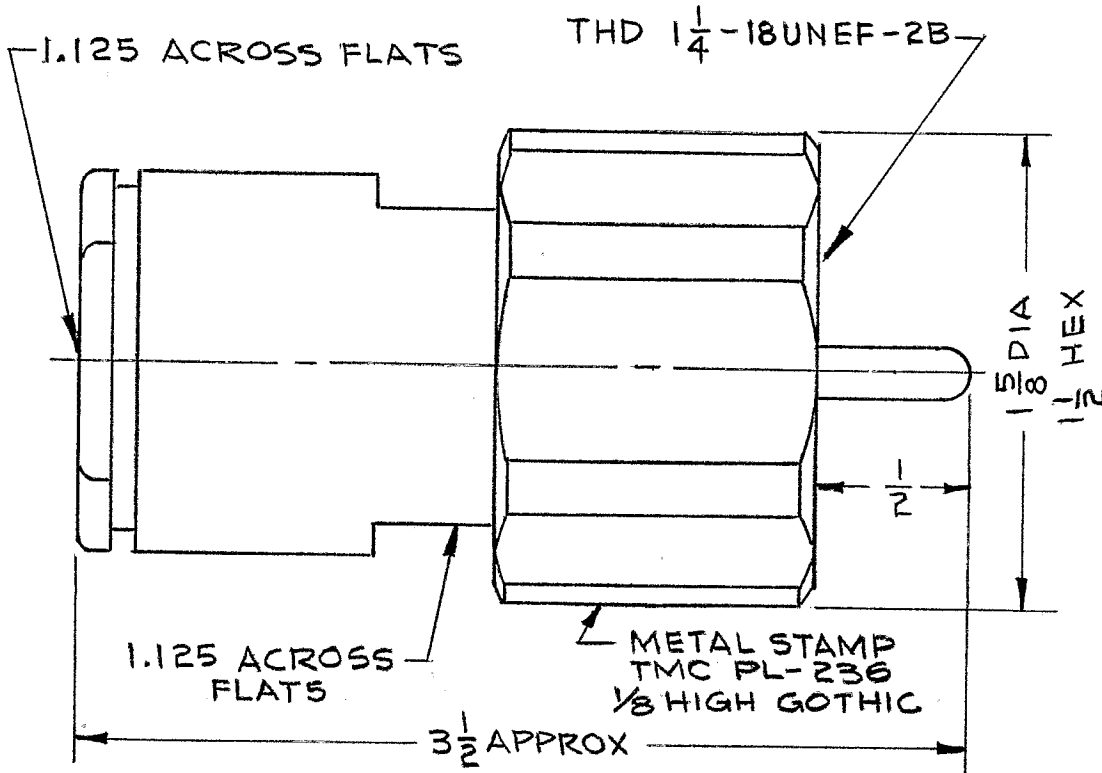
MODEL

ASS'Y. NO.

DATE

6-7-63

PL-236



SPECIFICATIONS:

Series - LC (10)
No. of Contacts - One (1)
Type of Contact - Male
Dielectric - Teflon

ELECTRICAL DATA:

Max. Peak Opr. Volt - 10,000 V.
Freq. Limit - 1,000 MC
Nominal Impedance - 50 Ohms

CABLE ACCOMMODATIONS:

Type - RG-211/U

MATING ACCOMMODATIONS:

Type -

MATERIAL:

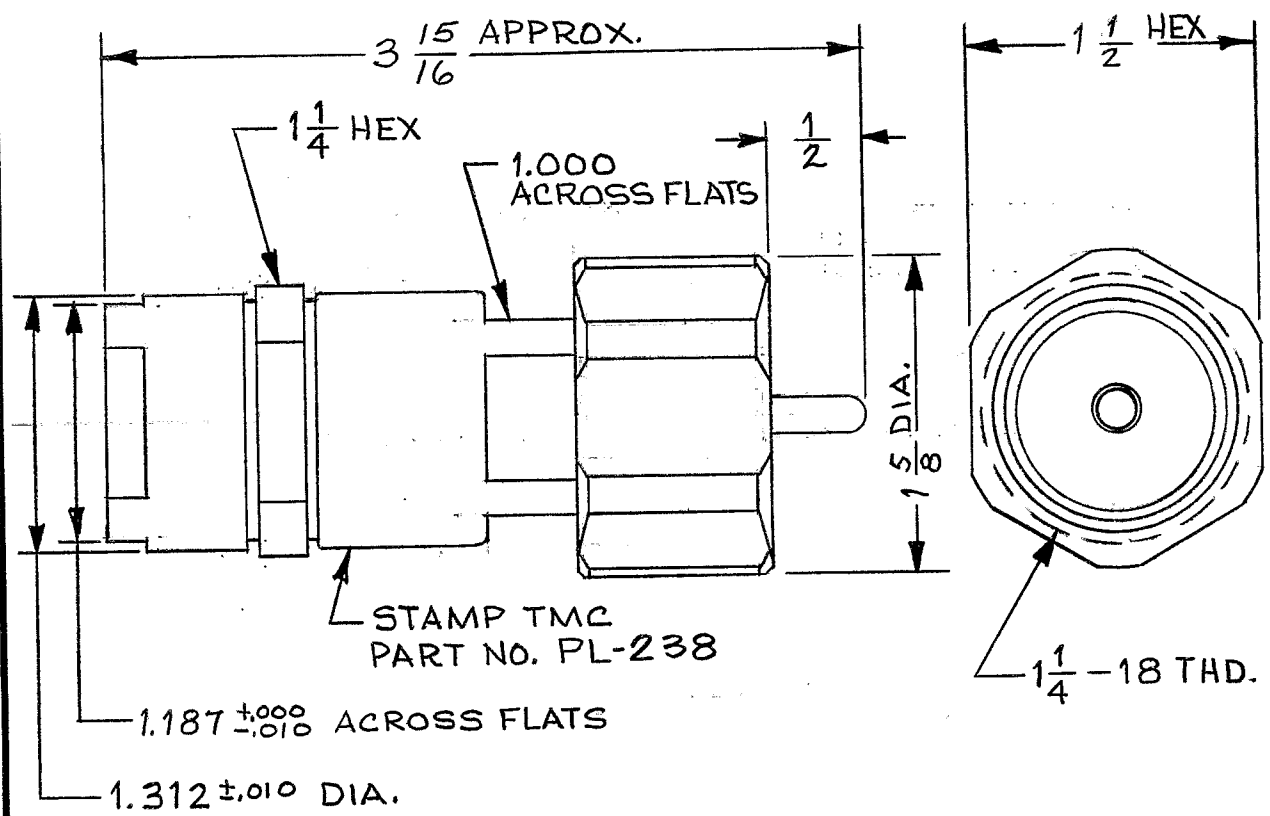
External Parts - Brass
Contact - Brass
Gaskets - Silicone Rubber
Contact Fingers - Beryllium
Copper

FINISH:

External Parts - Silver Plate
and Rhodium Flash
Contact, Fingers - Silver Plate
and Gold Flash

SYM	DESCRIPTION	DATE	CH. NO.	DRAFTS	CHECKER	ENG. APP.	REQ. ITEM	PART NO.	MARTINENGO DESCRIPTION	SYMBOL
									THE TECHNICAL MATERIEL CORP. MAMARONECK, NEW YORK	
									CONNECTOR, PLUG	
									LC 10 TO CABLE RG-211/U	
									6.14.63	
									CHECKED	
									MECH. DES. APP.	
									PL-236	

REQ. PER UNIT	USED ON		
	MODEL	ASS'Y. NO.	DATE
			PL-238



SPECIFICATIONS:
 Series - LC
 No. of Contacts - ONE (1)
 Type of Contact - MALE (CAPTIVE)
 Dielectric - TEFLON

ELECTRICAL DATA:
 Max. Peak Opr. Volt - 5,000 V
 Freq. Limit - 1,000 MCS
 Nominal Impedance - 50 OHMS

CABLE ACCOMMODATIONS:
 Type - RG-17,18,218,219/U

MATING ACCOMMODATIONS:
 Type -

MATERIAL:
 External Parts - BRASS
 Contact - BERYLLIUM COPPER
 Gasket - SILICONE RUBBER

FINISH:
 External Parts - RHODIUM
 Contact - GOLD FLASH

PANEL:
 Max. Thickness NONE

NOTE:
 1-REPLACEMENT FOR UG-154/U.
 2-CENTER CONDUCTOR CAPTIVATED.

REQ.	ITEM	PART NO.	MARTINENG'D	DESCRIPTION	SYMBOL
				THE TECHNICAL MATERIEL CORP. MAMARONECK, NEW YORK	
				STOCK SIZE	
				MATERIAL	
				PLUG, CONNECTOR LC (M) TO CABLE	
			M. TANTILLO 10-4-63	10/4/63	BP
			TYPE & TEMPER	HEAT TREAT. SPEC.	DRAWN
					CHECKED
					FINAL APPROVAL
					10-5-63
					PL-238
				FINISH & SPEC. NO.	ELEC. DES. APP. MECH. DES. APP.

SYMBOL	DESCRIPTION	DATE	CH. NO.	DRAFTS	CHECKER	ENG. APP.
	UNLESS OTHERWISE SPECIFIED DIMENSIONS ARE IN INCHES AND INCLUDE CHEMICALLY APPLIED OR PLATED FINISHES	SCALE				
DECIMALS .X ± .05 .XX ± .01 .XXX ± .005	TOLERANCES	FRACTIONS ± 1/64 ANGLES ± 0° 30'	CODE	S401-70-		

STANDARD DRAWING

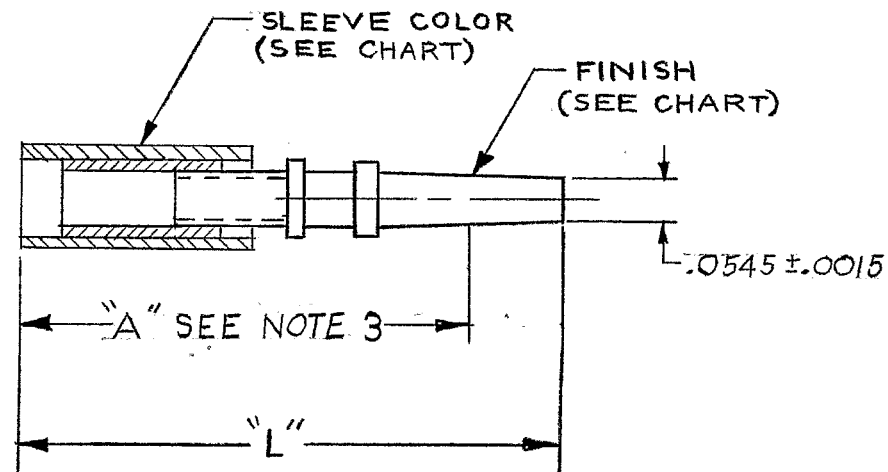
TMC PART NO.	MFRS PART NO.	"A"	"L" ±.030	SLEEVE COLOR	FINISH	WIRE SIZE
PL 242-1	42574-3	.580	.720	YELLOW	GOLD	24-22
PL 242-2	42927-3	.580	.720	BLUE	GOLD	.26
PL 242-3	42575-3	.580	.715	NATURAL	GOLD	20-18
PL 242-4	42637-3	.580	.715	BLACK	GOLD	16

REQ. PER UNIT	USED ON		
	MODEL	ASS'Y. NO.	DATE
LPP-4	CA-855	CA-856	3/13/64
		CA-875	
		CA-883	
	VLRB-1	CA-935	10/9/64
	VLRB-1	CA-937	10-9-64
	DDRR506		3-10-65
	TSTE10K		3-10-65

PL-242 B

NOTES:

- 1-MATERIAL - PIN (BRASS)
SLEEVING (NYLON)
- 2-CRIMPING TOOL-MFG. P/N-90015
- 3-MAX. INSTALLED EXTENSION, SEE CHART.
- 4-USED WITH TM 126, TM128 TERMINAL BOARDS.

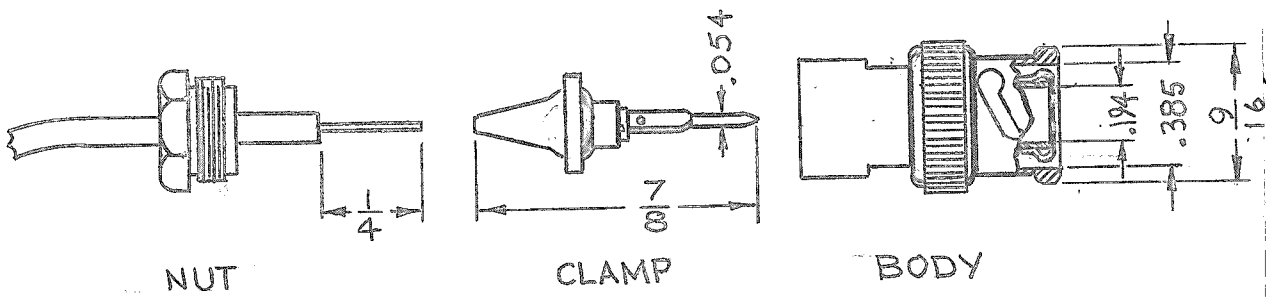


SYM	DESCRIPTION	DATE	CH. NO.	DRAFTS	CHECKER	ENG. APP.	REQ. ITEM	PART NO.	I. JOHNSON	DESCRIPTION	SYMBOL	
B	-3, -4, & WIRE SIZE COL. ADD. TO CHART; U/O: "DDRR506" & "TSTE10K" ADD.	3-12-65	13694	2P	JOB							
A	PL 242-2 ADDED TO CHART, U/O UPDATED, ON PICT. IT4 ADDED.	10-12-64	12615	2P	JOB							
O	ORIGINAL RELEASE FOR PRODUCTION	4-10-64		A.M.	@							
X	EXPERIMENTAL RELEASE	3/25		NP	@							
UNLESS OTHERWISE SPECIFIED DIMENSIONS ARE IN INCHES AND INCLUDE CHEMICALLY APPLIED OR PLATED FINISHES							SCALE					
DECIMALS .X ± .05 .XX ± .01 .XXX ± .005							FRACTIONS ± 1/64 ANGLES ± 0° 30'		CODE C		S401-279	
							TYPE & TEMPER		HEAT TREAT. SPEC.		DRAWN	
											MECH. DES. APP.	
							FINISH & SPEC. NO.		ELEC. DES. APP.		MECH. DES. APP.	
									N. Peters @ 4-10-64		PL-242 B	

STANDARD DRAWING

REQ. PER UNIT	USED ON			PL-244 B
	MODEL	ASS'Y. NO.	DATE	
—	STANDARD	—	4-2-64	

TMC P/N	MFG P/N	CABLE ACCOMMODATED	REPLACES
PL244-1	30220-13	RG174/U	PL240 PL169

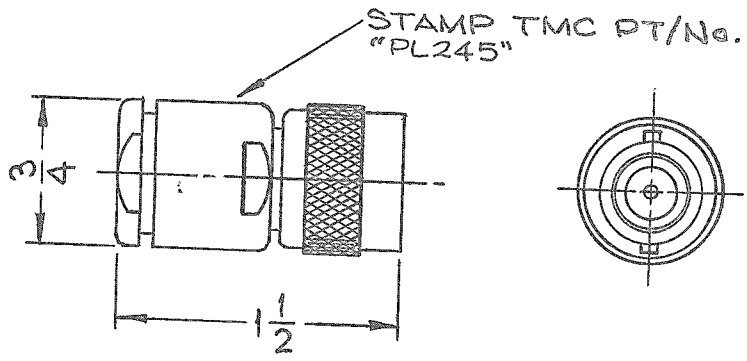
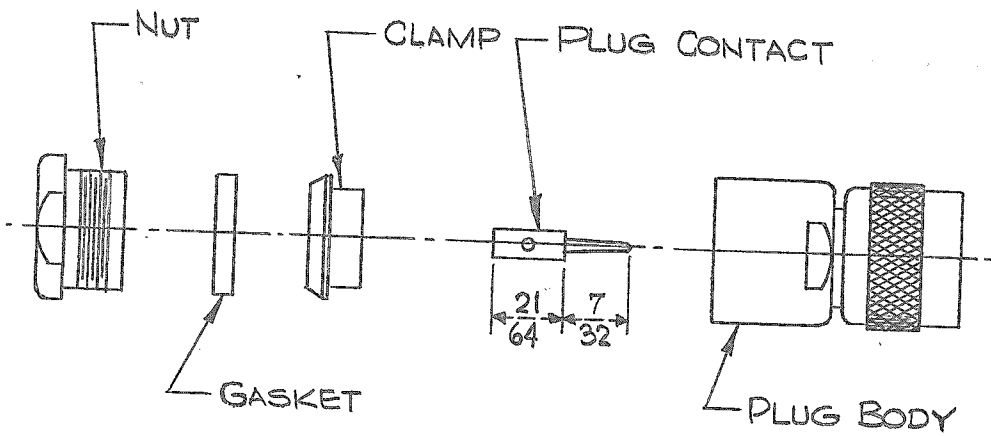


- ### SPECIFICATIONS
- 1- QUANTITY OF CONTACTS: ONE
 - 2- QUANTITY OF MATING CONTACTS: ONE
 - 3- CONTACT DATA
 - (A) TYPE: MALE
 - (B) STYLE: PIN
 - (C) VOLTAGE RATING: 500V PEAK
 - (D) MATERIAL: BRASS
 - (E) FINISH: GOLD OR SILVER PLATE
 - 4- DIELECTRIC: POLYTETRAFLUOROETHYLENE
 - 5- SHELL DATA
 - (A) TYPE: INCLOSING
 - (B) MATERIAL: BRASS
 - (C) FINISH: SILVER PLATE
 - 6- IMPEDANCE: 50 OHMS NOMINAL
 - 7- POLARIZATION; BAYONET
 - 8- LOCKING: TWIST
 - 9- CABLE ACCOMMODATION DATA:
 - (A) COAX CABLE: SEE CHART
 - 10- MATES WITH BNC RECEPTACLE.

NOTE:
APPROXIMATE ASSEMBLED LENGTH 1 1/16

B	COMPLETELY REVISED PER EMN, 14019	5.7.65	14019	dr.	ACB	REQ.	ITEM	PART NO.	CARMARZDA	DESCRIPTION	SYMBOL
A	"REPLACES" COLUMN ADDED	9.16.64	12370	WB	a	—			THE TECHNICAL MATERIEL CORP. MAMARONECK, NEW YORK		
O	ORIGINAL RELEASE FOR PRODUCTION	4-10-64		A.M.	Q	SEE SPEC.			CONNECTOR, PLUG, BNC, CRIMP TYPE		
X	EXPER. RELEASE	4-2-64	1	G. Jensen	Q	MATERIAL					
SYM	DESCRIPTION	DATE	CH. NO.	DRAFTS	CHECKER	ENG. APP.	UNLESS OTHERWISE SPECIFIED DIMENSIONS ARE IN INCHES AND INCLUDE CHEMICALLY APPLIED OR PLATED FINISHES			SCALE	
							TYPE & TEMPER	HEAT TREAT. SPEC.	DRAWN	CHECKED	FINAL APPROVAL
							SEE SPEC.	SEE SPEC.	G. Jensen @ 4-10-64	RAJ	
							FINISH & SPEC. NO.	ELEC. DES. APP.	MECH. DES. APP.	PL-244	B
DECIMALS .X ± .05 .XX ± .01 .XXX ± .005		FRACTIONS ± 1/64 ANGLES ± 0° 30'		TOLERANCES		CODE C	5401-133				

REQ. PER UNIT	USED ON			PL 245	Ø
	MODEL	ASS'Y. NO.	DATE		



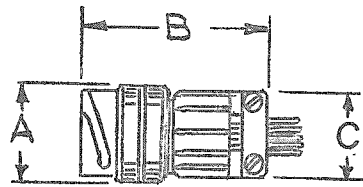
SPECIFICATIONS

SERIES : "C"
 NO. OF CONTACTS : ONE (1)
 TYPE OF CONTACT : MALE
 DIELECTRIC : TEFLON
ELECTRICAL DATA :
 MAX. PEAK OPR. VOLT : 1,500 V
 FREQ. LIMIT : 10,000 MHZ
 NOMINAL IMPEDANCE : CONSTANT FOR 50 OHMS
CABLE ACCOMODATIONS :
 TYPE : RG-8/U , RG-9/U
MATERIAL :
 EXTERNAL PARTS : BRASS
 CONTACT : BERYLLIUM COPPER
 GASKET : SILICONE
FINISH :
 EXTERNAL PARTS : SILVER PLATE, RHODIUM FLASH.
 CONTACT : SILVER PLATE, GOLD FLASH
MATING CONNECTOR : JJ 309
 (FOR STANDARD "C" SERIES USE UG 573/U)

Ø	ORIGINAL RELEASE	8/26/69					REQ. ITEM	PART NO.	MARTINENGO DESCRIPTION	SYMBOL		
X2	SPEC & ELECT. DATA UPDATED	9.20.67		ENJ					THE TECHNICAL MATERIEL CORP. MAMARONECK, NEW YORK			
X1	"PT/No Note added	2.20.67	4	WVW					PLUG, CONNECTOR			
SYM	DESCRIPTION	DATE	CH. NO.	DRAFTS	CHECKER	ENG. APP.			"C" SERIES SPECIAL			
UNLESS OTHERWISE SPECIFIED DIMENSIONS ARE IN INCHES AND INCLUDE CHEMICALLY APPLIED OR PLATED FINISHES							SCALE					
DECIMALS .X ± .05 .XX ± .01 .XXX ± .005	TOLERANCES	FRACTIONS ± 1/64 ANGLES ± 0° 30'	CODE C	S401-70()								
							SEE SPECS.					
							TYPE & TEMPER	HEAT TREAT. SPEC.	3-23-66 H. AUSTIN	DRAWN	CHECKED	
							FINISH & SPEC. NO.				FINAL APPROVAL	
											PL 245	Ø
										ELEC. DES. APP.	MECH. DES. APP.	

STANDARD DRAWING

					REQ. PER UNIT	USED ON			PL 248 Ø
						MODEL	ASS'Y. NO.	DATE	
						RAK-51		1-4-65	
TMC P/N	MFG. P/N	CONTACTS		WIRE SIZE	A MAX.	B MAX.	C MAX.	CONSTRUCTION	MATES WITH
		TYPE	QUAN.						
PL248-1	67-01C18-24S	SOCKET	24	20	1.232	1.870	1.185	C	PL212-3
PL248-2	67-01C18-64S	SOCKET	14	16	1.232	1.870	1.185	C	PL212-1



"C" CONSTRUCTION-WITH STANDARD CABLE CLAMP FOR UNJACKETED INDIVIDUAL WIRE LEADS.

SPECIFICATIONS

OPERATING TEMP: -55°C TO +125°C
 VOLTAGE RATING: 500V RMS
 CURRENT RATING
 NO. 16 CONTACTS: 17.0 AMPS
 NO. 20 CONTACTS: 7.5 AMPS

TO MEET REQUIREMENTS OF MIL-C5015

STANDARD DRAWING

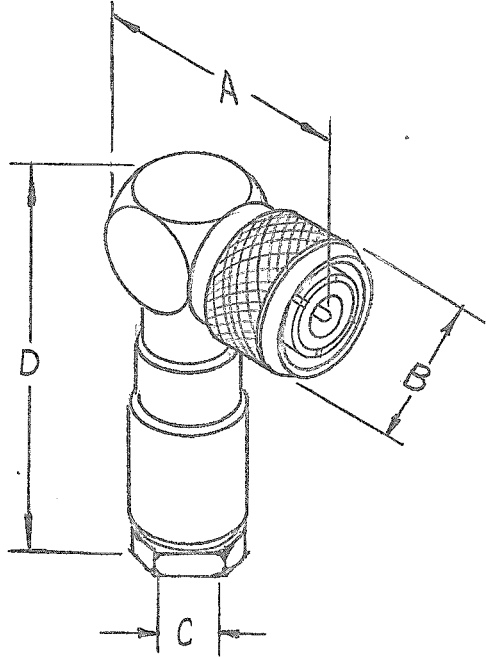
								REQ. ITEM	PART NO.	DESCRIPTION	SYMBOL		
Ø	ORIGINAL RELEASE FOR PRODUCTION	1-13-65	Ø	Ø				*	STOCK SIZE	THE TECHNICAL MATERIEL CORP. MAMARONECK, NEW YORK			
X	EXPER. RELEASE	1-5-65		G.D.L.				*		CONNECTOR, PLUG			
SYM	DESCRIPTION	DATE	CH. NO.	DRAFTS	CHECKER	ENG. APP.			MATERIAL	CABLE TO CABLE			
UNLESS OTHERWISE SPECIFIED DIMENSIONS ARE IN INCHES AND INCLUDE CHEMICALLY APPLIED OR PLATED FINISHES						SCALE DO NOT SCALE				G.D.L	@	Rac	
DECIMALS .X ± .05 .XX ± .01 .XXX ± .005	TOLERANCES	FRACTIONS ± 1/64 ANGLES ± 0° 30'	CODE C	S401-71					TYPE & TEMPER	HEAT TREAT, SPEC.	DRAWN	CHECKED	FINAL APPROVAL
								*				PL 248 Ø	
									FINISH & SPEC. NO.	ELEC. DES. APP.	MECH. DES. APP.		

STANDARD DRAWING

TMC P/N	MFR P/N	A	B	C	D	WT LBS	USED WITH RG-U CABLE	REQ. PER UNIT	USED ON			PL253	Ø
								MODEL	ASS'Y. NO.	DATE			
PL253-1	82-856	1/2	7/8	.444	2.5/16	.172	8,9,9A,10	TST()2.5K			10-20-66		

SPECIFICATIONS

TYPE: HN 90° ANGLE
 NO. OF CONTACTS: 1 WITH SHELL GROUND
 NO. OF MATING ENDS: 1
 CABLE USED WITH: RG 8*/U, RG9*/U, RG10*/U
 CONTACT DATA:
 TYPE OF CONTACT: MALE
 STYLE: ROUND PIN
 MATERIAL & FINISH: BRASS SILVER PLATE
 DIELECTRIC: TEFLON
 IMPEDANCE: 50 OHMS
 FREQ RANGE: 0-10 GHz
 VOLTAGE RATING: 1500 V PEAK
 HI POTENTIAL: 5000 VRMS
 TEMPERATURE: -60°C TO 200°C
 SEALING: SILICONE RUBBER GASKETS
 TYPE LOCKING: INTERNAL SCREW THREAD
 THREAD SIZE: 3/4 - 20
 BODY MATERIAL & FINISH: BRASS, SILVER PLATE



REQ. ITEM	PART NO.	F. BUDETTI DESCRIPTION	SYMBOL
		THE TECHNICAL MATERIEL CORP. MAMARONECK, NEW YORK	
Ø	ORIG RELEASE PROD. 12/6/66	PLUG, RIGHT ANGLE - HN	
X	EXP. RELEASE 10-20-66		
FORM	DESCRIPTION	DATE	CH. NO.
UNLESS OTHERWISE SPECIFIED DIMENSIONS ARE IN INCHES AND INCLUDE FINISHES		SCALE	
TOLERANCES	FRACTIONS ± 1/64 ANGLES ± 0° 30'	CODE C	S401-71(82856)
	TYPE & TEMPER	HEAT TREAT. SPEC.	DRAWN
			CHECKED
	FINISH & SPEC. NO.	ELEC. DES. APP.	MECH. DES. APP.
			PL253

UNLESS OTHERWISE SPECIFIED
 DIMENSIONS ARE IN INCHES AND INCLUDE
 FINISHES
 TOLERANCES

DRAWN: [Signature] 12/29/66
 CHECKED: [Signature]
 FINAL APPROVAL: [Signature]
 ELEC. DES. APP.: [Signature] 12/1/66
 MECH. DES. APP.: [Signature]

APPLICATION

QTY MODEL USED ON ASSY NO.

STANDARD

LTR

DESCRIPTION

REVISIONS

DATE

E.M.N.NO

DRAFT

CHKD

APPD

X EXPERIMENTAL RELEASE

B ORIGINAL RELEASE

C.V.

CV

SPECIFICATIONS:

SERIES: QDM
 NO OF CONTACTS: ONE
 TYPE OF CONTACT: MALE
 DIELECTRIC: TEFLON

ELECTRICAL DATA:

MAX PEAK OPR. VOLT: 500 VOLTS
 FREQ. LIMIT: 10,000 MHZ
 NOMINAL IMPEDANCE: 70 OHMS

CABLE ACCOMMODATIONS:

TYPE: RG59/U, RG62/U

MATING ACCOMMODATIONS:

TYPE: QDM

MATERIAL:

EXTERNAL PARTS: BRASS
 CONTACT: BERYLLIUM COPPER
 GASKET: SILICONE RUBBER

FINISH:

EXTERNAL PARTS: SILVER PLATE, RHODIUM FINISH
 CONTACT: SILVER PLATE, GOLD FLASH

PANEL:

MAX THICKNESS: NONE

PURCHASING NOTE: VENDOR MUST INCLUDE THE FOLLOWING INFORMATION WHEN SHIPPING THIS ITEM TO TMC

1. AN OUTLINE DRAWING OR ILLUSTRATION FROM CATALOG SHOWING ALL PERTINENT DIMENSIONS AND TOLERANCES.

2. ELECTRICAL AND/OR MECHANICAL SPECIFICATIONS AS SHOWN IN THEIR CATALOGS

UNLESS OTHERWISE SPECIFIED DIMENSIONS ARE IN INCHES AND INCLUDE CHEMICALLY APPLIED OR PLATED FINISHES	REQ'D	ITEM	PART NUMBER	DESCRIPTION	SYM.
DECIMALS		A. MARTINENGO		LIST OF MATERIAL	
.X ± .05		FINAL APPROVAL			
.XX ± .01		MECH. DES	DATE		
.XXX ± .005		ELECT. DES.	DATE		
		CHECKED	DATE		
		DRAWN	DATE		
MATERIAL				THE TECHNICAL MATERIEL CORP. MAMARONECK, NEW YORK	
FINISH				CONNECTOR, PLUG	
S401-70 (3942)					

NOTICE TO PERSONS RECEIVING THIS DRAWING
 THE TECHNICAL MATERIEL CORPORATION claims proprietary right in the material disclosed hereon. This drawing is issued in confidence for engineering information only and may not be reproduced or used to manufacture anything shown hereon without permission from THE TECHNICAL MATERIEL CORPORATION to the user. This drawing is loaned for mutual assistance and is subject to recall at any time.

SIZE

A

CODE IDENT. NO.

82679

DWG NO.

PL 255

ISSUE

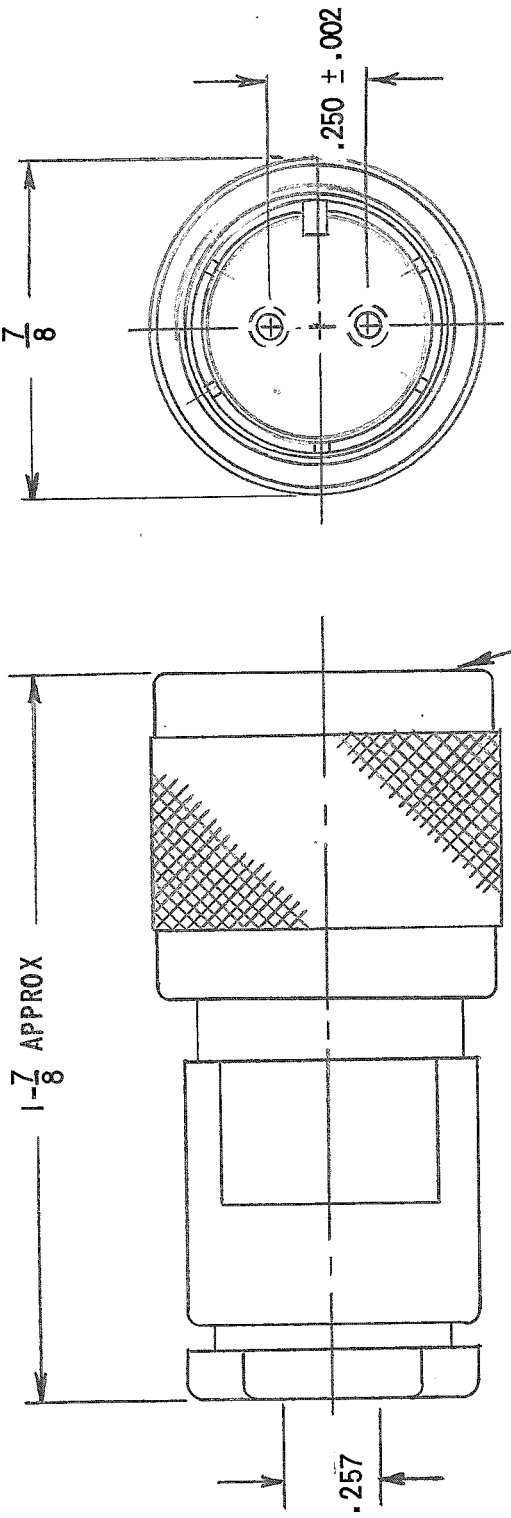
SCALE

SHEET

OF

REVISIONS

QTY	MODEL USED ON	ASSY NO.	LTR	DESCRIPTION	DATE	E.M.N.NO	DRAFT	CHKD	APPD
	STD		X	EXP. RELEASE	1.17.68	+	ASG.	///	dfb
			Ø	ORIGINAL RELEASE	8/26/69		W		

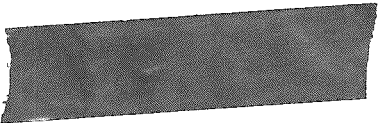


CABLE: RG108/U & RG108A/U
MATERIAL: ALL METAL PARTS: BRASS
 GASKETS: SILICONE OR SYNTHETIC RUBBER
 DIELECTRIC: REXOLITE
FINISH: ALL METAL PARTS: 0.0002" - 0.0003"
 SILVER PLATING

UNLESS OTHERWISE SPECIFIED DIMENSIONS ARE IN INCHES AND INCLUDE CHEMICALLY APPLIED OR PLATED FINISHES	REQ'D	ITEM	PART NUMBER	DESCRIPTION	SYM.
DECIMALS				LIST OF MATERIAL	
FRACTIONS				THE TECHNICAL MATERIEL CORP.	
X ± .05				MAMARONECK, NEW YORK	
.XX ± .01				PLUG, CONNECTOR TWIN UHF	
.XXX ± .005					
MATERIAL					
FINISH					
S401-70 (3410)					
FINAL APPROVAL		DATE	SIZE		
MECH. DES		DATE	CODE IDENT. NO.		DWG NO.
ELECT. DES.		DATE	A		82679
CHECKED		DATE	PL		256
DRAWN		DATE	SCALE		2:1
		DATE	SHEET		OF
		DATE	ISSUE		Ø

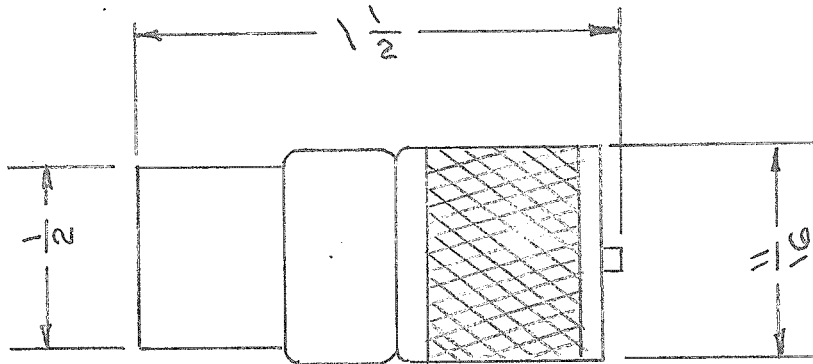
NOTICE TO PERSONS RECEIVING THIS DRAWING
 THE TECHNICAL MATERIEL CORPORATION claims proprietary right in the material disclosed hereon. This drawing is issued in confidence for engineering information only and may not be reproduced or used to manufacture anything shown hereon without permission from THE TECHNICAL MATERIEL CORPORATION to the user. This drawing is loaned for mutual assistance and is subject to recall at any time.

STANDARD DRAWING



REQ. PER UNIT	USED ON			PL-259
	MODEL	ASS'Y. NO.	DATE	

FOR USE WITH CABLES
RG-8, 9, 10, 11, 12, 13/U, 63, 65



INSULATION: MICA FILLED BAKELITE

MATING JACK - 50-239

REF: AMPHENOL 83-15P

REQ.	ITEM	PART NO.	DESCRIPTION				SYMBOL
			THE TECHNICAL MATERIEL CORP. MAMARONECK. NEW YORK				
			STOCK SIZE				
			BRASS				PLUG - NAVY TYPE - 49190
			MATERIAL				SIGNAL CORP TYPE - PL-259
ISSUE	ITEM	CHANGED FROM	DATE	CH. NO.	DRAFTS	CHECKER	ENG. APP.
TOLERANCES			SCALE:				
DEC. DIM. ±			MAXIMUM ALLOWABLE TOLERANCES HAVE BEEN DETERMINED AND ANY DEVIATIONS WILL BE CAUSE FOR REJECTION.				
FRAC. DIM. ±			REMOVE ALL BURRS AND SHARP EDGES				
ANGULAR DIM. ±							
TYPE & TEMPER		HEAT TREAT. SPEC.		DRAWN		CHECKED	
SILVER PLATED				A.J.J.			
FINISH & SPEC. NO.		ELEC. DES. APP.		MECH. DES. APP.		PL-259	

IF IT IS FOUND DESIRABLE TO CHANGE ANY TOLERANCE OR OTHER DETAIL SPECIFIED ON THIS DRAWING NOTIFY THE PURCHASER PROMPTLY.

STANDARD DRAWING

PL-274 B
(UG-363/U)

MAXIMUM ALLOWABLE TOLERANCES HAVE BEEN DETERMINED AND DEVIATIONS WILL BE CAUSE FOR REJECTION.
REMOVE ALL BURRS AND SHARP EDGES

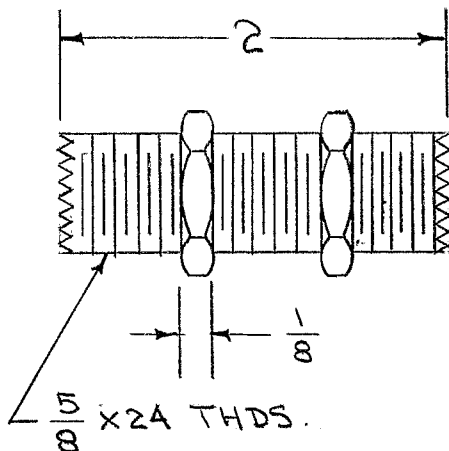
USED ON

MODEL

PROJECT NO.

ASS'Y. NO.

DATE



DOUBLE END BRONZE SLEEVE CONTACT.
BRASS SHELL. SLEEVE & SHELL
SILVER PLATED.
POLYSTYRENE INSERT
NUTS ARE ALUMINUM.

NOTE - PL-274 & UG-363/U
ARE IDENTICAL. USE
EITHER NUMBER

REF: AMERICAN PHENOLIC CORP. No. 83-1F

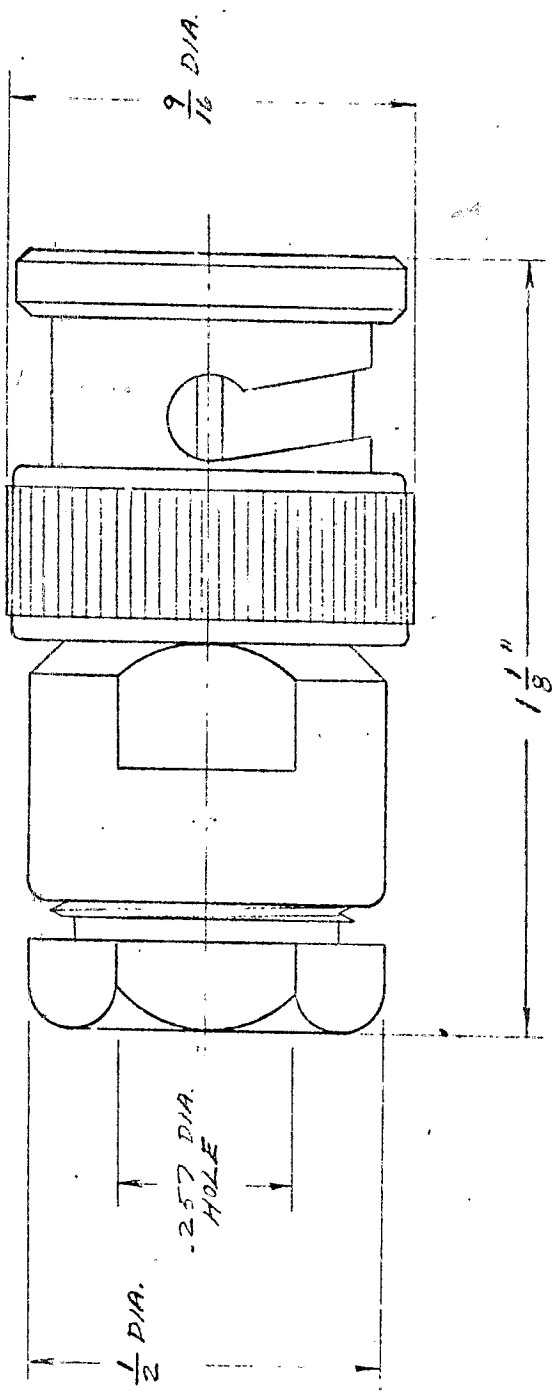
REQ.	ITEM	PART NO.	DESCRIPTION			SYMBOL
		#	THE TECHNICAL MATERIEL CORP.			
		STOCK SIZE	MAMARONECK, NEW YORK			
		#	ADAPTER, BULK HEAD			
		MATERIAL	WEIGHT PER PC.			
B	1	INSERT WAS TEFLON	6/11/6	2	QJP	A.J.J.
A	1	INSERT WAS POLYSTYRENE	9/1/54	1	C.D.D.	A.J.J.
ISSUE	ITEM	CHANGED FROM	DATE	CN. NO.	DRAFTS CHECKER	ENG. APP.
TOLERANCES			SCALE			#
ALL OTHERS	DEC. DIM. ± FRAC. DIM. ± ANGULAR DIM. ±		DRILL, PUNCH, COMMERCIAL STOCK SIZES AND MANUFACTURERS TOLERANCES ARE NOT INCLUDED.			
		TYPE & TEMPER	DRAWN		ELE& DES. APP.	MECH. DES. APP.
		HEAT TREAT. SPEC.	CHECKED		FINAL APPROVAL	
		FINISH & SPEC. NO.			PL-274 B (UG-363/U)	

APPLICATION			REVISIONS						
QTY	MODEL USED ON	ASS'Y NO.	LTR	DESCRIPTION	DATE	E.M.N.NO	DRAFT	CHKD	APPD
	SW477	A5600	Ø	ORIGINAL RELEASE	6-20-74		DV		

Series: BNC 70
 No. of Contacts: one
 Type of Contacts: male
 Dielectric: Teflon
 Cable accomodation: RG-59, 59A, 59B/U
 Max. peak Opr. Voltage: 500 volts
 Nominal impedance: 70 ohms

Material: All metal parts: brass, silver plated and rhodium flashed
 Contact: Brass, silver plated and gold flashed
 Gaskets: Silicone rubber
 Insulator: Teflon

MATES WITH JJ354



UNLESS OTHERWISE SPECIFIED DIMENSIONS ARE IN INCHES AND INCLUDE CHEMICALLY APPLIED OR PLATED FINISHES		REQ'D ITEM	PART NUMBER	DESCRIPTION	SYM.
DECIMALS	FRACTIONS	LIST OF MATERIAL			
.X ± .05	TOLS. 1/64				
.XX ± .01	ANGLES 0°-30'				
.XXX ± .005		THE TECHNICAL MATERIEL CORP. MAMARONECK, NEW YORK			
MATERIAL		FINAL APPROVAL	DATE	PLUG, BNC 70 OHM	
FINISH		MECH. DES.	DATE	SIZE A	CODE IDENT. NO. 82679
		ELECT. DES.	DATE	SCALE	DWG NO. PL 289
		CHECKED	DATE		SHEET OF
S401-70 (#4162)		DRAWN	DATE		ISSUE

NOTICE TO PERSONS RECEIVING THIS DRAWING
 THE TECHNICAL MATERIEL CORPORATION claims proprietary right in the material disclosed hereon. This drawing is issued in confidence for engineering information only and may not be reproduced or used to manufacture anything shown hereon without permission from THE TECHNICAL MATERIEL CORPORATION to the user. This drawing is loaned for mutual assistance and is subject to recall at any time.

REQ. PER UNIT	USED ON			PL 290	Ø
	MODEL	ASS'Y. NO.	DATE		

SPECIFICATIONS

SERIES : LC

NO. OF CONTACTS : ONE (1)

TYPE OF CONTACT : FEMALE (CAPTIVATED)

DIELECTRIC : TEFLON

ELECTRICAL DATA

MAX. PEAK OPR. VOLT : 5000V

FREQ. LIMIT : 10,000 MHZ

NOMINAL IMPEDANCE : 75 OHMS

CABLE ACCOMODATIONS

TYPES : RG 11

MATERIAL

EXTERNAL PARTS : BRASS

MALE CONTACT : BRASS

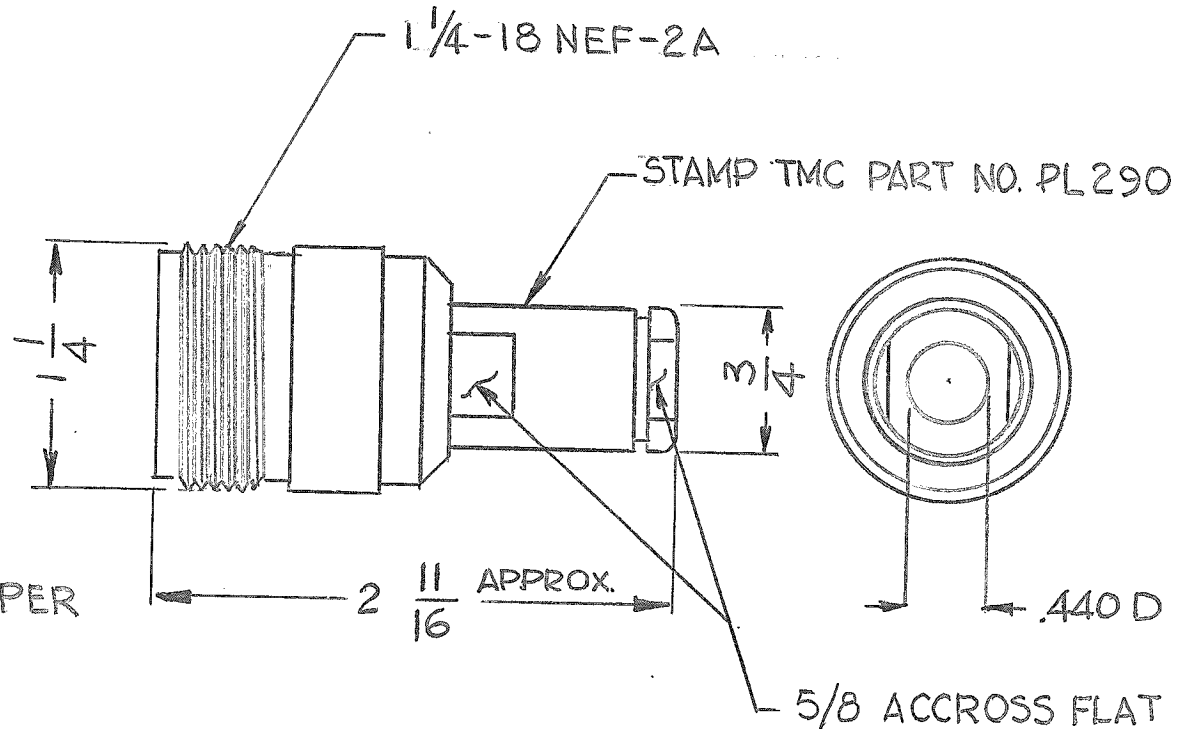
FEMALE CONTACT : BERYLLIUM COPPER

GASKET : SILICONE RUBBER

FINISH

EXTERNAL PARTS : SILVER PLATE

CONTACT : SILVER PLATE



REQ.	ITEM	PART NO.	DESCRIPTION			SYMBOL	
			TMC INDUSTRIAL CORP. MAMARONECK, NEW YORK				
			RECEPTACLE, CONNECTOR				
			LC (F) TO CABLE RG / U				
Ø			G.D.L. <i>[Signature]</i> <i>[Signature]</i>				
ISSUE	ITEM	CHANGED FROM	DATE	CH. NO.	DRAFTS	CHECKER	ENG. APP.
		ORIGINAL RELEASE!	9/2/75				
TOLERANCES			SCALE: S401-70				
DEC. DIM. ±			MAXIMUM ALLOWABLE TOLERANCES HAVE BEEN DETERMINED AND ANY DEVIATIONS WILL BE CAUSE FOR REJECTION. REMOVE ALL BURRS AND SHARP EDGES				
FRAC. DIM. ±							
ANGULAR DIM. ±							
FINISH & SPEC. NO.		ELEC. DES. APP.	MECH. DES. APP.		PL 290		Ø

APPLICATION

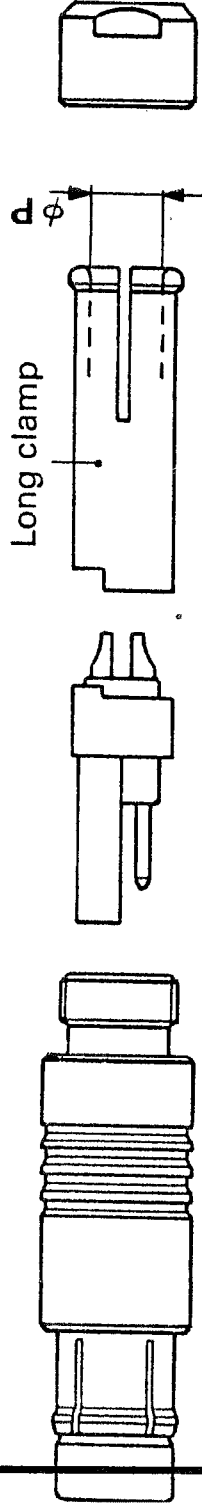
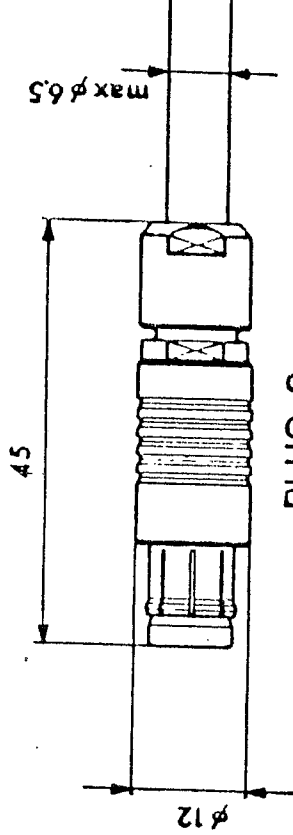
REVISIONS

QTY	MODEL USED ON	ASSY NO.	LTR	DESCRIPTION	DATE	E.M.N.NO	DRAFT	CHKD	APPD
-----	---------------	----------	-----	-------------	------	----------	-------	------	------

1 MMX 4 BMA 568

MATES / JJ-366

RUBBER SLEVE MFG PN
103,00,665.



MFG PN S103A054U5.2 S401-536

REQ'D ITEM	PART NUMBER	DESCRIPTION	SYM.
LIST OF MATERIAL			
THE TECHNICAL MATERIEL CORP. MAMARONECK, NEW YORK			
FINAL APPROVAL	DATE		
MECH. DES.	DATE		
ELECT. DES.	DATE		
CHECKED	DATE		
DRAWN	DATE		
MATERIAL		PLUG, RECP.	
FINISH			

NOTICE TO PERSONS RECEIVING THIS DRAWING
THE TECHNICAL MATERIEL CORPORATION claims proprietary right in the material disclosed hereon. This drawing is issued in confidence for engineering information only and may not be reproduced or used to manufacture anything shown hereon without permission from THE TECHNICAL MATERIEL CORPORATION to the user. This drawing is loaned for mutual assistance and is subject to recall at any time.

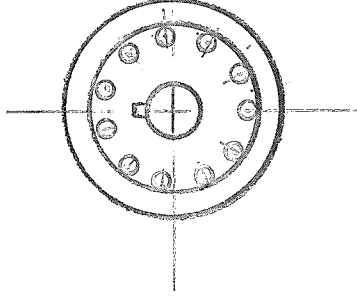
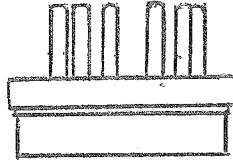
SIZE A
CODE IDENT. NO. 82679
DWG NO. PL-292
ISSUE

SCALE SHEET OF

APPLICATION

REVISIONS

QTY	MODEL USED ON	ASS'Y NO.	LTR	DESCRIPTION	DATE	E.M.N.NO	DRAFT	CHKD	APPD
	574415020								



MFG:
AMPHENOL 86-CP-11

REQ'D	ITEM	PART NUMBER	DESCRIPTION	SYM.
LIST OF MATERIAL				
<p>UNLESS OTHERWISE SPECIFIED DIMENSIONS ARE IN INCHES AND INCLUDE CHEMICALLY APPLIED OR PLATED FINISHES</p> <p>DECIMALS FRACTIONS .X ± .05 TOLS. 1/64 .XX ± .01 ANGLES .XXX ± .005 0°-30°</p>				
FINAL APPROVAL		DATE	THE TECHNICAL MATERIEL CORP.	
MECH. DES.		DATE	MAMARONECK, NEW YORK	
ELECT. DES.		DATE	CONNECTOR RECEPTACLE	
CHECKED		DATE	MALE 11 CONTACT	
DRAWN		DATE	CONNECTOR RECEPTACLE	
		3-22-70		
MATERIAL				
FINISH				
NOTICE TO PERSONS RECEIVING THIS DRAWING		SIZE	CODE IDENT. NO.	DWG NO.
THE TECHNICAL MATERIEL CORPORATION claims proprietary right in the material disclosed hereon. This drawing is issued in confidence for engineering information only and may not be reproduced or used to manufacture anything shown hereon without permission from THE TECHNICAL MATERIEL CORPORATION to the user. This drawing is loaned for mutual assistance and is subject to recall at any time.		A	82679	PL 293
		SCALE	1:1	SHEET OF
		ISSUE		