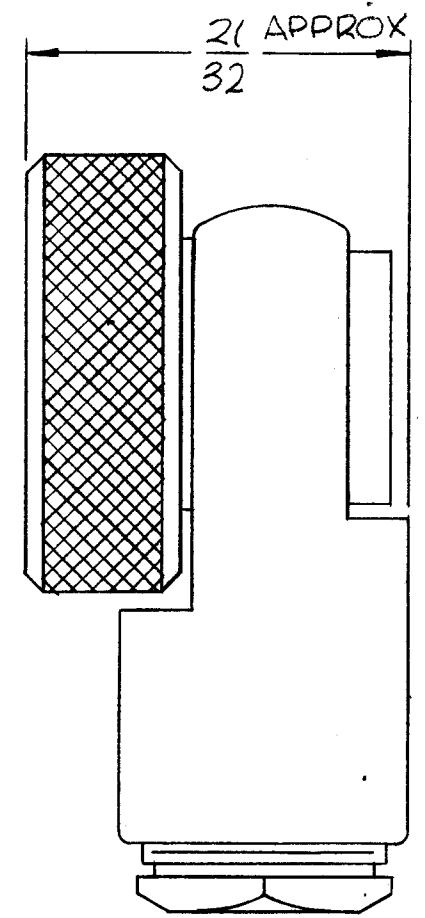
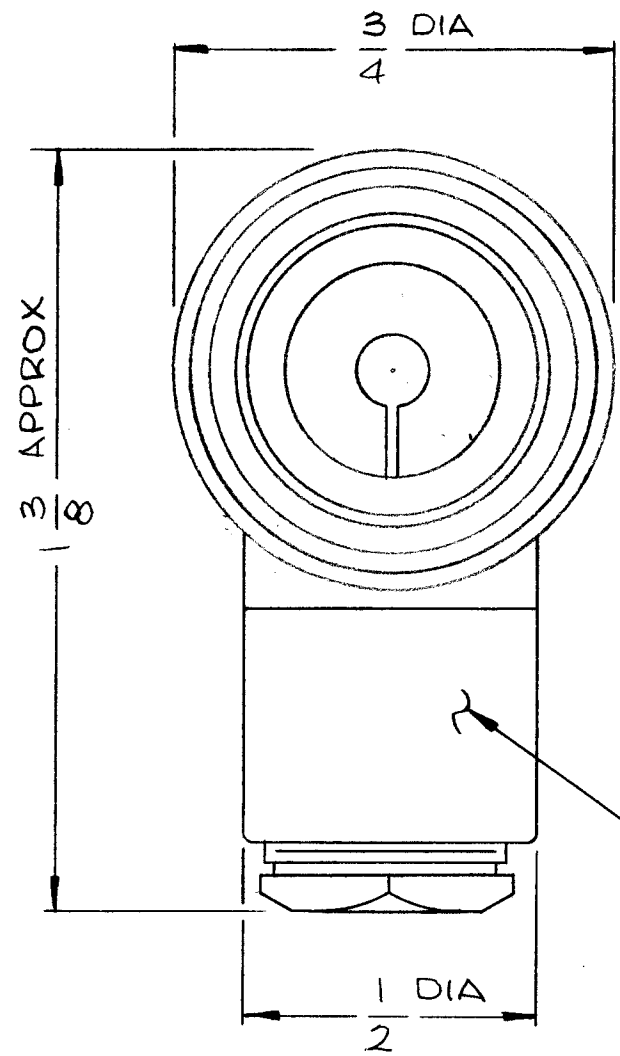


PL254

REVISIONS

SYM	DESCRIPTION	DATE	E.M.N. NO.	DRAFT	CHKD	APPD
Ø	ORIGINAL RELEASE FOR PRODUCTION	1-20-67	Ø	RME		



~ SPECIFICATIONS ~

- 1 - TYPE: 90° ANGLE
- 2 - No. OF CONTACTS: 1 WITH SHELL GROUND
- 3 - No. OF MATING ENDS: 1
- 4 - CABLE USED WITH: RG174*/U
- 5 - CONTACT DATA:
 TYPE OF CONTACT: FEMALE
 STYLE: SPRING
 MAT'L & FINISH: BERYLLIUM COPPER, SILVER PLATE
- 6 - DIELECTRIC: REXOLITE
- 7 - SEALING: SILICONE & BUTYL RUBBER GASKETS
- 8 - TYPE LOCKING: INTERNAL SCREW THREAD
- 9 - THREAD SIZE: 5/8-24
- 10 - BODY MAT'L & FINISH: BRASS, SILVER PLATE (PLATING THICKNESS .0002 TO .0003)

METAL STAMP TMC PT/NO 1/16 HIGH GOTHIC W/LATEST REVISION LETTER

BERYLLIUM COPPER
SILVER PLATE
CONTACT

REQ'D.	ITEM	PART NUMBER	DESCRIPTION	SYMBOL
BUDETTI LIST OF MATERIAL				
MATERIAL		SEE SPECS	THE TECHNICAL MATERIEL CORP. MAMARONECK, NEW YORK	
FINISH		SEE SPECS	TITLE PLUG, RIGHT ANGLE	
UNLESS OTHERWISE SPECIFIED DIMENSIONS ARE IN INCHES AND INCLUDE CHEMICALLY APPLIED OR PLATED FINISHES			DRAWN <i>[Signature]</i> DATE 12.22.66	FINAL APPROVAL <i>[Signature]</i> DATE 1/19/67
DECIMALS .X ± .05 .XX ± .01 .XXX ± .005			TOLERANCES ± 1/64 ANGLES ± 0° 30'	ELECT. DES. <i>[Signature]</i> DATE MECH. DES. <i>[Signature]</i> DATE
THE CONTENTS OF THIS DRAWING ARE THE EXCLUSIVE PROPERTY OF THE TECHNICAL MATERIEL CORP. ITS UNAUTHORIZED USE OR REPRODUCTION IN WHOLE OR IN PART IS STRICTLY FORBIDDEN.			PL254	Ø
			SHEET	REV. LTR.

Q'TY./UNIT	MODEL USED ON	ASS'Y. NO.
DO NOT SCALE	TST() 2.5K	RAK110-2
SCALE	CODE	5401-70(3932)

NOTES