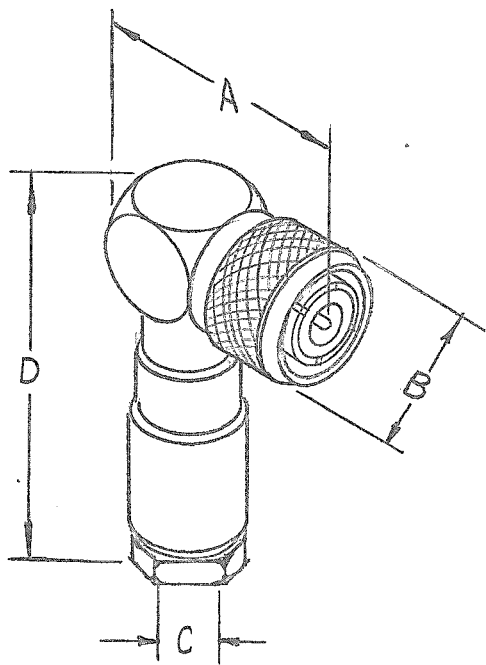


STANDARD DRAWING

TMC P/N	MFR P/N	A	B	C	D	WT LBS	USED WITH RG-U CABLE	REQ. PER UNIT	USED ON			PL253	Ø
								MODEL	ASS'Y. NO.	DATE			
PL253-1	82-856	1 1/2	7/8	.444	2.5/16	.172	8,9,9A,10	TST( )2.5K			10-20-66		

SPECIFICATIONS

TYPE: HN 90° ANGLE  
 NO. OF CONTACTS: 1 WITH SHELL GROUND  
 NO. OF MATING ENDS: 1  
 CABLE USED WITH: RG 8\*/U, RG9\*/U, RG10\*/U  
 CONTACT DATA:  
 TYPE OF CONTACT: MALE  
 STYLE: ROUND PIN  
 MATERIAL & FINISH: BRASS SILVER PLATE  
 DIELECTRIC: TEFLON  
 IMPEDANCE: 50 OHMS  
 FREQ RANGE: 0-10 GHz  
 VOLTAGE RATING: 1500 V PEAK  
 HI POTENTIAL: 5000 VRMS  
 TEMPERATURE: -60°C TO 200°C  
 SEALING: SILICONE RUBBER GASKETS  
 TYPE LOCKING: INTERNAL SCREW THREAD  
 THREAD SIZE: 3/4 - 20  
 BODY MATERIAL & FINISH: BRASS, SILVER PLATE



REQ. ITEM	PART NO.	F. BUDETTI DESCRIPTION	SYMBOL
		THE TECHNICAL MATERIEL CORP. MAMARONECK, NEW YORK	
Ø	ORIG RELEASE PROD. 12/6/66	PLUG, RIGHT ANGLE - HN	
X	EXP. RELEASE 10-20-66		
FORM	DESCRIPTION	DATE	CH. NO.
UNLESS OTHERWISE SPECIFIED DIMENSIONS ARE IN INCHES AND INCLUDE FINISHES		SCALE	
TOLERANCES	FRACTIONS ± 1/64 ANGLES ± 0° 30'	CODE C	S401-71(82856)
	TYPE & TEMPER	HEAT TREAT. SPEC.	DRAWN
			CHECKED
			FINAL APPROVAL
	FINISH & SPEC. NO.	ELEC. DES. APP.	MECH. DES. APP.
			PL253

UNLESS OTHERWISE SPECIFIED DIMENSIONS ARE IN INCHES AND INCLUDE FINISHES

DRAWN: [Signature] 12/29/66  
 CHECKED: [Signature]  
 FINAL APPROVAL: [Signature]  
 ELEC. DES. APP.: [Signature] 12/1/66  
 MECH. DES. APP.: [Signature]