

THE CONTENTS OF THIS DRAWING ARE THE EXCLUSIVE PROPERTY OF THE TECHNICAL MATERIEL CORP. ITS UNAUTHORIZED USE FOR REPRODUCTION IN WHOLE OR IN PART IS STRICTLY FORBIDDEN.

REQ. PER UNIT

USED ON

MODEL

ASS'Y. NO.

DATE

1-17-63

PL-223

A

SPECIFICATIONS:

Series - QDM
 No. of Contacts - ONE
 Type of Contact - MALE
 Dielectric - TEFLON

ELECTRICAL DATA:

Max. Peak Opr. Volt - 500 VOLTS
 Freq. Limit - 10,000 MCS
 Nominal Impedance - 50 OHMS

CABLE ACCOMMODATIONS:

Type - RG-59/U, RG-62/U

MATING ACCOMMODATIONS:

Type - QDM

MATERIAL:

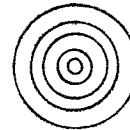
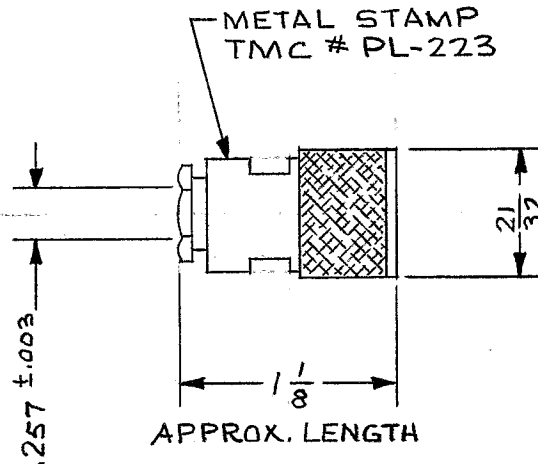
External Parts - BRASS
 Contact - BERYLLIUM COPPER
 Gasket - SILICONE RUBBER

FINISH:

External Parts - SILVER PLATE,
 RHODIUM FINISH
 Contact - SILVER PLATE,
 GOLD FLASH

PANEL:

Max. Thickness - NONE



REQ.	ITEM	PART NO.	MARTINENGO DESCRIPTION				SYMBOL
			THE TECHNICAL MATERIEL CORP. MAMARONECK. NEW YORK				
			CONNECTOR, PLUG				
			QDM TO RG-59/U, RG-62/U				
A	TYPE OF CONTACT WAS FEMALE	12.5.66	17402	RME	QC	QC	SEE NOTES
SYM	DESCRIPTION	DATE	CH. NO.	DRAFTS	CHECKER	ENG. APP.	MATERIAL
UNLESS OTHERWISE SPECIFIED DIMENSIONS ARE IN INCHES AND INCLUDE CHEMICALLY APPLIED OR PLATED FINISHES		SCALE		M. TANTILLO			
DECIMALS		FRACTIONS		TYPE & TEMPER		HEAT TREAT. SPEC.	
.X ± .05		± 1/64		DRAWN		CHECKED	
.XX ± .01		ANGLES		DRAWN		CHECKED	
.XXX ± .005		± 0° 30'		DRAWN		CHECKED	
TOLERANCES		CODE		FINISH & SPEC. NO.		ELEC. DES. APP. MECH. DES. APP.	
		S401-70-3051		SEE NOTES		PL-223	
						A	