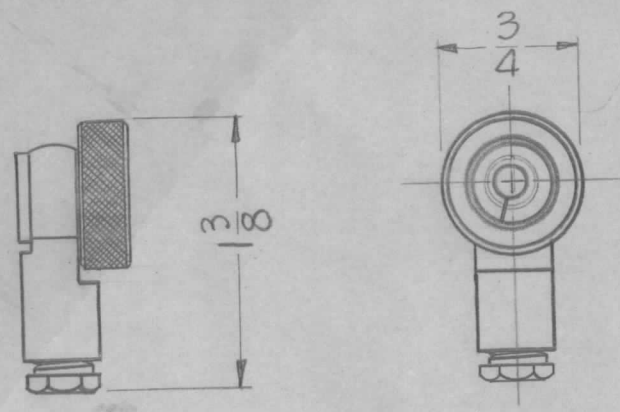


REQ. PER. UNIT	USED ON		
	MODEL	ASS'Y. NO.	DATE
2	ACU	CA-577	11-4-60
2	GPT-40K	CA-577	11-4-60

PL-192 A



NOTE - THIS CONNECTOR USED FOR SPARE PARTS ONLY. IT IS NORMALLY SUPPLIED WITH COUPLER, TMC #DC-101 (2 PER)

REF: BIRD ELECTRONIC CORP. (#75076)

ISSUE		ITEM	CHANGED FROM	DATE	CH. NO.	DRAFTS	CHECKER	ENG. APP.	REQ.	ITEM	PART NO.	DESCRIPTION	SYMBOL	
A	2		NOTE ADDED	11/28/60	3608	JMM	JCB	DB				THE TECHNICAL MATERIEL CORP. MAMARONECK, NEW YORK PLUG, ANGLE TYPE	A	
	1		REF WAS P/O DC-101											
TOLERANCES				SCALE:										
DEC. DIM. ±				MAXIMUM ALLOWABLE TOLERANCES HAVE BEEN DETERMINED AND ANY DEVIATIONS WILL BE CAUSE FOR REJECTION. REMOVE ALL BURRS AND SHARP EDGES										
FRAC. DIM. ±														
ANGULAR DIM. ±														
STOCK SIZE														
MATERIAL														
TYPE & TEMPER														
HEAT TREAT. SPEC.														
FINISH & SPEC. NO.														
DRAWN														
CHECKED														
FINAL APPROVAL														
ELEC. DES. APP														
MECH. DES. APP														
												PL-192	A	