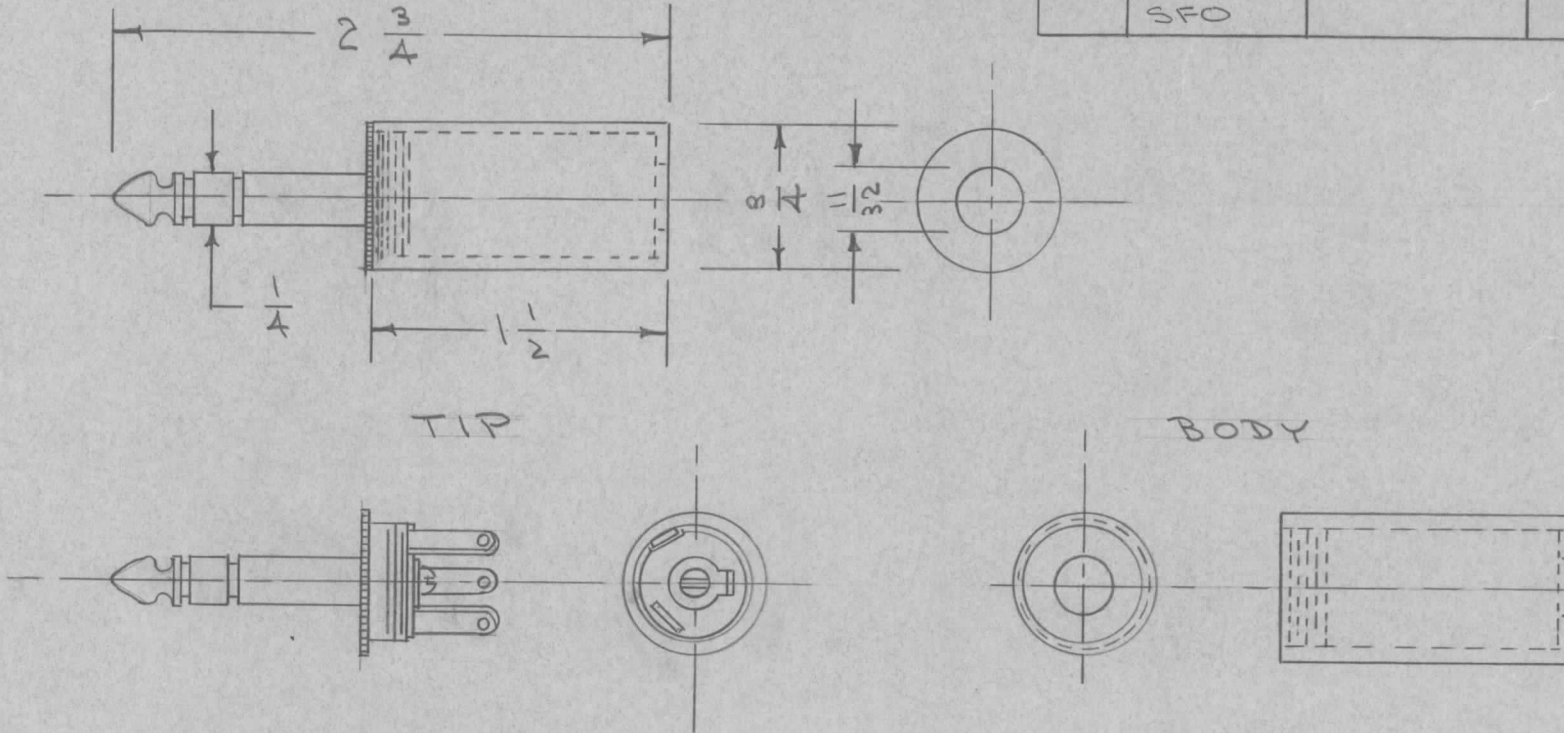


IF IT IS FOUND DESIRABLE TO CHANGE ANY TOLERANCE OR OTHER DETAIL SPECIFIED ON THIS DRAWING NOTIFY THE PURCHASER PROMPTLY.

PL-120

MAXIMUM ALLOWABLE TOLERANCES HAVE BEEN DETERMINED AND DEVIATIONS WILL BE CAUSE FOR REJECTION. REMOVE ALL BURRS AND SHARP EDGES

REQ. PER UNIT	USED ON			
	MODEL	PROJECT NO.	ASS'Y. NO.	DATE
	SFO			12-7-54



DIMENSIONS FOR REFERENCE ONLY.

REF: P. R. MALLORY & Co., INC. PLUG NO. 76

REQ.	ITEM	PART NO.	DESCRIPTION	SYMBOL
			THE TECHNICAL MATERIEL CORP. MAMARONECK, NEW YORK	
STOCK SIZE			PLUG, MICROPHONE	
MATERIAL		WEIGHT PER PC.		
TYPE & TEMPER			C.D.D. 12-7-54	WDC
HEAT TREAT. SPEC.			DRAWN	ELEC. DES. APP. MECH. DES. APP.
FINISH & SPEC. NO.			CHECKED	FINAL APPROVAL
			PL-120	

ISSUE	ITEM	CHANGED FROM	DATE	CN. NO.	DRAFTS	CHECKER	ENG. APP.
TOLERANCES							
SCALE			DRILL, PUNCH, COMMERCIAL STOCK SIZES AND MANUFACTURERS TOLERANCES ARE NOT INCLUDED.				

ALL OTHERS
DEC. DIM. ±
FRAC. DIM. ±
ANGULAR DIM. ±