

IF IT IS FOUND DESIRABLE TO CHANGE ANY TOLERANCE OR OTHER DETAIL SPECIFIED ON THIS DRAWING NOTIFY THE PURCHASER PROMPTLY.

STANDARD DRAWING

PJ-055

MAXIMUM ALLOWABLE TOLERANCES HAVE BEEN DETERMINED AND DEVIATIONS WILL BE CAUSE FOR REJECTION. REMOVE ALL BURRS AND SHARP EDGES

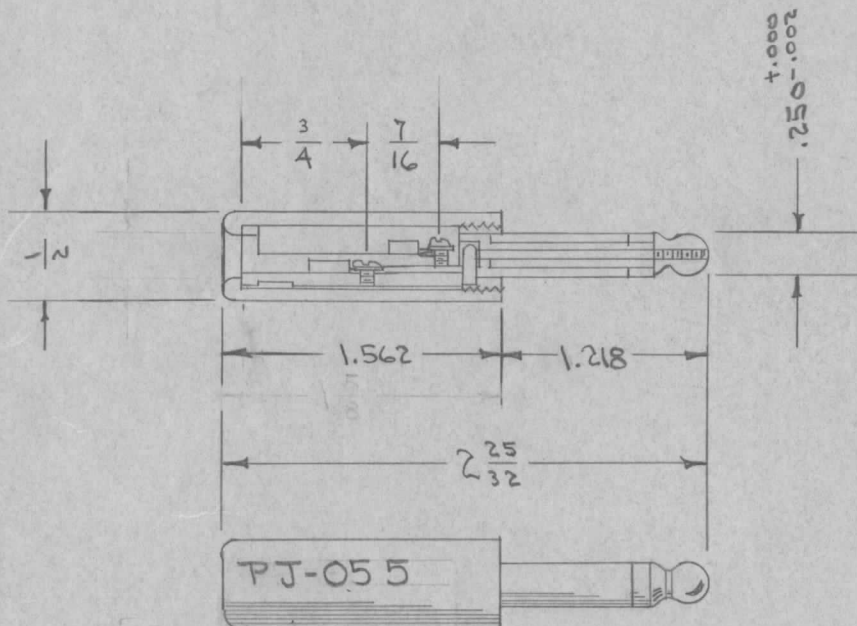
USED ON

MODEL

PROJECT NO.

ASS'Y. NO.

DATE



NOTE
 SHELL SHALL BE MOLDED PLASTIC,
 * { BLACK FOR TYPE PJ-055 B
 RED FOR TYPE PJ-055 R
 METAL FOR TYPE PJ-055 M

LETTERS TO BE 1/8 HIGH GOTHIC - WHITE - FILLED

DIM. FOR REF. ONLY

PLUG SHALL BE IN ACC. WITH JAN. P-642 AND AMEND.

REQ.	ITEM	PART NO.	DESCRIPTION	SYMBOL
			THE TECHNICAL MATERIEL CORP. MAMARONECK, NEW YORK	
		STOCK SIZE		
			PLUG, TELEPHONE (TIP-SLEEVE)	
		MATERIAL		
		WEIGHT PER PC.		
		TYPE & TEMPER	CDD. 1-12-54	
			DRAWN	ELEC. DES. APP. MECH. DES. APP.
		HEAT TREAT. SPEC.	CHECKED	FINAL APPROVAL
			SUPERSEDES PL-55 (JAN-P-642)	PJ-055(*)
		FINISH & SPEC. NO.		

ISSUE	ITEM	CHANGED FROM	DATE	CN. NO.	DRAFTS	CHECKER	ENG. APP.
TOLERANCES			SCALE				
ALL OTHERS	DEC. DIM. ± FRAC. DIM. ± ANGULAR DIM. ±		DRILL, PUNCH, COMMERCIAL STOCK SIZES AND MANUFACTURERS TOLERANCES ARE NOT INCLUDED.				