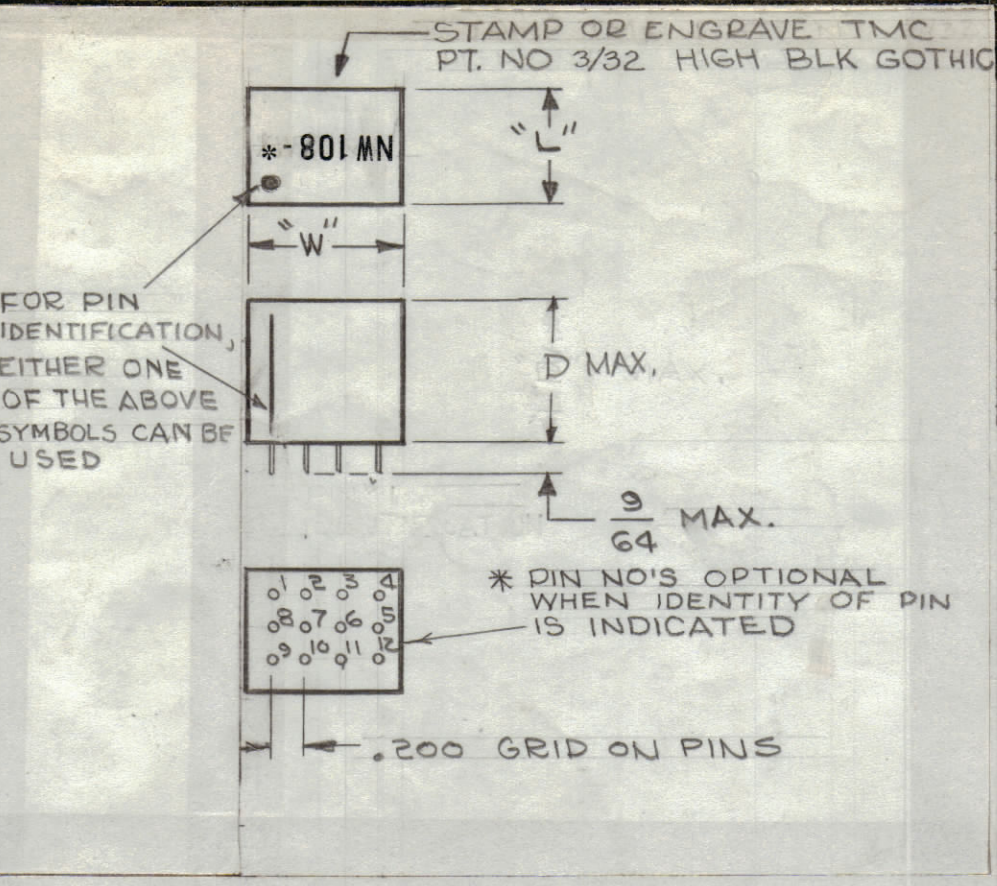


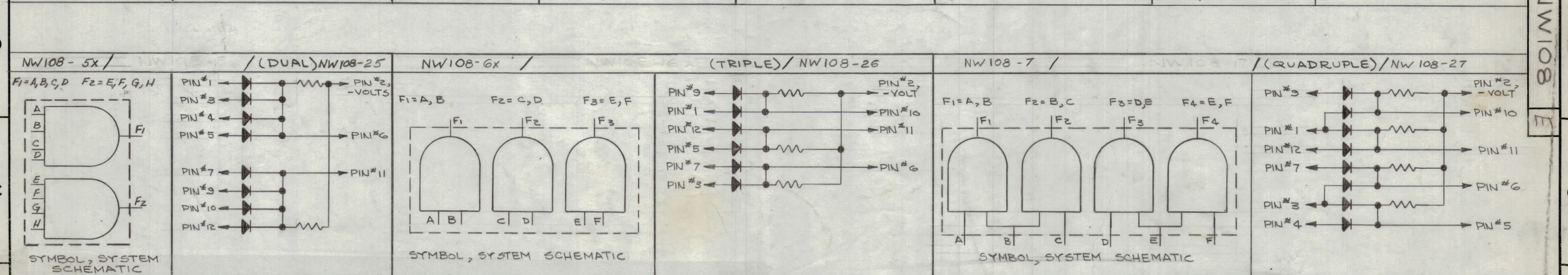
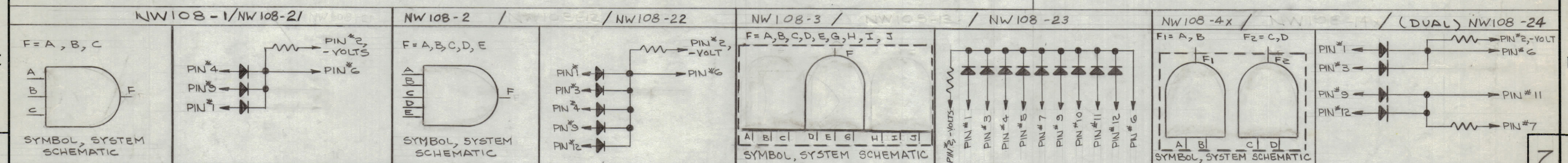
TMC PART NUMBER	MFG. PART NUMBER	MFG. TYPE NUMBER	SWITCHING CHAR.	SIZES			INPUTS	OPER. TEMP.
				"W"	"L"	"D"		
NW108-1X	730A0023X	AG11-1X	B	.800	.630	.770	3	+65°C
-2X	A0024X	AG11-2X	B				5	
-3X	B0025X	AG11-3X	B				9	
-4X	A0026X	AG12-1X	B				2 INPUTS EA. LEG	
-5X	B0027X	AG12-2X	B				4 INPUTS EA. LEG	
-6X	B0028X	AG13-1X	B				2 INPUTS EA. LEG	
-7X	730B0029	AG14-1X	B	.800	.630	.770	SEE NOTE #3	
-21		11-1-B	A OR B			.460	3	+85°C
-22		11-2-B	A OR B				5	
-23		11-3-B	A OR B				9	
-24		12-1-B	A OR B				2 INPUTS EA. LEG	
-25		12-2-B	A OR B				4 INPUTS EA. LEG	
-26		13-1-B	A OR B				2 INPUTS EA. LEG	
-27		14-1-B	A OR B				SEE NOTE #3	
-28		DM11-1-B	A OR B				SEE NOTE 4	
-29		DM11-5-B	A OR B				SEE NOTE 5	
-30			A OR B				SEE NOTE 4	



REVISIONS						
ZONE	SYM	DESCRIPTION	DATE	E.M.N. NO.	DRAFT	CHKD
X		EXPER. RELEASE	12-17-64	X		
XI		COMPLETELY UPDATED	1-4-65	XI		JM
Ø		ORIGINAL RELEASE FOR PRODUCTION	4/23/65	-A-		
A		ADDED TO CHART NW108-21, 22, 23, 24, 25, 26, 27, OPER. TEMP. COL. ADDED. NOTE 2 DELETED	9/30/65	14367	D.V.	
B		DELETE NW108-11 THRU 17	7/14/65	14447	H.S.V.	
C		IT NW108-28, 29 ADDED (SEE SHEET 2)	7/29/65	14995	D.V.	
D		-30 ADD TO PT NO CH. PT NO STAMP REV NOTE "PIN NO OPT. ---" ADDED NOTES 6, 7, 8, 9, 10 ADDED	3/30/66	16044	W.W.	
E		.260 DIM'S WERE .375 # MAX. ADDED TO "D" DIM	9-11-67	18484	H.G.	

SWITCHING CHARACTERISTICS	
A - 6 VOLTS LOGIC	B - 12 VOLTS LOGIC
INPUT	INPUT
AMPLITUDE, -4V MIN	AMPLITUDE, -6.5V MIN
OUTPUT	OUTPUT
AMPLITUDE, -3.5V. MIN.	AMPLITUDE, -6.0V. MIN

-31								
-32								
-33								
-34								
-35								
-36								
-37								



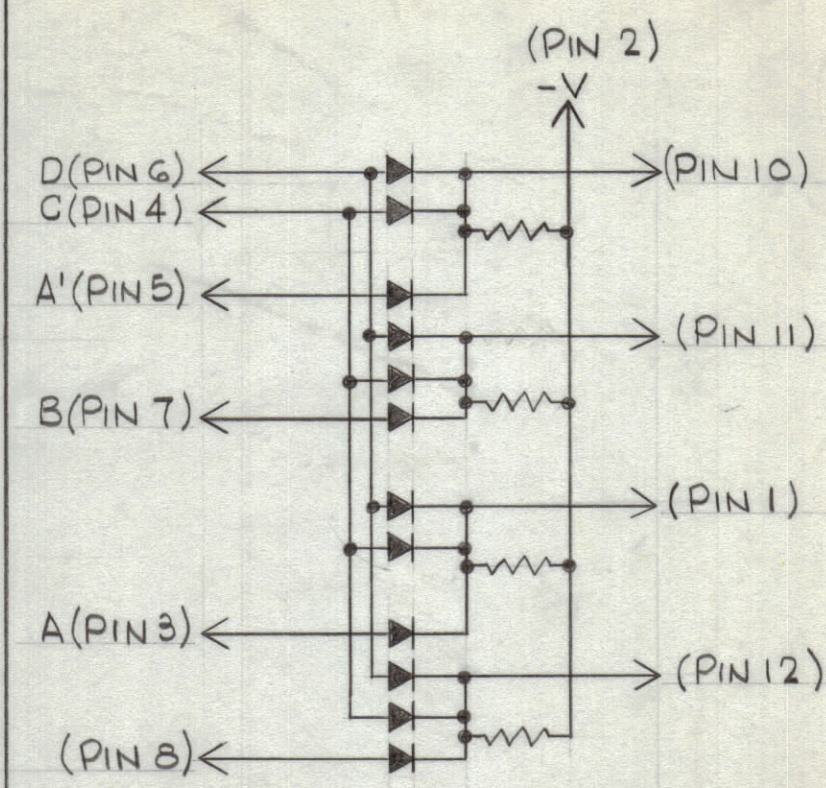
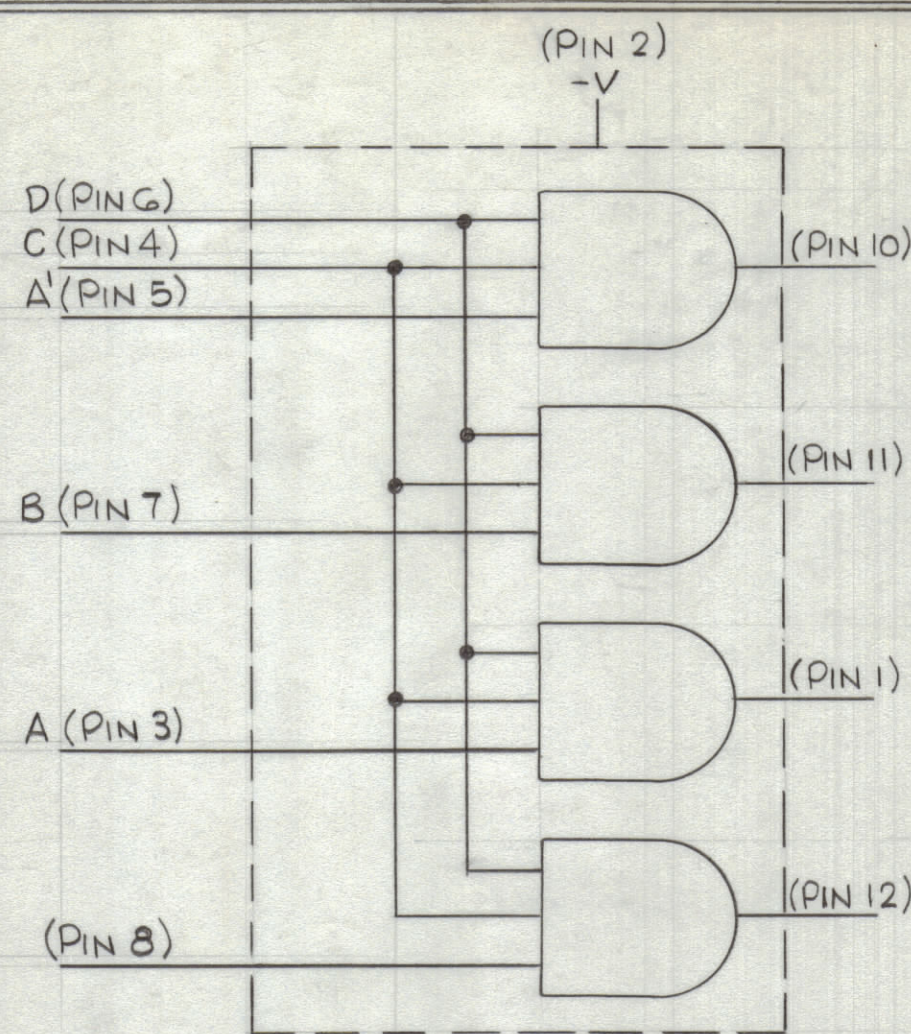
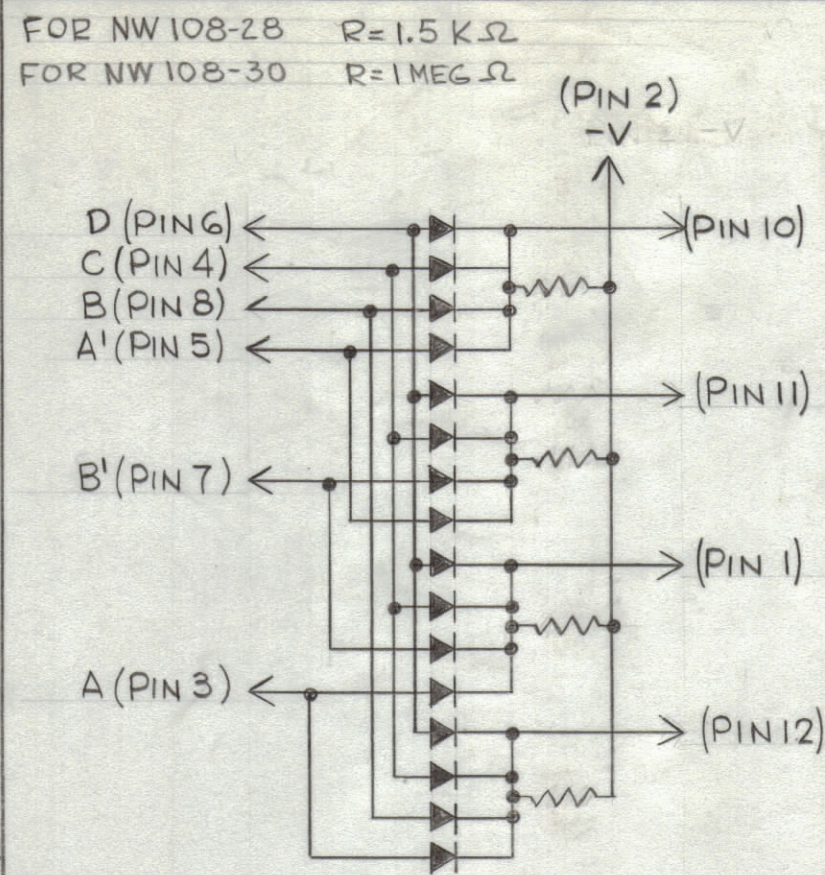
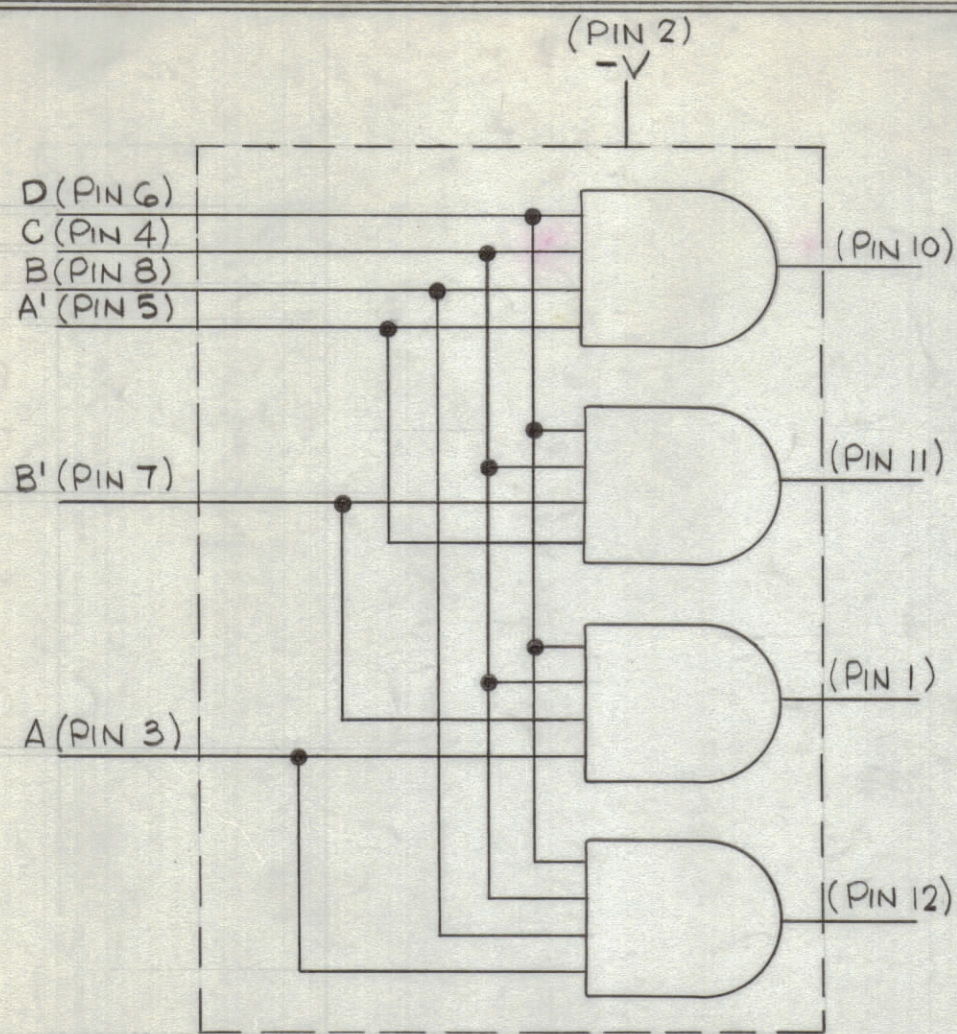
NOTE:

1. USABLE ON NEGATIVE OR POSITIVE LOGIC.
2. DELETED
3. 2 SEPARATE AND 1 COMMON INPUT TO TWO LEGS (SEE NW108-7 DETAIL)
4. 2 INPUTS COMMON TO 4 GATES AND 4 INPUTS EACH COMMON TO 2 GATES.
5. 2 INPUTS COMMON TO 4 GATES AND 4 INPUTS EACH COMMON TO ONE GATE
6. POLARIZING PIN FOR NW108-1 THROUGH NW108-27 IS PIN 8.
7. POLARIZING PIN FOR NW108-28 THROUGH NW108-30 IS PIN 9.
8. NW108-28 RESISTOR IS 1.5KΩ
9. NW108-30 IS THE SAME AS NW108-28 EXCEPT 1 MEG Ω RESISTORS ARE USED.
10. NW108-30 IS TO BE USED ONLY FOR DRIVING AND GATES & NAND GATES.

NOTE:

- 1) NW108-1X THRU NW108-7X ARE NOT TO BE USED FOR FUTURE DESIGN.
- 2) USE NW108-21 THRU NW108-27 AS REPLACEMENTS.

REQ'D.	ITEM	PART NUMBER	DESCRIPTION	SYMBOL
EATON LIST OF MATERIAL				
MATERIAL		EPOXY (YEL)		
FINISH		YELLOW		
TITLE		NETWORK, DIGITAL AND GATE		
UNLESS OTHERWISE SPECIFIED DIMENSIONS ARE IN INCHES AND INCLUDE CHEMICALLY APPLIED OR PLATED FINISHES		DRAWN: [Signature] DATE: 12-17-64		
DECIMALS .X ± .05 .XX ± .01 .XXX ± .005		CHECKED: [Signature] DATE: 1-25-65		
FRACTIONS ± 1/64 ANGLES ± 0° 30'		ELECT. DES. DATE: [Signature]		
TOLERANCES		MECH. DES. DATE: 1-25-65		
RTIA-1		FINAL APPROVAL: [Signature] DATE: 4/23/65		
QTY/UNIT		MODEL USED ON		
SCALE 1:1		CODE C		
ASS'Y. NO. S401-167		SHEET 1 OF 2		
THE CONTENTS OF THIS DRAWING ARE THE EXCLUSIVE PROPERTY OF THE TECHNICAL MATERIEL CORP. ITS UNAUTHORIZED USE OR REPRODUCTION IN WHOLE OR IN PART IS STRICTLY FORBIDDEN.		REV. LTR. E		



3- NW108-28/DM11-1B IS THE SAME AS NW108-28 EXCEPT 1MEGΩ RESISTORS ARE USED
4- NW108-29/DM11-5B IS THE SAME AS NW108-29 EXCEPT 1MEGΩ RESISTORS ARE USED
5- NW108-30 IS TO BE USED ONLY FOR DRAWING AND SAFETY MARKING PURPOSES

NW108 E

ZONE	SYM	DESCRIPTION	DATE	E.M.N. NO.	DRAFT	CHKD	APPD
E		SEE SHEET 1 OF 2	9/11/67	18484	H.G.	MP	FE
D		SEE SHEET 1 OF 2	3-31-66	16044	WLD	MP	FE
C		ADD. SCHEMATICS NW108-28 & -29	10-21-65	14995	HLA	MP	FE

RTIA-1		ASS'Y. NO.
Q'TY./UNIT	MODEL USED ON	
SCALE	CODE	
	C	S401-167

REQ'D.	ITEM	PART NUMBER	DESCRIPTION	SYMBOL
EATON LIST OF MATERIAL				
MATERIAL		EPOXY (YEL)		
FINISH		TITLE		
		NETWORK, DIGITAL AND GATE		
UNLESS OTHERWISE SPECIFIED DIMENSIONS ARE IN INCHES AND INCLUDE CHEMICALLY APPLIED OR PLATED FINISHES		DRAWN	DATE	FINAL APPROVAL
		H. AUSTIN	10-21-65	MP
		CHECKED	DATE	10/21/65
		ELECT. DES.	DATE	
		MECH. DES.	DATE	
TOLERANCES		FRACTIONS		
.X ± .05		± 1/64		
.XX ± .01		ANGLES		
.XXX ± .005		± 0° 30'		
SHEET 2 OF 2				REV. LTR.