

5

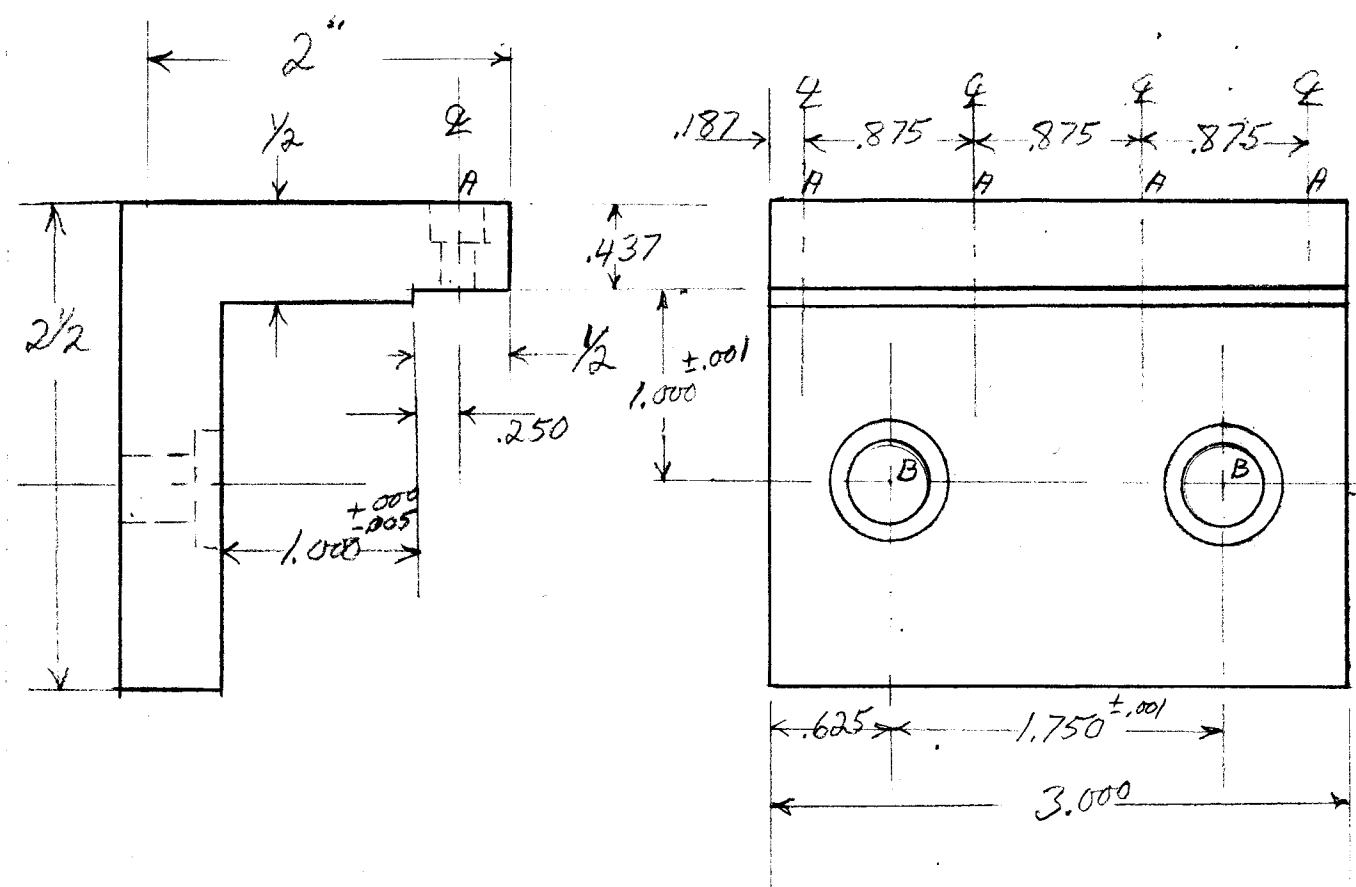
4

3

2

1

REVISIONS						
ZONE	LTR	DESCRIPTION	DATE	E.M.N.NO	DRAFT	CHKD APPD
	Ø	ORIG REL FOR PROD	1-3-69	HH	GE	Jde



A-(4) #10 THRU C'BORE
 11/32 DIA. X 13/64 DEEP
 B-(2) 3/8 THRU C'BORE
 .6244 DIA. X .218 DEEP
 .6250

REQ'D	ITEM	PART NUMBER	DESCRIPTION	SYM.
LIST OF MATERIAL				
THE TECHNICAL MATERIEL CORP. MAMARONECK, NEW YORK				
SUPPORT, SPROCKET				
SIZE	CODE IDENT. NO.	DWG NO.	ISSUE	
B	82679	MS 8441	Ø	
SCALE			SHEET 1 OF 1	

QTY / UNIT	MODEL USED ON	ASS'Y NO.
1	SPT 3KVHF	AX 8081
1	SPT-3KVHF	AX 8080

APPLICATION

CODE

NOTICE TO PERSONS RECEIVING THIS DRAWING
 THE TECHNICAL MATERIEL CORPORATION claims proprietary right in the material disclosed hereon. This drawing is issued in confidence for engineering information only and may not be reproduced or used to manufacture anything shown hereon without permission from THE TECHNICAL MATERIEL CORPORATION to the user. This drawing is loaned for mutual assistance and is subject to recall at any time.

UNLESS OTHERWISE SPECIFIED DIMENSIONS ARE IN INCHES AND INCLUDE CHEMICALLY APPLIED OR PLATED FINISHES

DECIMALS	FRACTIONS
.X ± .05	1/64
.XX ± .01	TOLS. ANGLES
.XXX ± .005	0° -30'

MATERIAL 6061-T3
 1/2 ALUM. &
 FINISH 5404 YEL IRIDITE

APPROVAL *[Signature]* DATE 1/3/69
 MECH. DES. *[Signature]* DATE 1/3/69
 ELECT. DES. DATE
 CHECKED *[Signature]* DATE 1-3-69
 DRAWN C. GROB DATE 11/6/68