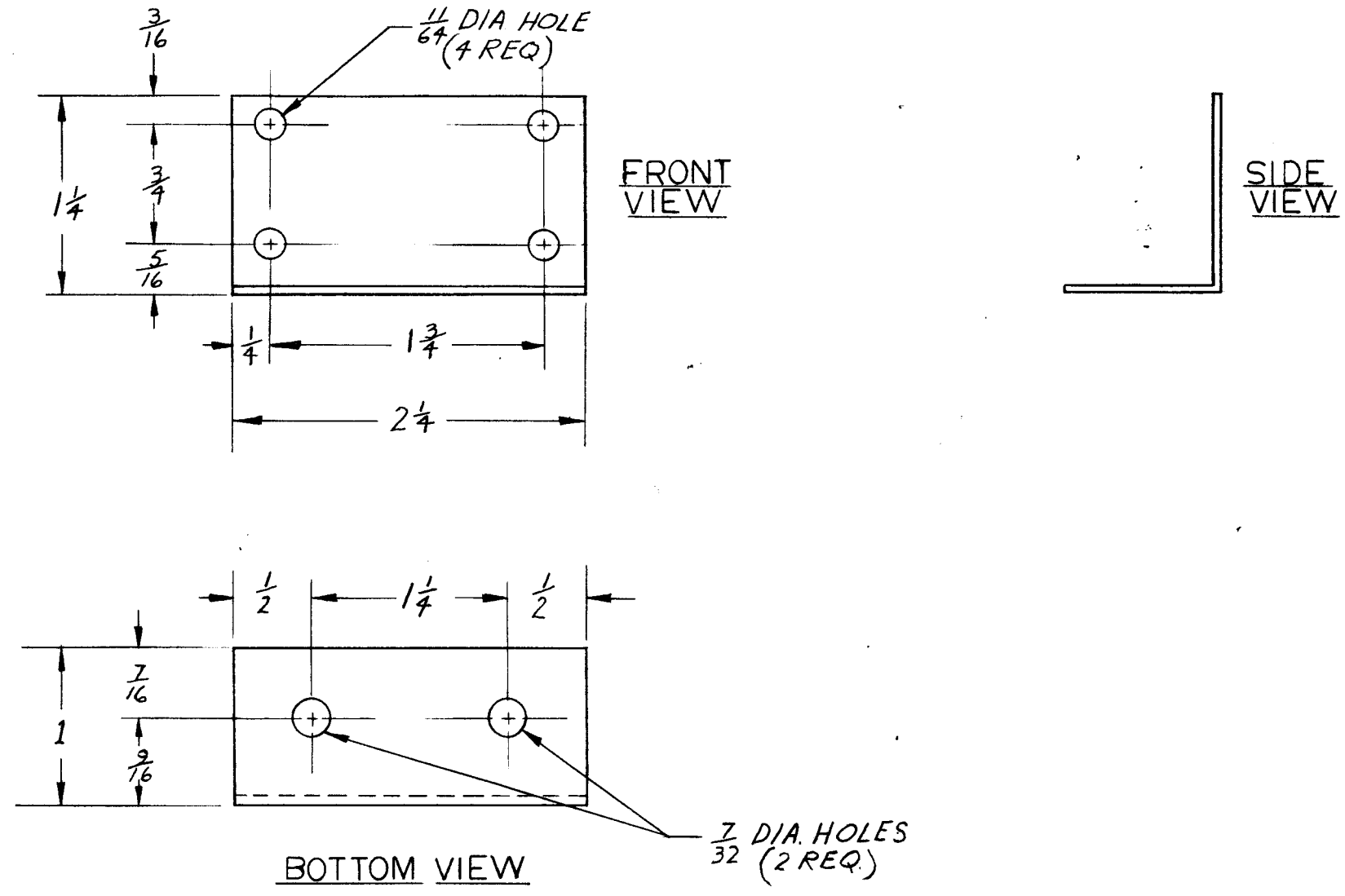


REVISIONS							
ZONE	LTR	DESCRIPTION	DATE	E.M.N.NO	DRAFT	CHKD	APPD
	Ø	ORIGINAL RELEASE	8/25/69	Ø	CG		JD



QTY / UNIT	SPT 3K VHF	ASS'Y NO.
APPLICATION		
CODE		
NOTICE TO PERSONS RECEIVING THIS DRAWING THE TECHNICAL MATERIEL CORPORATION claims proprietary right in the material disclosed hereon. This drawing is issued in confidence for engineering information only and may not be reproduced or used to manufacture anything shown hereon without permission from THE TECHNICAL MATERIEL CORPORATION to the user. This drawing is loaned for mutual assistance and is subject to recall at any time.		

UNLESS OTHERWISE SPECIFIED DIMENSIONS ARE IN INCHES AND INCLUDE CHEMICALLY APPLIED OR PLATED FINISHES

DECIMALS	FRACTIONS
.X ± .05	1/64
.XX ± .01	TOLS. ANGLES
.XXX ± .005	0° -30'

MATERIAL .062 THK
5052 H32 ALUM

FINISH
S404 YEL. IRIDITE

REQ'D	ITEM	PART NUMBER	DESCRIPTION	SYM.
LIST OF MATERIAL				
FINAL APPROVAL <i>[Signature]</i> DATE 8/25/69 MECH. DES. DATE 8-13-69 ELECT. DES. DATE CHECKED DATE DRAWN C. GROB DATE 10/14/68				
THE TECHNICAL MATERIEL CORP. MAMARONECK, NEW YORK BRACKET				
SIZE	CODE IDENT. NO.	DWG NO.	ISSUE	
B	82679	MS 8419	Ø	
SCALE	SHEET		OF	
7	1		1	