

5

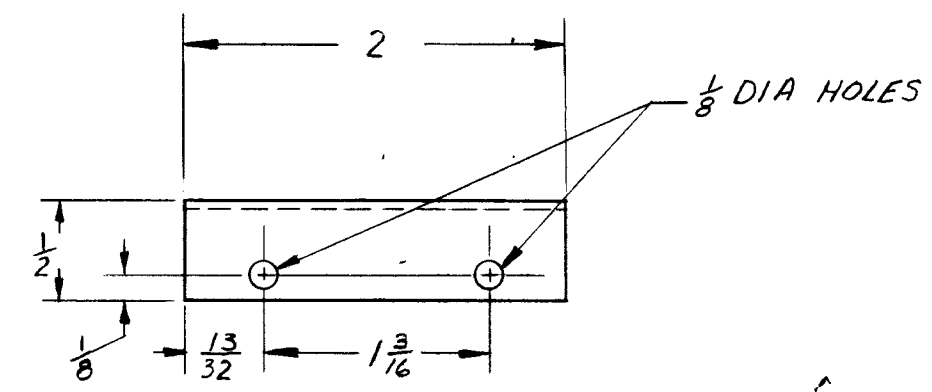
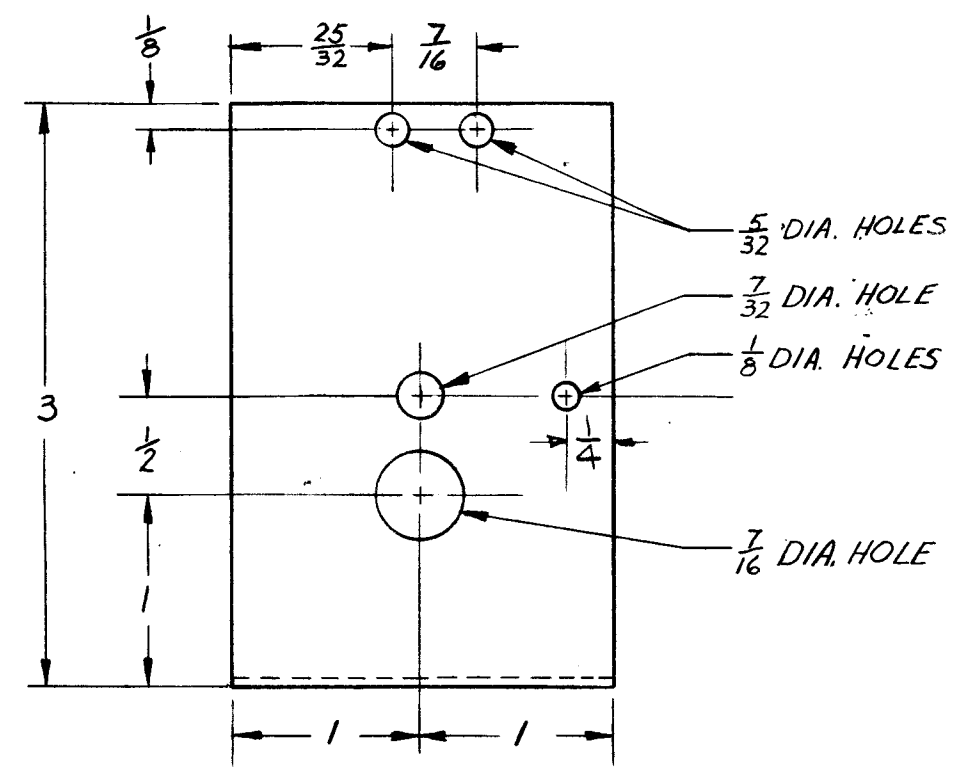
4

3

2

1

REVISIONS						
ZONE	LTR	DESCRIPTION	DATE	E.M.N.NO	DRAFT	CHKD APPD
	Ø	ORIG. REL. FOR PROD	4-1-69	#	GE	JDE



4	SPT-3KVHF	AX8088
QTY / UNIT	MODEL USED ON	ASS'Y NO.

APPLICATION	
CODE	

**NOTICE TO PERSONS RECEIVING THIS DRAWING**  
 THE TECHNICAL MATERIEL CORPORATION claims proprietary right in the material disclosed hereon. This drawing is issued in confidence for engineering information only and may not be reproduced or used to manufacture anything shown hereon without permission from THE TECHNICAL MATERIEL CORPORATION to the user. This drawing is loaned for mutual assistance and is subject to recall at any time.

UNLESS OTHERWISE SPECIFIED DIMENSIONS ARE IN INCHES AND INCLUDE CHEMICALLY APPLIED OR PLATED FINISHES

DECIMALS .X ± .05  
 .XX ± .01  
 .XXX ± .005

FRACTIONS 1/64  
 TOLS. ANGLES 0°-30'

MATERIAL .064 THK  
 5052 H32 ALUM

FINISH  
 S904 YEL IRIDITE

REQ'D	ITEM	PART NUMBER	DESCRIPTION	SYM.
LIST OF MATERIAL				
THE TECHNICAL MATERIEL CORP. MAMARONECK, NEW YORK				
BRACKET, POT. MTG				
SIZE	CODE IDENT. NO.	DWG NO.	ISSUE	
B	82679	MS 8415	Ø	
SCALE			SHEET 1 OF 1	

D

C

B

A