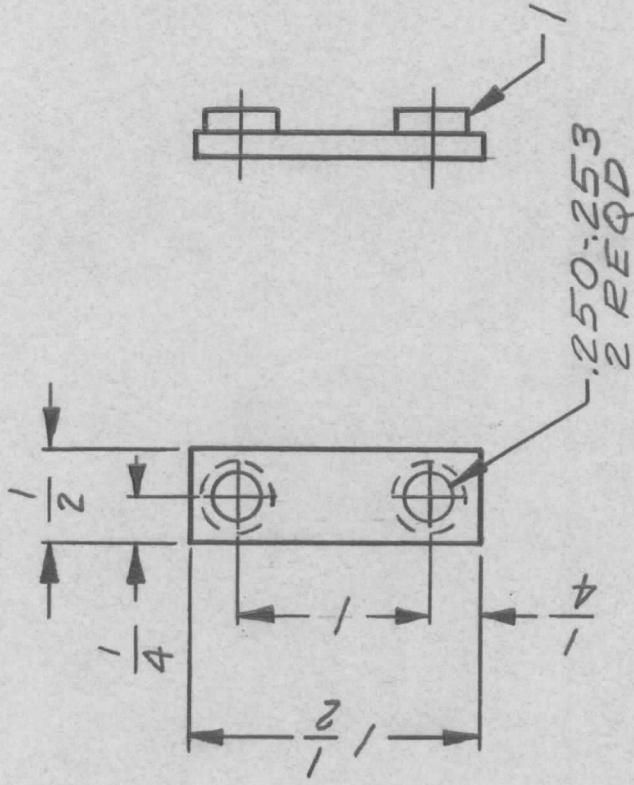


APPLICATION REVISIONS

QTY	MODEL USED ON	ASS'Y NO.	LTR	DESCRIPTION	DATE	E.M.N.NO	DRAFT	CHKD	APPD
-----	---------------	-----------	-----	-------------	------	----------	-------	------	------

2 AX8007



UNLESS OTHERWISE SPECIFIED DIMENSIONS ARE IN INCHES AND INCLUDE CHEMICALLY APPLIED OR PLATED FINISHES		2	1	NT129-1032-6	NUT, ROUND, SWAGE TYPE	SYM.
DECIMALS	FRACTIONS	REQ'D ITEM	PART NUMBER	LIST OF MATERIAL		
X ± .05	1/64	FINAL APPROVAL	DATE	THE TECHNICAL MATERIEL CORP.		
.XX ± .01	TOLS.	MECH. DES.	DATE	MAMARONECK, NEW YORK		
.XXX ± .005	ANGLES	ELECT. DES.	DATE	BRACKET, FRONT		
MATERIAL: 125 THK	0°-30°	CHECKED	DATE	PANEL, MTG		
5052 H32 ALUM.		G. ORLANDI	1-2-68	SIZE		
FINISH 54-04 IRIDITE		G.E. ZUCKER	12-13-67	A		
				CODE IDENT. NO.		
				MS8130		
				DWG NO.		
				ISSUE		
				Ø		

NOTICE TO PERSONS RECEIVING THIS DRAWING
 THE TECHNICAL MATERIEL CORPORATION claims proprietary right in the material disclosed hereon. This drawing is issued in confidence for engineering information only and may not be reproduced or used to manufacture anything shown hereon without permission from THE TECHNICAL MATERIEL CORPORATION to the user. This drawing is loaned for mutual assistance and is subject to recall at any time.