

5

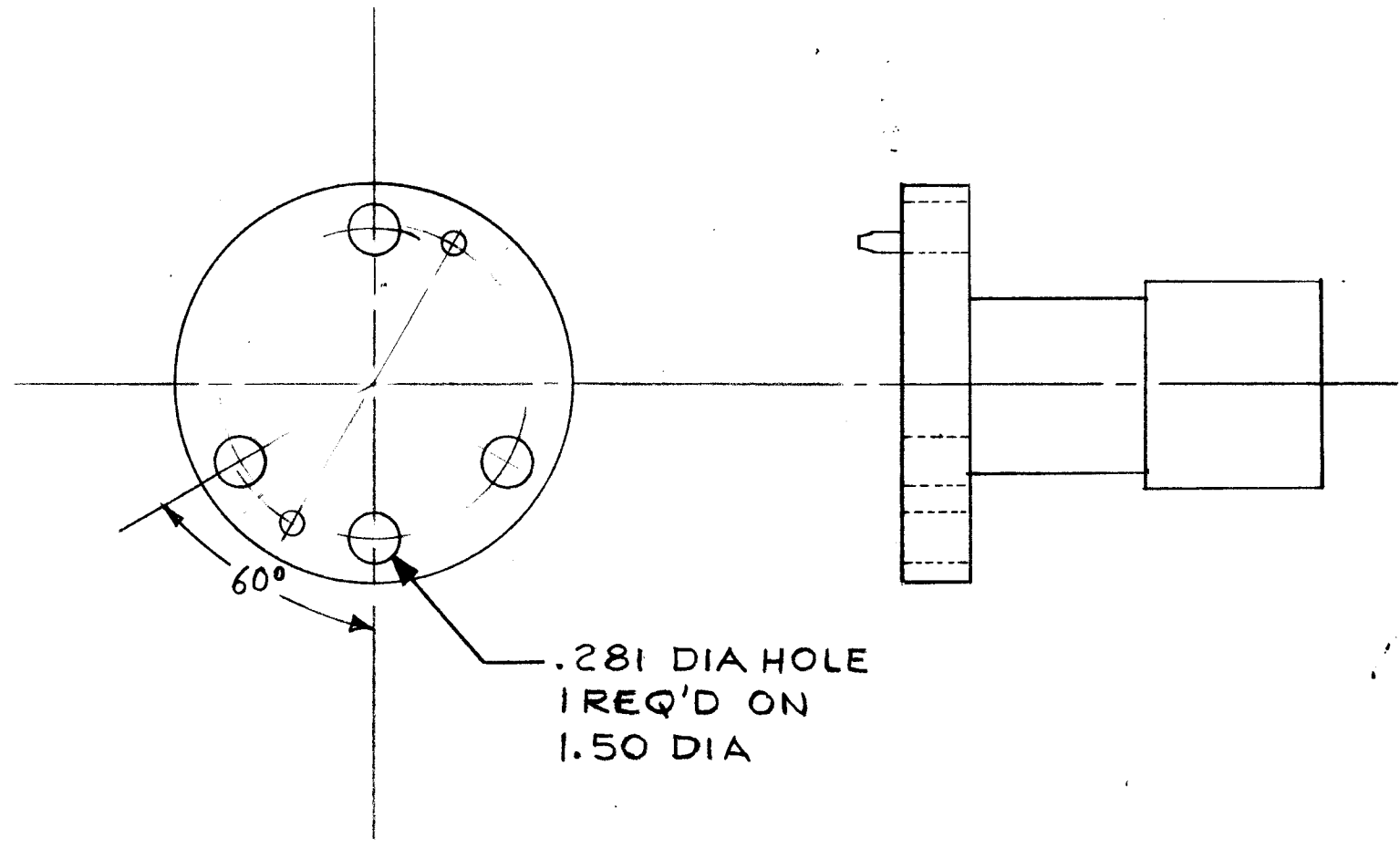
4

3

2

1

REVISIONS					
ZONE	LTR	DESCRIPTION	DATE	E.M.N.NO	APPD



.281 DIA HOLE
1 REQ'D ON
1.50 DIA

REQ'D	ITEM	PART NUMBER	DESCRIPTION	SYM.
-------	------	-------------	-------------	------

LIST OF MATERIAL

2	FIELD ANT. NO. 3 & 4	
QTY / UNIT	MODEL USED ON	ASS'Y NO.
APPLICATION		
	CODE	
<p>NOTICE TO PERSONS RECEIVING THIS DRAWING THE TECHNICAL MATERIEL CORPORATION claims proprietary right in the material disclosed hereon. This drawing is issued in confidence for engineering information only and may not be reproduced or used to manufacture anything shown hereon without permission from THE TECHNICAL MATERIEL CORPORATION to the user. This drawing is loaned for mutual assistance and is subject to recall at any time.</p>		

UNLESS OTHERWISE SPECIFIED DIMENSIONS ARE IN INCHES AND INCLUDE CHEMICALLY APPLIED OR PLATED FINISHES	
DECIMALS .X ± .05 .XX ± .01 .XXX ± .005	FRACTIONS 1/64 TOLS. ANGLES 0° .30'
MATERIAL	
FINISH	

FINAL APPROVAL <i>STM</i>	DATE 9/14/67
MECH. DES. L. NOTARANGELO	DATE 9/6/67
ELECT. DES.	DATE
CHECKED G. ORLANDI	DATE 12-13-67
DRAWN L. NOTARANGELO	DATE 9/6/67

THE TECHNICAL MATERIEL CORP. MAMARONECK, NEW YORK			
INTERLOCK HOLE ANDREWS CONN. TYPE 75AG-3			
SIZE B	CODE IDENT. NO. 82679	DWG NO. MS8108	ISSUE Ø
SCALE		SHEET OF	

5

4

3

2

1