

5

4

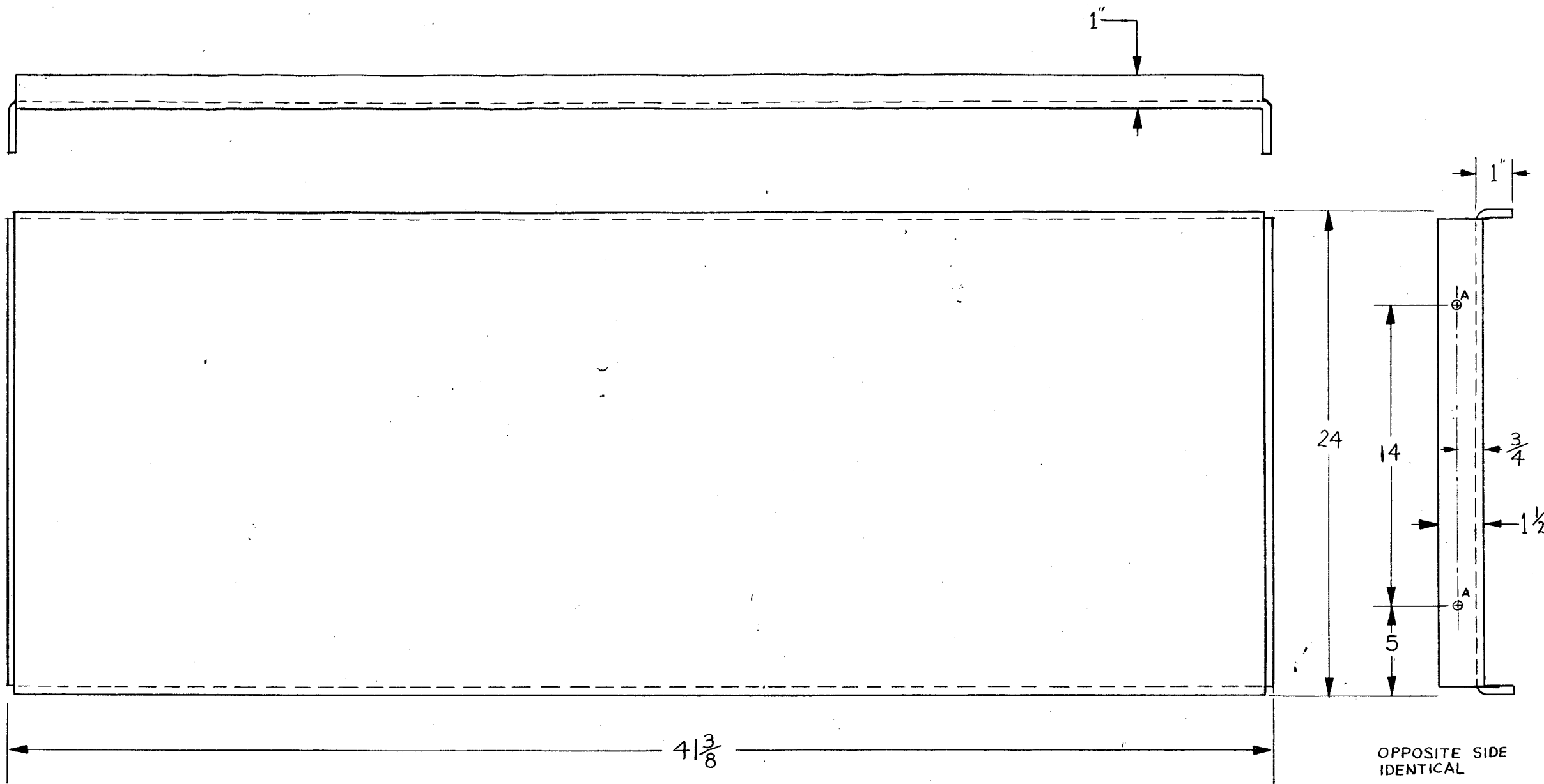
3

2

1

REVISIONS					
ZONE	LTR	DESCRIPTION	DATE	E.M.N.NO	APPD

A- 7/32 DIA. 4 REQD.



OPPOSITE SIDE IDENTICAL

REQ'D	ITEM	PART NUMBER	DESCRIPTION	SYM.
LIST OF MATERIAL				
THE TECHNICAL MATERIEL CORP. MAMARONECK, NEW YORK				
PLATE, CAPACITOR				
SIZE	CODE IDENT. NO.	DWG NO.	ISSUE	
B	82679	MS8027	Ø	
SCALE	X		SHEET 1 OF 1	

UNLESS OTHERWISE SPECIFIED DIMENSIONS ARE IN INCHES AND INCLUDE CHEMICALLY APPLIED OR PLATED FINISHES		FINAL APPROVAL	DATE
DECIMALS .X ± .05 FRACTIONS 1/64 TOLS. ANGLES 0°-30'		<i>[Signature]</i>	7.3.67
MATERIAL .081 ALUMINUM		MECH. DES.	DATE
FINISH YELLOW 6404 ARRIDITE		ELECT. DES.	DATE
NOTICE TO PERSONS RECEIVING THIS DRAWING: TECHNICAL MATERIEL CORPORATION claims proprietary right in the material herein. This drawing is issued in confidence for engineering information only and is not to be reproduced or used to manufacture anything shown hereon without the written consent of TECHNICAL MATERIEL CORPORATION. This drawing is issued for your information only and is not to be used for any other purpose without the written assistance and approval of the user. This drawing is subject to recall at any time.		CHECKED	DATE
		<i>[Signature]</i>	12/26/67
		DRAWN	DATE
		C. GROB	11/26/67