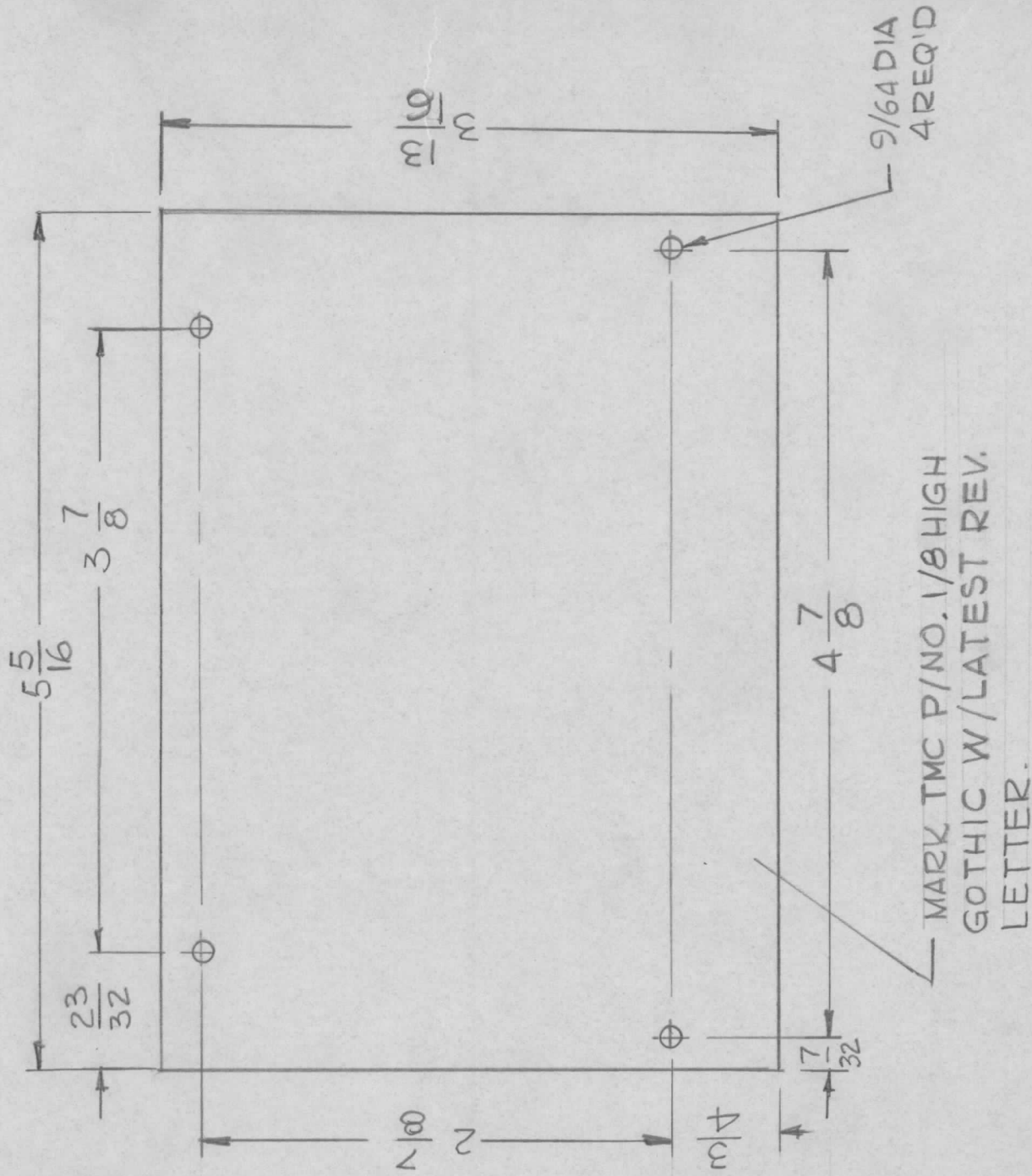


APPLICATION

QTY	MODEL USED ON	ASSY NO.	LTR
2	MFT-10K/J	KIT-441	Ø
2	MFT-10K	KIT-441	

REVISIONS

DESCRIPTION	DATE	E.M.N.NO	DRAFT	CHKD	APPD
ORIGINAL RELEASE FOR PRODUCTION	4/13/83	22012	Ø		



UNLESS OTHERWISE SPECIFIED DIMENSIONS ARE IN INCHES AND INCLUDE CHEMICALLY APPLIED OR PLATED FINISHES

DECIMALS FRACTIONS
 .X ± .05 TOLS. 1/64
 .XX ± .01 ANGLES 0°-30'
 .XXX ± .005

MATERIAL .051 THK
 ALUM 5052-H32

FINISH 5404

YEL IRIDITE

REQ'D	ITEM	PART NUMBER	DESCRIPTION	SYMBOL
	FINAL APPROVAL	DATE	LIST OF MATERIAL	
	MECH. DES.	DATE		
	ELECT. DES.	DATE		
	CHECKED	DATE		
	DRAWN	DATE		

THE TECHNICAL MATERIEL CORP.
 MAMARONECK, NEW YORK

FRONT & REAR COVER,
 CHASSIS

NOTICE TO PERSONS RECEIVING THIS DRAWING
 THE TECHNICAL MATERIEL CORPORATION claims proprietary right in the material disclosed hereon. This drawing is issued in confidence for engineering information only and may not be reproduced or used to manufacture anything shown hereon without permission from THE TECHNICAL MATERIEL CORPORATION to the user. This drawing is loaned for mutual assistance and is subject to recall at any time.

SIZE	CODE IDENT. NO.	DWG NO.	ISSUE
A	82679	MS 6975	Ø
SCALE	1:1	SHEET	OF