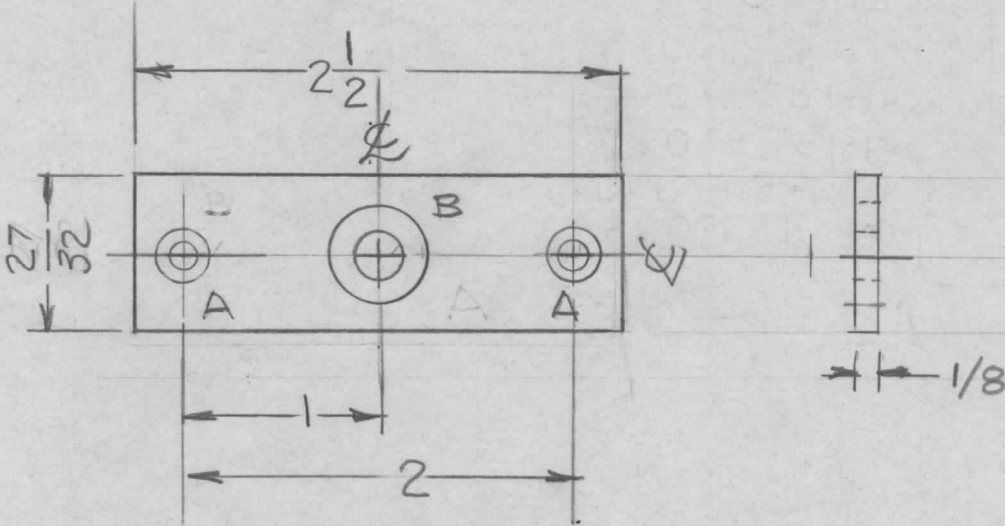


REQ. PER UNIT	USED ON			MS6943	Ø
	MODEL	ASS'Y. NO.	DATE		
1	MFT-10K/J	BMA560	10-18-78		



HOLES
 A-.191-.194 DIA 2 REQ
 B-.4999-.4996 DIA

							1	1	BB 126-15	RACE BEARING	
							REQ. ITEM	PART NO.		DESCRIPTION	SYMBOL
							1/8 THK		TMC INDUSTRIAL CORP. MAMARONECK, NEW YORK		
							ALUM.		PLATE, MTG SHAFT		
ORIGINAL RELEASE							9-20-78	Ø	MAC	FB	
ISSUE	ITEM	CHANGED FROM	DATE	CH. NO.	DRAFTS	CHECKER	ENG. APP.				
TOLERANCES			SCALE: 1:1				5052-32		GDL	ØB	
DEC. DIM. ± FRAC. DIM. ± ANGULAR DIM. ±			MAXIMUM ALLOWABLE TOLERANCES HAVE BEEN DETERMINED AND ANY DEVIATIONS WILL BE CAUSE FOR REJECTION. REMOVE ALL BURRS AND SHARP EDGES				TYPE & TEMPER	HEAT TREAT. SPEC.	DRAWN	CHECKED	FINAL APPROVAL
							5404 YEL. IRIDITE				MS6943 Ø
							FINISH & SPEC. NO.		ELEC. DES. APP.	MECH. DES. APP.	