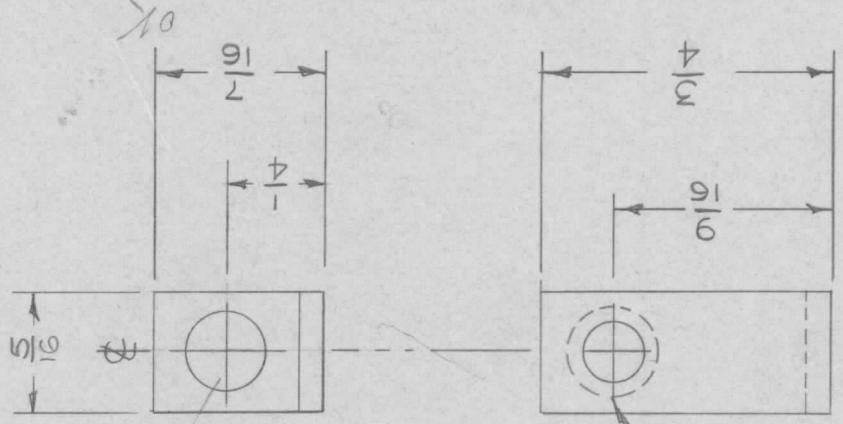


REVISIONS

APPLICATION

QTY	MODEL USED ON	ASS'Y NO.	LTR	DESCRIPTION	DATE	E.M.N.NO	DRAFT	CHKD	APPD
4	RCST-1	AV5224	Ø	ORIGINAL RELEASE	1-7-80	#	MAC		SD



DRILL .161-.164
PRESS IN HOLE 1

1 1 NT129-440-4 NUT ROUND

REQ'D	ITEM	PART NUMBER	DESCRIPTION	SYM.
LIST OF MATERIAL				
THE TECHNICAL MATERIEL CORP. MAMARONECK, NEW YORK				
BRACKET, PC BOARD				
FINAL APPROVAL	S.D.			
MECH. DES.				
ELECT. DES.				
CHECKED				
DRAWN	PA			
DATE	1/7/80			
DATE				
DATE				
DATE				
DATE	1-6-78			
SIZE	A	CODE IDENT. NO.	82679	DWG NO.
			M56868	ISSUE
		SCALE	2:1	SHEET
				OF

NOTICE TO PERSONS RECEIVING THIS DRAWING
THE TECHNICAL MATERIEL CORPORATION claims proprietary right in the material disclosed hereon. This drawing is issued in confidence for engineering information only and may not be reproduced or used to manufacture anything shown hereon without permission from THE TECHNICAL MATERIEL CORPORATION to the user. This drawing is loaned for mutual assistance and is subject to recall at any time.