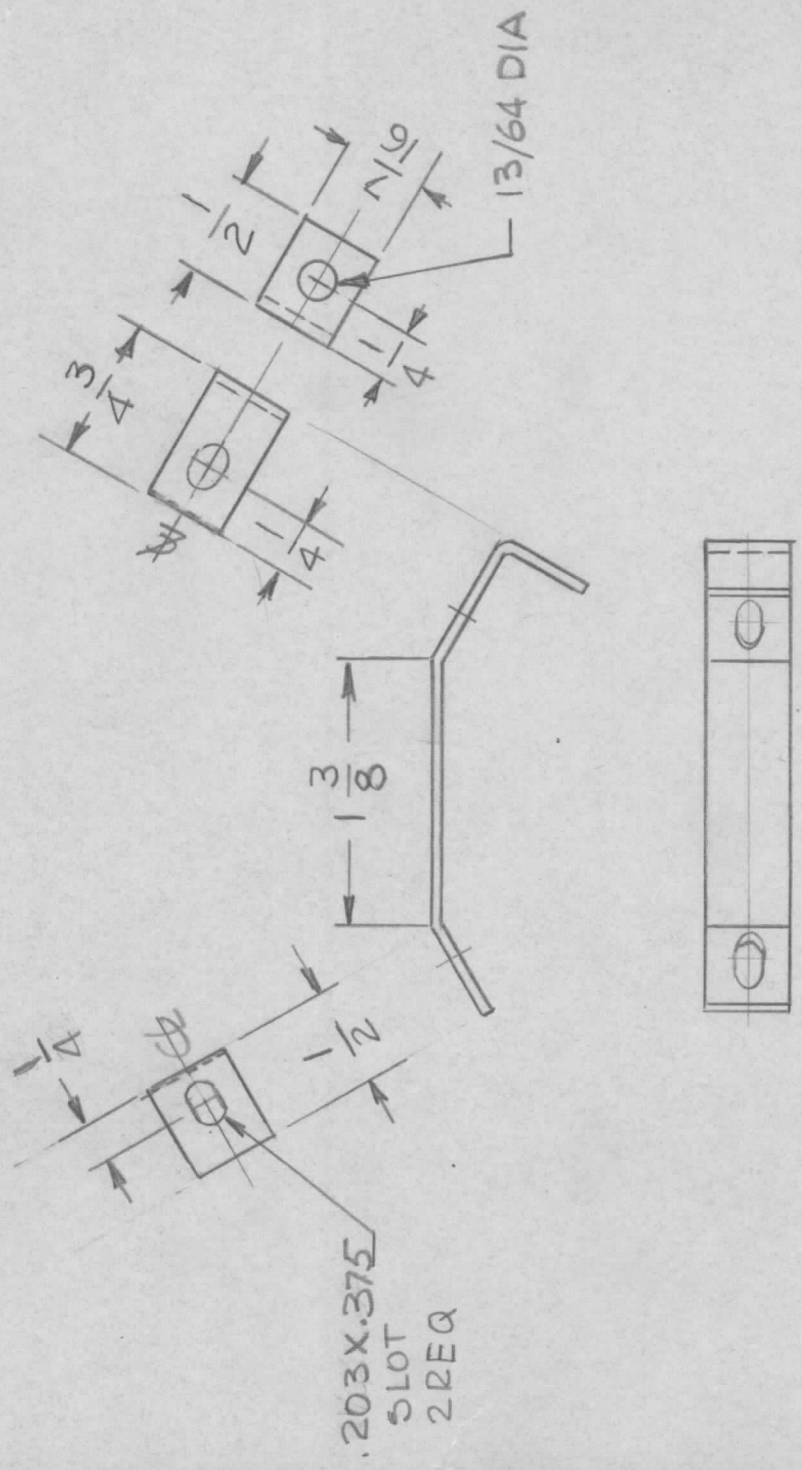


APPLICATION

REVISIONS

QTY	MODEL USED ON	ASSY NO.	LTR	DESCRIPTION	DATE	E.M.N.NO	DRAFT	CHKD	APPD
2	TLAA-1K	CL463	Ø	ORIGINAL RELEASE FOR PROD	8/76	-	CL	MB	*



UNLESS OTHERWISE SPECIFIED DIMENSIONS ARE IN INCHES AND INCLUDE CHEMICALLY APPLIED OR PLATED FINISHES	REQ'D ITEM	PART NUMBER	DESCRIPTION	SYM.
	LIST OF MATERIAL			
DECIMALS .X ± .05 .XX ± .01 .XXX ± .005	FINAL APPROVAL *	DATE 8-12-76	THE TECHNICAL MATERIEL CORP. MAMARONECK, NEW YORK	
FRACTIONS 1/64 ANGLES 0°-30°	MECH. DES.	DATE		
MATERIAL .063 THK ALY 5052-H32	ELECT. DES.	DATE		
FINISH 5404	CHECKED	DATE		
VEL IRIDITE	DRAWN G.D.L	DATE 4-23-76	BRACKET, MTG COIL	
NOTICE TO PERSONS RECEIVING THIS DRAWING THE TECHNICAL MATERIEL CORPORATION claims proprietary right in the material disclosed hereon. This drawing is issued in confidence for engineering information only and may not be reproduced or used to manufacture anything shown hereon without permission from THE TECHNICAL MATERIEL CORPORATION to the user. This drawing is loaned for mutual assistance and is subject to recall at any time.	SIZE A	CODE IDENT. NO. 82679	DWG NO. MS6708	ISSUE Ø
	SCALE 1:1	SHEET	OF	