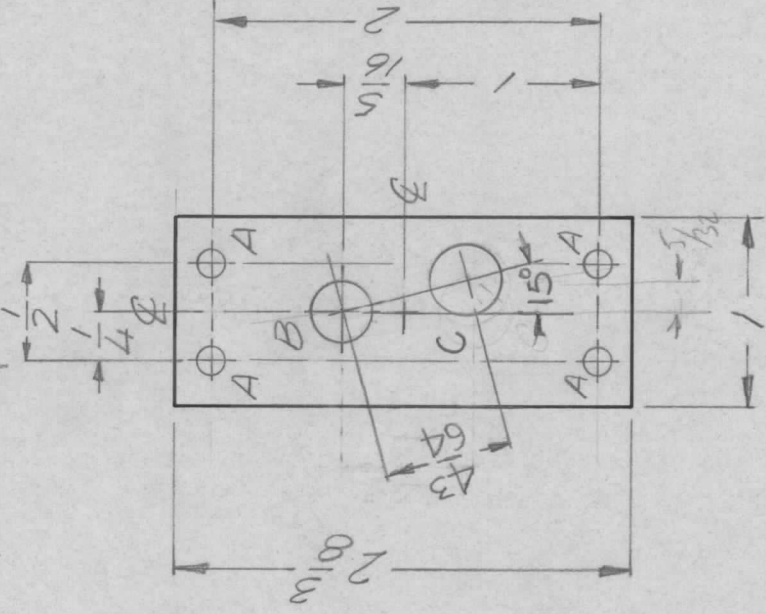


REVISIONS

APPLICATION

QTY	MODEL USED ON	ASS'Y NO.	LTR	DESCRIPTION	DATE	E.M.N.NO	DRAFT	CHKD	APPD
1	GPR 110	AX5186	XI	"C" HOLE RELOCATED	7-3-74		GDL		
				Ø ORIGINAL RELEASE	11-17-74		GDL		*



HOLE DESCRIPTION REQ.

- A — 9/64 DIA. — 4
- B — 5/16 DIA. — 1
- C — 3/8 DIA. — 1

UNLESS OTHERWISE SPECIFIED DIMENSIONS ARE IN INCHES AND INCLUDE CHEMICALLY APPLIED OR PLATED FINISHES	REQ'D ITEM	PART NUMBER	DESCRIPTION	SYM.
DECIMALS ± .05 TOLS. 1/64 .XX ± .01 ANGLES 0°-30' .XXX ± .005	FINAL APPROVAL	0013	LIST OF MATERIAL	
MATERIAL: 081 ALUM. 5052 H 32	MECH. DES.		THE TECHNICAL MATERIEL CORP. MAMARONECK, NEW YORK	
FINISH S4404 YEL. IRIDITE	ELECT. DES.		PLATE SW. REAR	
NOTICE TO PERSONS RECEIVING THIS DRAWING THE TECHNICAL MATERIEL CORPORATION claims proprietary right in the material disclosed hereon. This drawing is issued in confidence for engineering information only and may not be reproduced or used to manufacture anything shown hereon without permission from THE TECHNICAL MATERIEL CORPORATION to the user. This drawing is loaned for mutual assistance and is subject to recall at any time.	CHECKED		SIZE A	CODE IDENT. NO. 82679
	DRAWN	QE	SCALE 1:1	DWG NO. MS 6526
				ISSUE
				SHEET OF