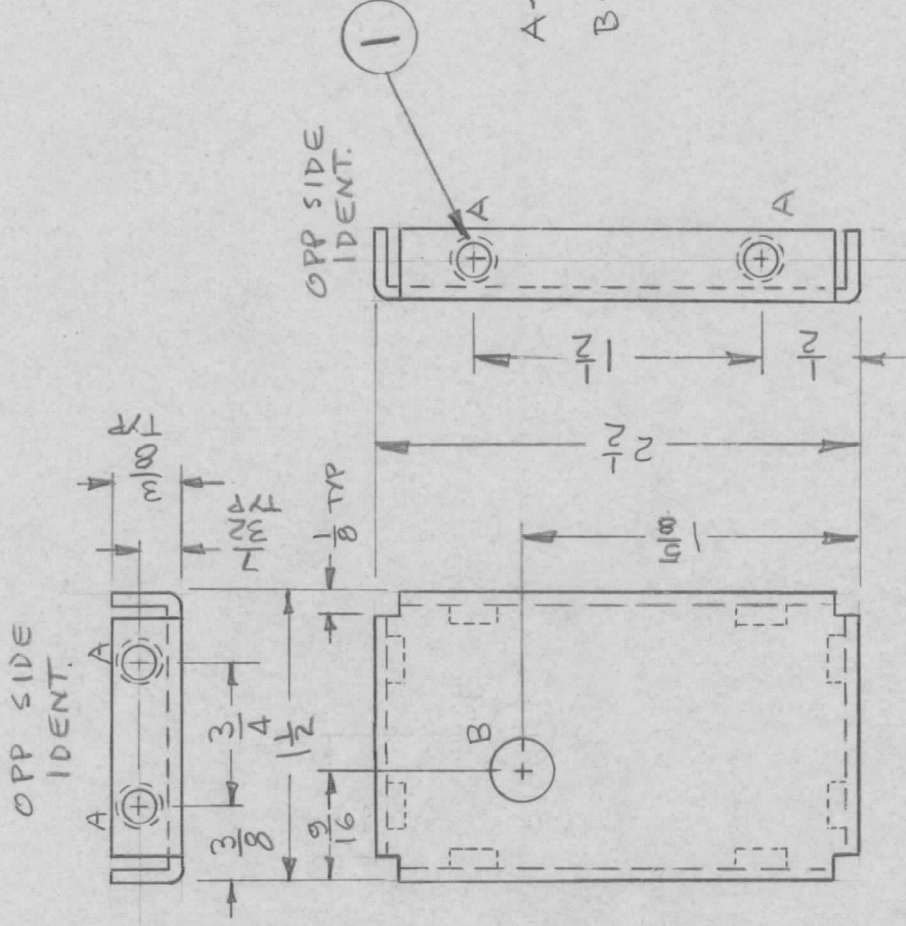


REVISIONS

APPLICATION

QTY	MODEL USED ON	ASS'Y NO.	LTR	DESCRIPTION	DATE	E.M.N.NO	DRAFT	CHKD	APPD
1	ATSA-3	AX5180	Ø	ORIGINAL RELEASE	11/30/73		DV		



A ~ .164 - .164 DIA 8 REQ'D.
 B ~ 5/16 DIA. 1 REQ'D

8	1	NT29-0440-4	NUT, SWAGETYPE	A
LIST OF MATERIAL				
THE TECHNICAL MATERIEL CORP. MAMARONECK, NEW YORK				
PLATE, CENTER				
UNLESS OTHERWISE SPECIFIED DIMENSIONS ARE IN INCHES AND INCLUDE CHEMICALLY APPLIED OR PLATED FINISHES	REQ'D ITEM	PART NUMBER	DESCRIPTION	SYM.
DECIMALS	FINAL APPROVAL	DATE	DATE	
.X ± .05	888	1/9/73		
.XX ± .01	MECH. DES.	DATE	DATE	
.XXX ± .005	ELECT. DES.	DATE	DATE	
MATERIAL .064	CHECKED	DATE	DATE	
ALUH 5052-H32	DRAWN	DATE	DATE	
FINISH 5404 YEL IRID				

NOTICE TO PERSONS RECEIVING THIS DRAWING
 THE TECHNICAL MATERIEL CORPORATION claims proprietary right in the material disclosed hereon. This drawing is issued in confidence for engineering information only and may not be reproduced or used to manufacture anything shown hereon without permission from THE TECHNICAL MATERIEL CORPORATION to the user. This drawing is loaned for mutual assistance and is subject to recall at any time.

SIZE	CODE IDENT. NO.	DWG NO.	ISSUE
A	82679	MS6473	Ø
SCALE	SHEET	OF	