

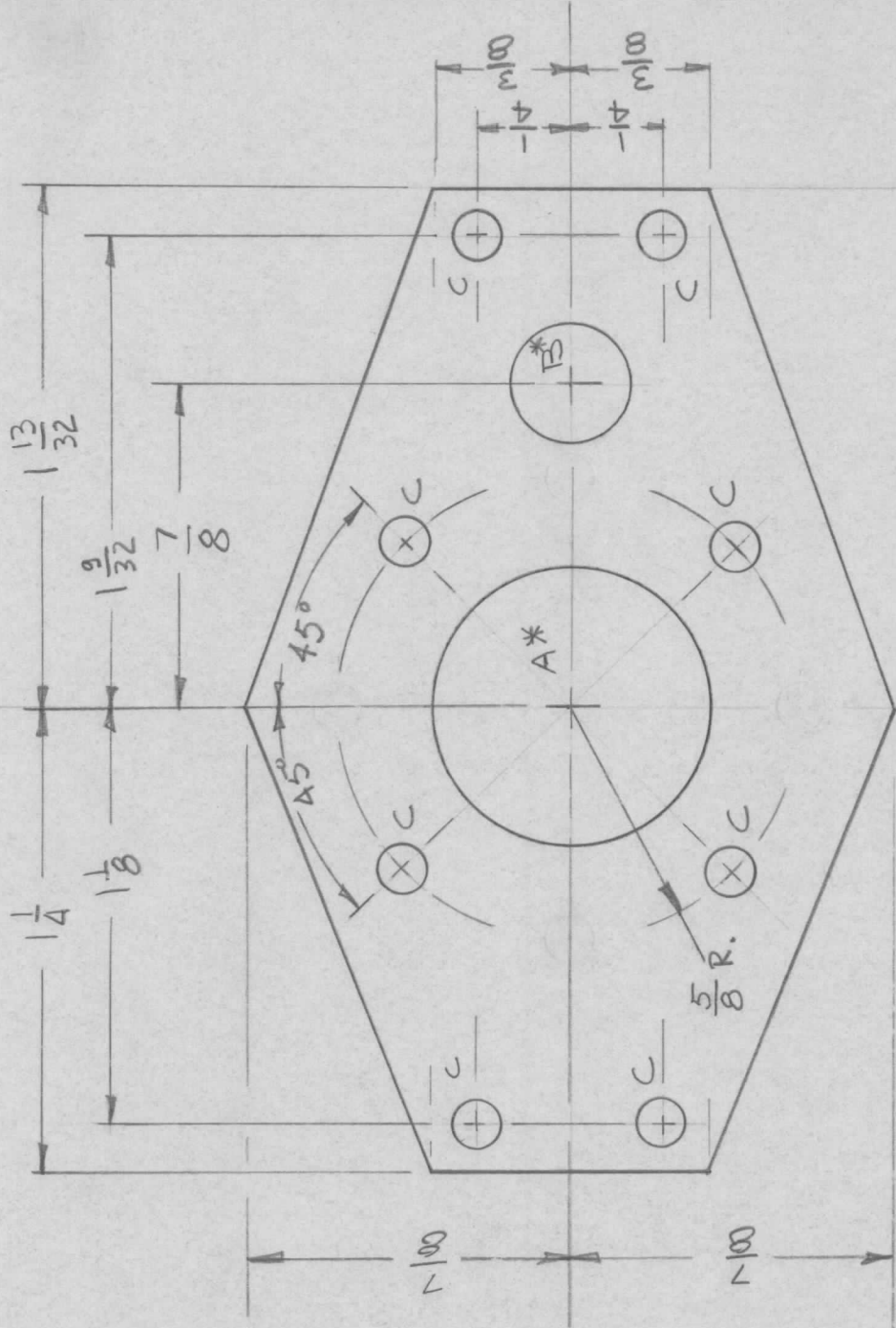
APPLICATION

QTY 1
 MODEL USED ON AX5176
 ASS'Y NO. AX5178

LTR \emptyset

REVISIONS

DESCRIPTION ORIGINAL RELEASE
 DATE 11/30/73
 E.M.N.NO.
 DRAFT DV
 CHKD
 APPD



A ~ 13/16 DIA 1 REQ'D
 B ~ 11/32 DIA 1 REQ'D
 C ~ 1/8 DIA 8 REQ'D

ROUND ALL CORNERS & EDGES.

* CHAMFER EDGES OF "A" & "B" HOLES.

UNLESS OTHERWISE SPECIFIED DIMENSIONS ARE IN INCHES AND INCLUDE CHEMICALLY APPLIED OR PLATED FINISHES

DECIMALS .X ± .05
 .XX ± .01
 .XXX ± .005

FRACTIONS 1/64

TOLS. ANGLS 0°-30°

MATERIAL .125 AWH
 5052-H32

FINISH 5404 YEL IRID

REQ'D	ITEM	PART NUMBER	DESCRIPTION	SYM.
LIST OF MATERIAL				
THE TECHNICAL MATERIEL CORP. MAMARONECK, NEW YORK				
FINAL APPROVAL	COB	DATE 11/16/73		
MECH. DES.		DATE		
ELECT. DES.		DATE		
CHECKED		DATE		
DRAWN		DATE 11/14/73		

ROTOR, COIL ASS'Y

SIZE A
 CODE IDENT. NO. 82679
 DWG NO. MS6469
 SCALE OF SHEET OF ISSUE

NOTICE TO PERSONS RECEIVING THIS DRAWING
 THE TECHNICAL MATERIEL CORPORATION claims proprietary right in the material disclosed herein. This drawing is issued in confidence for engineering information only and may not be reproduced or used to manufacture anything shown hereon without permission from THE TECHNICAL MATERIEL CORPORATION to the user. This drawing is loaned for mutual assistance and is subject to recall at any time.