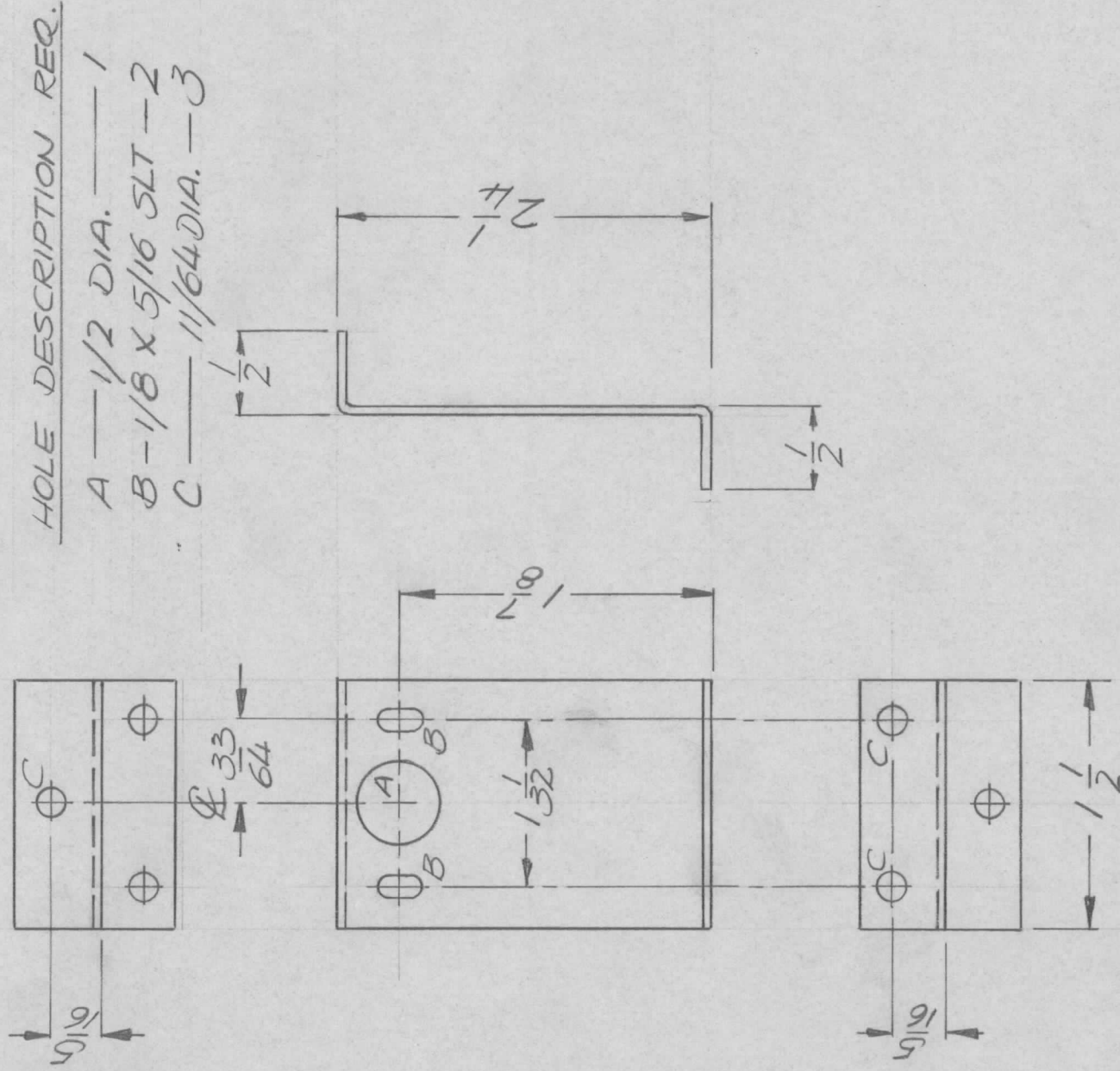


APPLICATION

REVISIONS

QTY	MODEL USED ON	ASSY NO.	LTR	DESCRIPTION	DATE	E.M.N.NO	DRAFT	CHKD	APPD
1	TM-125		Ø	ORIG RELEASE FOR PROD	3/23/78		cl.		



UNLESS OTHERWISE SPECIFIED DIMENSIONS ARE IN INCHES AND INCLUDE CHEMICALLY APPLIED OR PLATED FINISHES		REQ'D ITEM	PART NUMBER	DESCRIPTION	SYM.
DECIMALS		O.P.		LIST OF MATERIAL	
FRACTIONS		FINAL APPROVAL		THE TECHNICAL MATERIEL CORP.	
.X ± .05 TOLS. 1/64		MECH. DES.		MAMARONECK, NEW YORK	
.XX ± .01 ANGLES 0°-30°		ELECT. DES.		BRACKET SW. MTG. (REAR)	
.XXX ± .005		CHECKED			
MATERIAL 5052 H32		DRAWN			
FINISH .064 ALLUM		DATE			
5/10		DATE			
5/10		DATE			
5/10		DATE			

SIZE	CODE IDENT. NO.	DWG NO.	ISSUE
A	82679	MS 6380	Ø
SCALE 1:1	SHEET	OF	

NOTICE TO PERSONS RECEIVING THIS DRAWING
 THE TECHNICAL MATERIEL CORPORATION claims proprietary right in the material disclosed hereon. This drawing is issued in confidence for engineering information only and may not be reproduced or used to manufacture anything shown hereon without permission from THE TECHNICAL MATERIEL CORPORATION to the user. This drawing is loaned for mutual assistance and is subject to recall at any time.