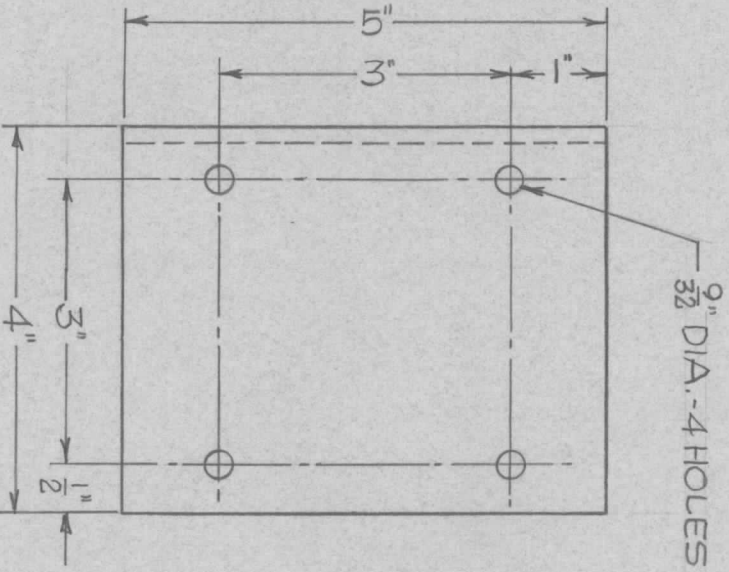
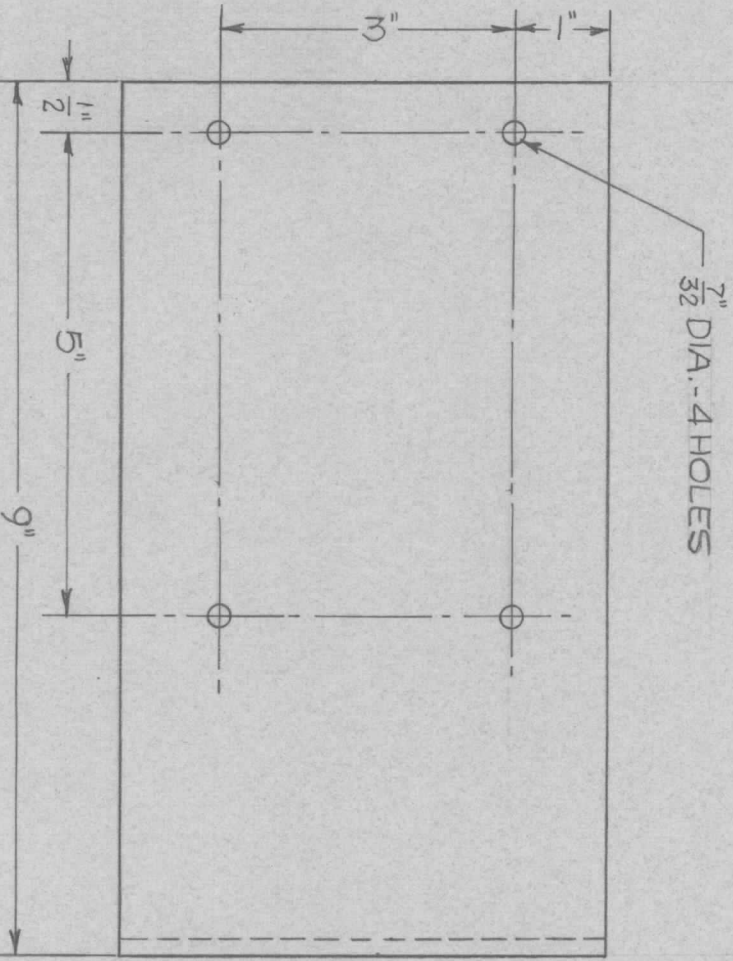


REVISIONS				
LTR	DESCRIPTION	DATE	DRAFT	APPD



2 REQ'D. PER UNIT
277/480V UNIT ONLY

STAMP M56152

QTY REQ	ITEM	PART NO.	MANUFACTURER	DESCRIPTION	SYM
---------	------	----------	--------------	-------------	-----

PARTS LIST

THE TMC SYSTEMS AND POWER CORPORATION
SPRINGFIELD, VIRGINIA
HEATER CONTACTOR BRACKET

DRAWN FERNANDEZ	DATE 1/9/73
CHECKED	DATE
D. ENG.	DATE

P. ENG.	DATE
P. MGR.	DATE

CHIEF, ENG. DEPT.	DATE
-------------------	------

MATERIAL 3/16" CRS	
FINISH TMC SPEC. P1000	

SIZE B	CODE IDENT NO. 24146	DWG. NO. M56152	REV
SCALE 1/2			SHEET 1 OF 1

EG5500B	USED ON
	APPLICATION

NOTICE TO PERSONS RECEIVING THIS DRAWING
THE TMC SYSTEMS AND POWER CORPORATION claims proprietary right in the material disclosed hereon. This drawing is issued in confidence for engineering information only and may not be reproduced or used to manufacture anything shown hereon without permission from THE TMC SYSTEMS AND POWER CORPORATION to the user. This drawing is loaned for mutual assistance and is subject to recall at any time.