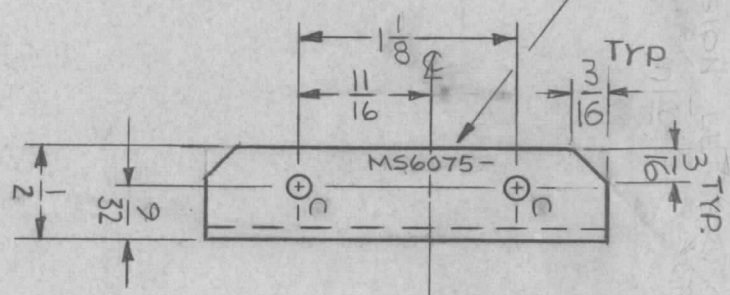
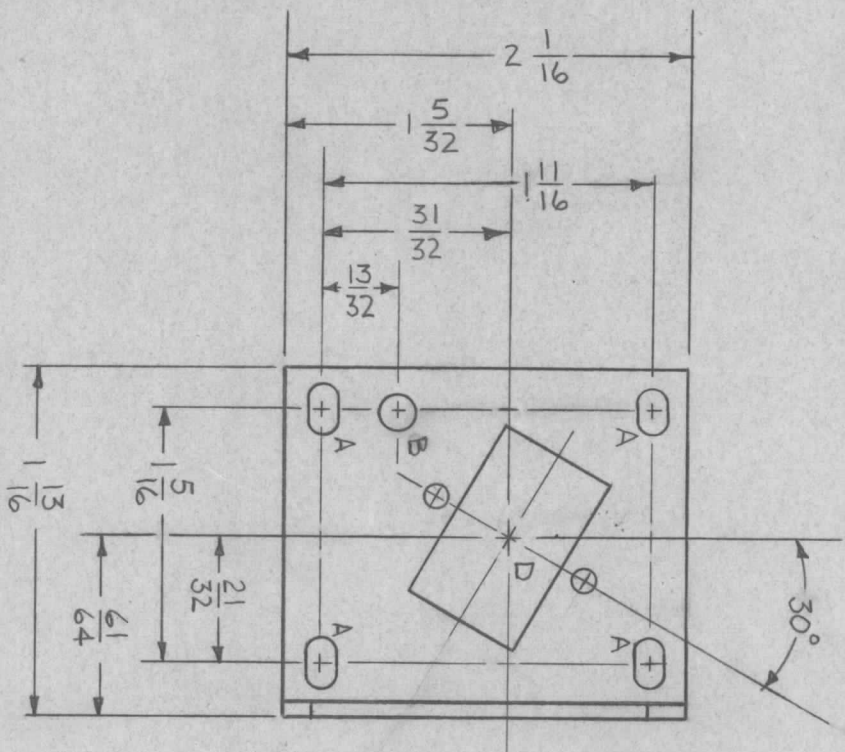
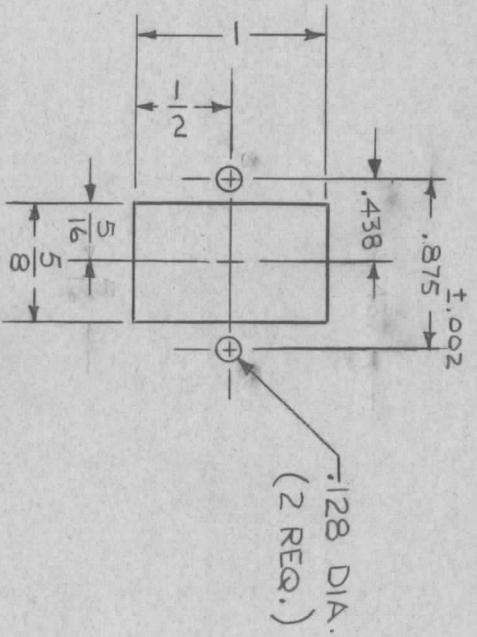


REVISIONS						
ZONE	LTR	DESCRIPTION	DATE	E.M.N. NO	DRAFT	CHKD
	X	EXPERIMENTAL RELEASE	1-17-67	X	RME	<i>[Signature]</i>
	X1	NOTCHS ON SIDE VIEW ADDED	1-27-67		RME	<i>[Signature]</i>
	X2	REMOVED HF5R-4	11-10-67		RME	<i>[Signature]</i>
	Ø	ORIGINAL RELEASE	8/7/69		Ø	<i>[Signature]</i>

MARK TMC PART NO 1/8 HIGH  
GOTHIC W/LATEST REV. LETTER



HOLE	DESCRIPTION	REQ'D
A	1 1/64 X 1/4 SLOT	4
B	3/16 DIA.	1
C	.128 DIA.	2
D	SEE DETAIL	1



DETAIL "D"

- UNLESS OTHERWISE SPECIFIED:
1. USE MATERIAL THICKNESS FOR MAXIMUM RADIUS ON ALL BENDS
  2. ALL ANGULAR BENDS 90 DEGREES
  3. REMOVE ALL BURRS AND SHARP EDGES

QTY / UNIT	MODEL USED ON	ASSY NO.
7	VOX-7	BMA 114
5	MXX-( )	BMA 105
APPLICATION		
S401-451	CODE	A

DECIMALS	FRACTIONS
X ± .05	1/64
.XX ± .01	ANGLES
.XXX ± .005	0° - 30'
MATERIAL	
.064 THK. ALUMINUM	
5052-H32	
FINISH	
S404 YEL. IRIDITE	

REQ'D ITEM	PART NUMBER	DESCRIPTION	SYM.
O. POSE		LIST OF MATERIAL SK 3213 MS 61	
<p>FINAL APPROVAL <i>[Signature]</i> DATE 8/7/69</p> <p>CHECKED <i>[Signature]</i> DATE 8/24/69</p> <p>DRAWN RME DATE 1-17-67</p>			
<p>THE TECHNICAL MATERIEL CORP.</p> <p>MAMARONECK, NEW YORK</p> <p>PLATE, MOUNTING</p>			
SIZE	CODE IDENT. NO.	DWG NO.	ISSUE
B	82679	MS 6075	Ø
SCALE	SHEET		OF