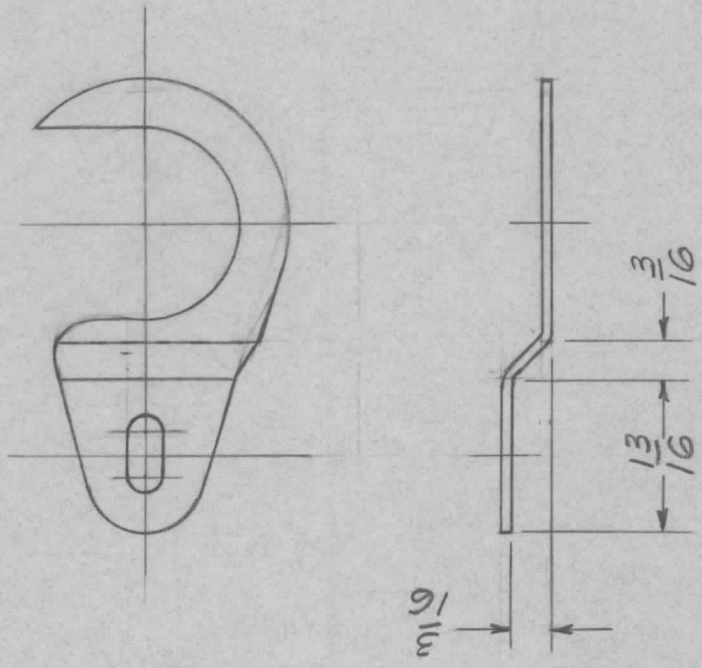


QTY	MODEL USED ON	ASS'Y NO.	LTR	DESCRIPTION	DATE	E.M.N.NO	DRAFT	CHKD	APPD
1	MTRM-150		Ø	ORIG RELEASE FOR PROD	7/17/69		CV		<i>JLS</i>



* USE PM 1166
 & BEND AS SHOWN

UNLESS OTHERWISE SPECIFIED DIMENSIONS ARE IN INCHES AND INCLUDE CHEMICALLY APPLIED OR PLATED FINISHES		REQ'D ITEM	PART NUMBER	DESCRIPTION	SYM.
DECIMALS	FRACTIONS	LIST OF MATERIAL SK3308 PM5			
.X ± .05	TOLS. 1/64	FINAL APPROVAL	DATE 7/17/69	THE TECHNICAL MATERIEL CORP.	
.XX ± .01	ANGLES 0° - 30'	MECH. DES.	DATE 7/18/69	MAMARONECK, NEW YORK	
.XXX ± .005		ELECT. DES.	DATE 7/15/69	PLATE, TUBE SUPPORT	
MATERIAL *		CHECKED	DATE 7-2-69	(ALTERED)	
FINISH		DRAWN	DATE 3/4/69	SIZE A	CODE IDENT. NO. MS 5464
NOTICE TO PERSONS RECEIVING THIS DRAWING		SCALE		DWG NO.	ISSUE
THE TECHNICAL MATERIEL CORPORATION claims proprietary right in the material disclosed hereon. This drawing is issued in confidence for engineering information only and may not be reproduced or used to manufacture anything shown hereon without permission from THE TECHNICAL MATERIEL CORPORATION to the user. This drawing is loaned for mutual assistance and is subject to recall at any time.					Ø