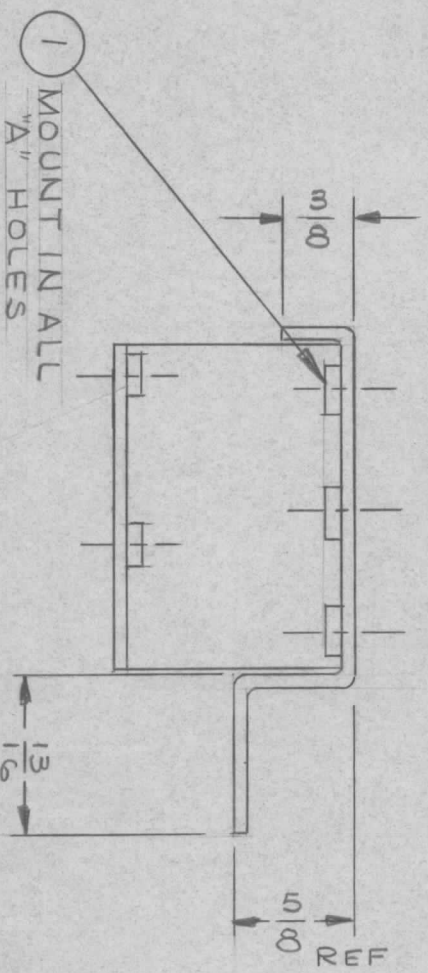
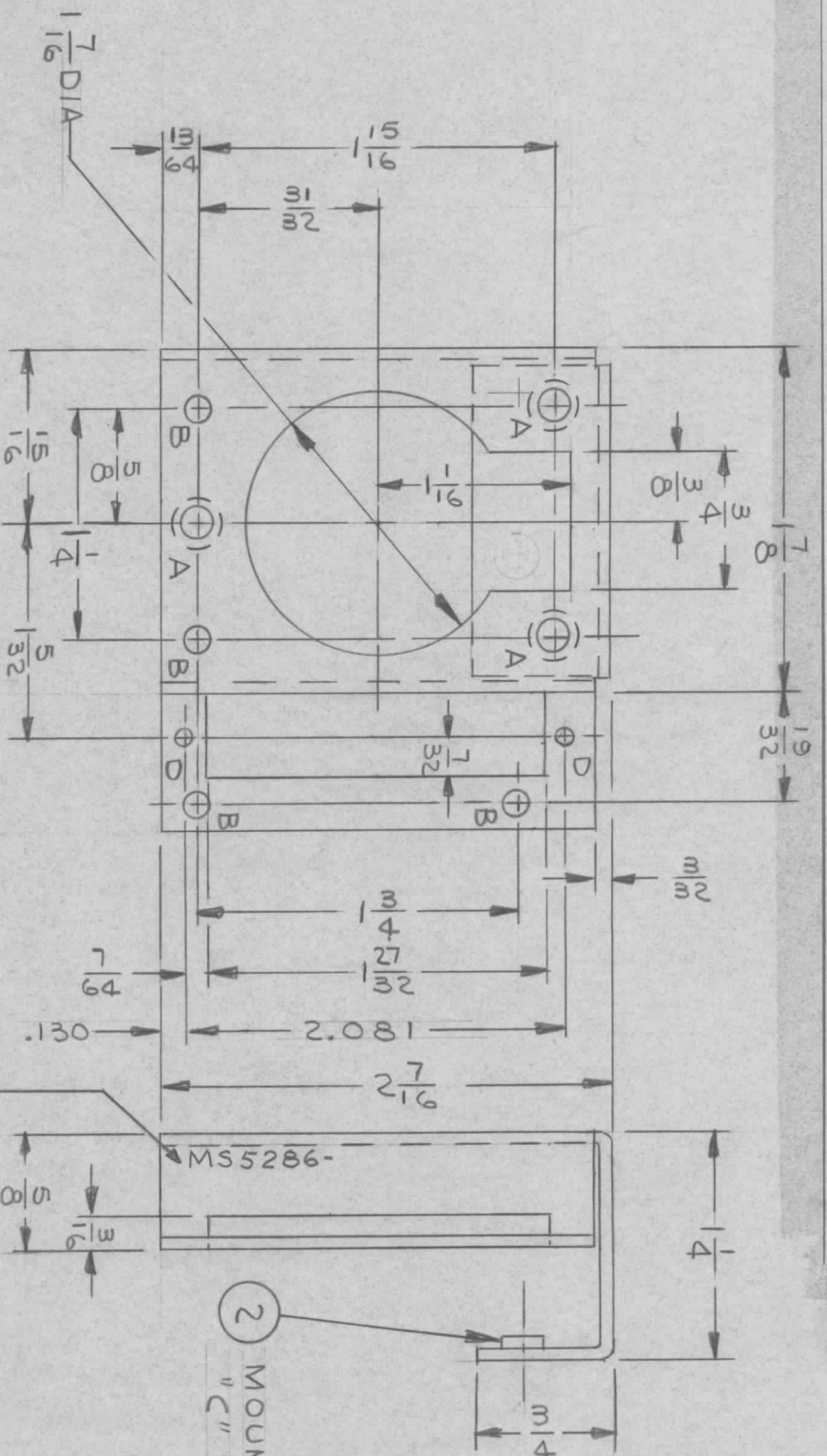
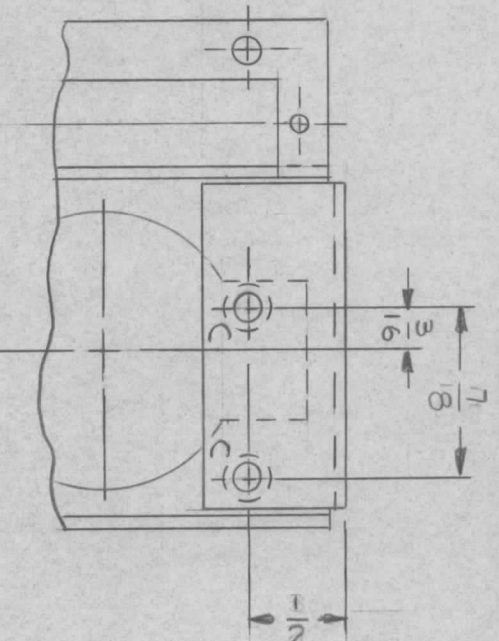


ZONE	LTR	DESCRIPTION	DATE	E.M.N. NO	DRAFT	CHKD	APPD
Ø	Ø	ORIG. RELEASE FOR PROD	11-7-68	Ø	R.G.		<i>File</i>



MARK TMC P/N & HIGH
GOTHIC W/LATEST REV.
LETTER

HOLE	DESCRIPTION	REQ
A	.191-.194 DIA	3
B	1/16 DIA	4
C	.161-.164 DIA	2
D	3/32 (.0937) DR	2

REF: LD2338

REQ'D ITEM	PART NUMBER	DESCRIPTION	SYM.
2	NT129-440-4	NUT, PLAIN, SPLINE	C
3	NT129-632-4	NUT, PLAIN, SPLINE	A

LIST OF MATERIAL SK 3252-003-5

THE TECHNICAL MATERIEL CORP.
MAMARONECK, NEW YORK

SUPPORT REAR,
LEDEX CHASSIS

QTY / UNIT	HERR-4	MODEL USED ON	ASSY NO.
APPLICATION	CODE	S401-451	

UNLESS OTHERWISE SPECIFIED:

- USE MATERIAL THICKNESS FOR MAXIMUM RADIUS ON ALL BENDS
- ALL ANGULAR BENDS 90 DEGREES
- REMOVE ALL BURRS AND SHARP EDGES
- MOUNT INSERTS AFTER FINISHING

NOTICE TO PERSONS RECEIVING THIS DRAWING
THE TECHNICAL MATERIEL CORPORATION claims proprietary right in the material disclosed hereon. This drawing is issued in confidence for engineering information only and may not be reproduced or used to manufacture anything shown hereon without permission from THE TECHNICAL MATERIEL CORPORATION to the user. This drawing is loaned for mutual assistance and is subject to recall at any time.

DECIMALS	FRACTIONS	TOLS.	ANGLES
.XX ± .05	1/64		0°-30'
.XX ± .01			
.XXX ± .005			
MATERIAL			
063 ALUMINUM			
B052-H32			
FINISH S404			
YELLOW IRIDITE			

FINAL APPROVAL	DATE
Mech. Des.	11-6-68
ELECT. DES.	DATE
CHECKED	DATE
DRAWN	DATE

SIZE	CODE IDENT. NO.	DWG NO.	ISSUE
B	82679	MS5286	
SCALE	1:1	SHEET	OF