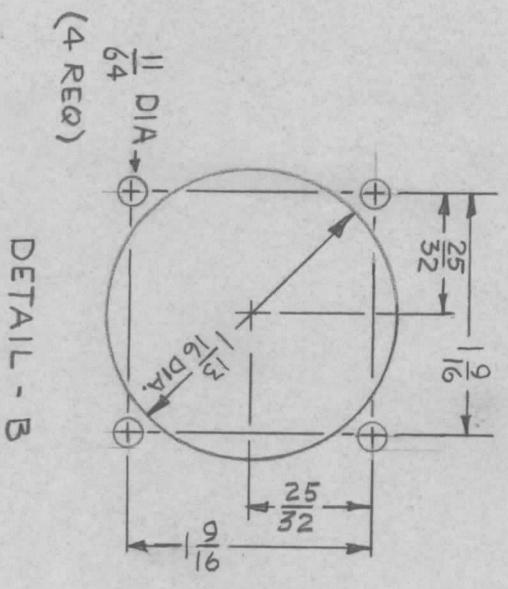
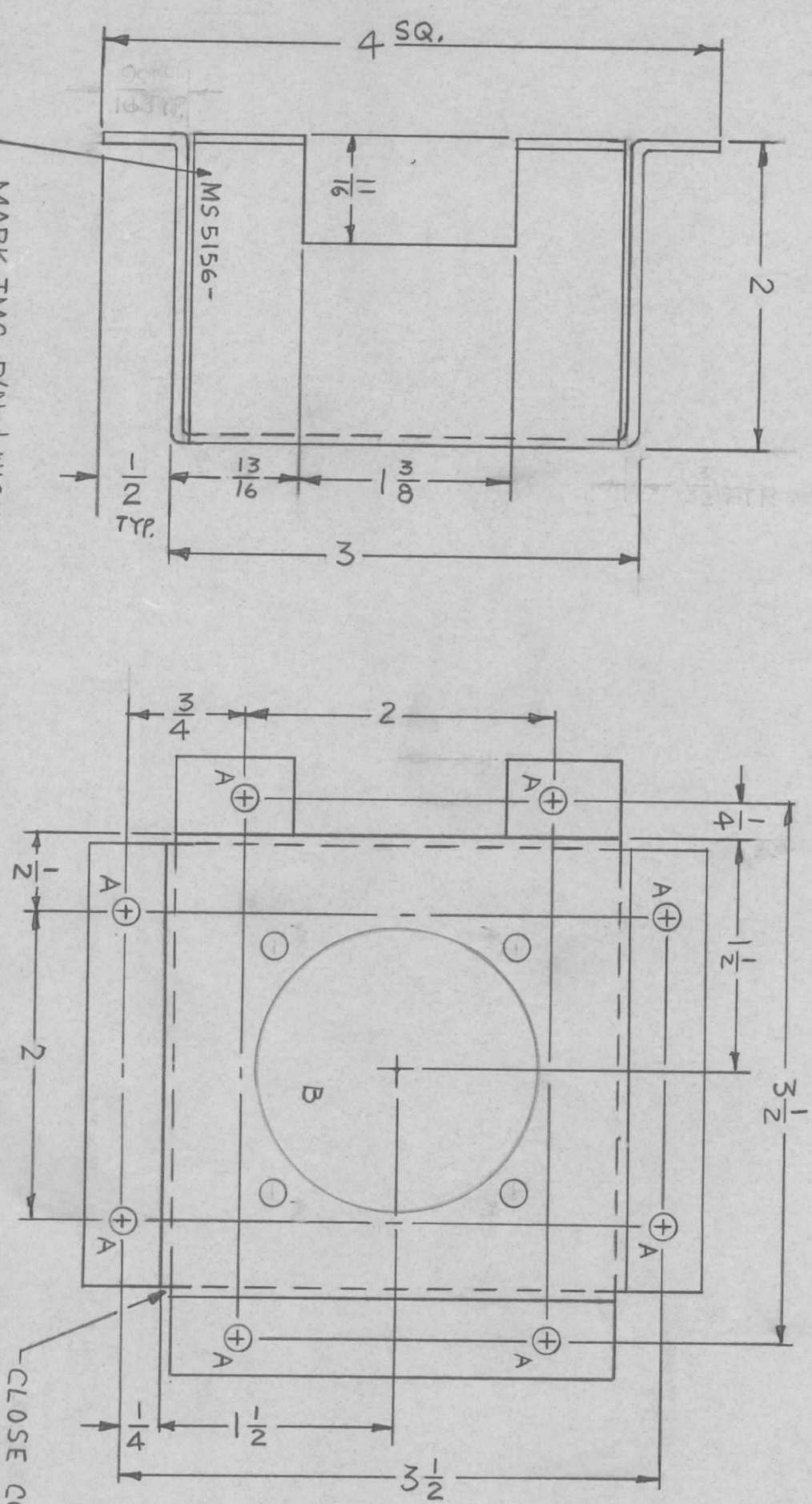


REVISIONS						
ZONE	LTR	DESCRIPTION	DATE	EM.N.NO	DRAFT	CHKD
	X	EXP. RELEASE	11-2-67		MS	MS
	Ø	ORIGINAL RELEASE FOR PRODUCTION	4-1-68		MS	MS



HOLE	DESCRIPTION	REQ
A	11/64 DIA	8
B	SEE DETAIL	1

REF. LD2283

REQ'D ITEM	PART NUMBER	DESCRIPTION	SYM.
F. BUDETTI		BRACKET, MTG CONN	SK 3290-MS 1D12

THE TECHNICAL MATERIEL CORP.
MAMARONECK, NEW YORK

BRACKET, MTG CONN

QTY / UNIT	MODEL USED ON	ASS'Y NO.
1	BCT-10KA	
APPLICATION		
	CODE	S401-451

UNLESS OTHERWISE SPECIFIED DIMENSIONS ARE IN INCHES AND INCLUDE CHEMICALLY APPLIED OR PLATED FINISHES

DECIMALS X ± .05 TOLS. 1/64
.XX ± .01 ANGLES 0°-30'
.XXX ± .005

MATERIAL. 064 ALUMINIUM
5052 - H32

FINISH S404 YEL
IRIDITE

- UNLESS OTHERWISE SPECIFIED:
1. USE MATERIAL THICKNESS FOR MAXIMUM RADIUS ON ALL BENDS
 2. ALL ANGULAR BENDS 90 DEGREES
 3. REMOVE ALL BURRS AND SHARP EDGES