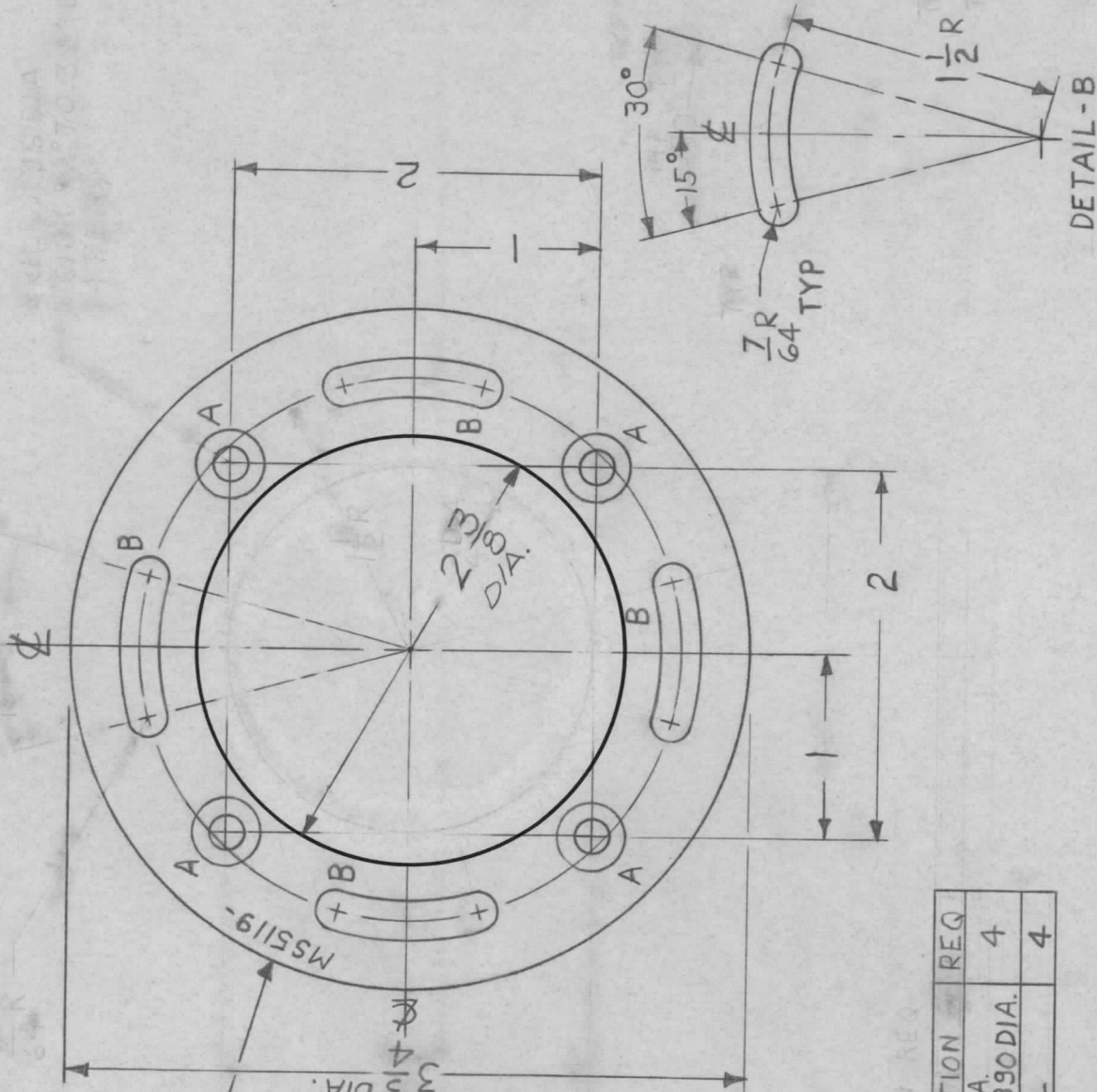


APPLICATION

QTY	MODEL USED ON	ASSY NO.	LTR
1	TLAA-2.5K	AS128	X

DESCRIPTION	DATE	E.M.N.NO	DRAFT	CHKD	APPD
EXPERIMENTAL RELEASE	5-26-67		L.A.K.		
ORIG. RELEASE FOR PROD.	6-1-67		RG		
2 3/8 WAS 2 DIMS 2	5-26-69	19470	GE		FB

REVISIONS



HOLE	DESCRIPTION	REQ
A	DRILL .196 DIA. CSINK 82° TO .390 DIA.	4
B	SEE DETAIL	4

UNLESS OTHERWISE SPECIFIED DIMENSIONS ARE IN INCHES AND INCLUDE CHEMICALLY APPLIED OR PLATED FINISHES

DECIMALS .XX ± .01  
FRACTIONS 1/64  
TOLS. ± .005  
ANGLES 0°-30'

MATERIAL 1/8 THK ALUM 5052-H32  
FINISH S404 YELLOW IRIDITE

REQ'D ITEM	PART NUMBER	DESCRIPTION	SYM.
F. BUDETTI		LIST OF MATERIAL	
FINAL APPROVAL	DATE	THE TECHNICAL MATERIEL CORP. MAMARONECK, NEW YORK	
MECH. DES.	DATE	PLATE, MOUNTING LEDEX	
ELECT. DES.	DATE		
CHECKED	DATE		
DRAWN	DATE		

NOTICE TO PERSONS RECEIVING THIS DRAWING  
THE TECHNICAL MATERIEL CORPORATION claims proprietary right in the material disclosed hereon. This drawing is issued in confidence for engineering information only and may not be reproduced or used to manufacture anything shown hereon without permission from THE TECHNICAL MATERIEL CORPORATION to the user. This drawing is loaned for mutual assistance and is subject to recall at any time.

SIZE	CODE IDENT. NO.	DWG NO.	ISSUE
A	82679	MS5119	A
SCALE	1:1	SHEET	OF