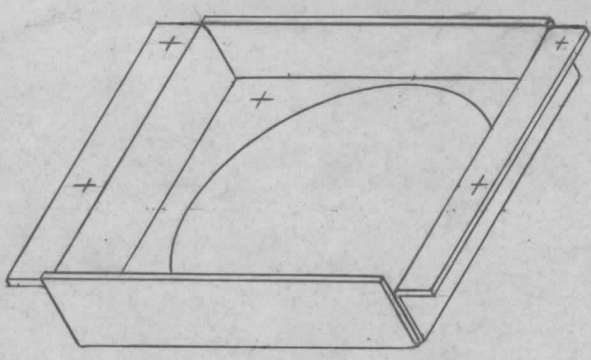


MARK TMC. PART NUMBER  
1/8 HIGH GOTHIC W/LATEST  
REVISION LETTER.

HOLES: A - 11/64 - 8 REQ.



REVISIONS		DATE	E.M.N. NO.	DRAFT	CHKD	APPD
Ø	ORIGINAL RELEASE FOR PRODUCTION	9/8/66	Ø	CV		

QTY./UNIT	MODEL USED ON	ASS'Y. NO.
1	KIT-317	
SCALE		
1-1		

REQ'D.	ITEM	PART NUMBER	DESCRIPTION	SYMBOL
			LIST OF MATERIAL	
			THE TECHNICAL MATERIEL CORP.	
			MAMARONECK, NEW YORK	
			HOUSING, FAN	

MATERIAL	.062 ALUMINUM 5052 - H32
FINISH	S404 YELLOW IRIDITE

UNLESS OTHERWISE SPECIFIED DIMENSIONS ARE IN INCHES AND INCLUDE CHEMICALLY APPLIED OR PLATED FINISHES	DRAWN RME	DATE 8.11.66	FINAL APPROVAL	DATE
DECIMALS X ± .05 .XX ± .01 .XXX ± .005	CHECKED [Signature]		[Signature]	
TOLERANCES	ELECT. DES.	DATE		
FRACTIONS ± 1/64 ANGLES ± 0° 30'	MECH. DES.	DATE		
			MS 5028	
				REV. LTR.

NOTES

THE CONTENTS OF THIS DRAWING ARE THE EXCLUSIVE PROPERTY OF THE TECHNICAL MATERIEL CORP. ITS UNAUTHORIZED USE OR REPRODUCTION IN WHOLE OR IN PART IS STRICTLY FORBIDDEN.