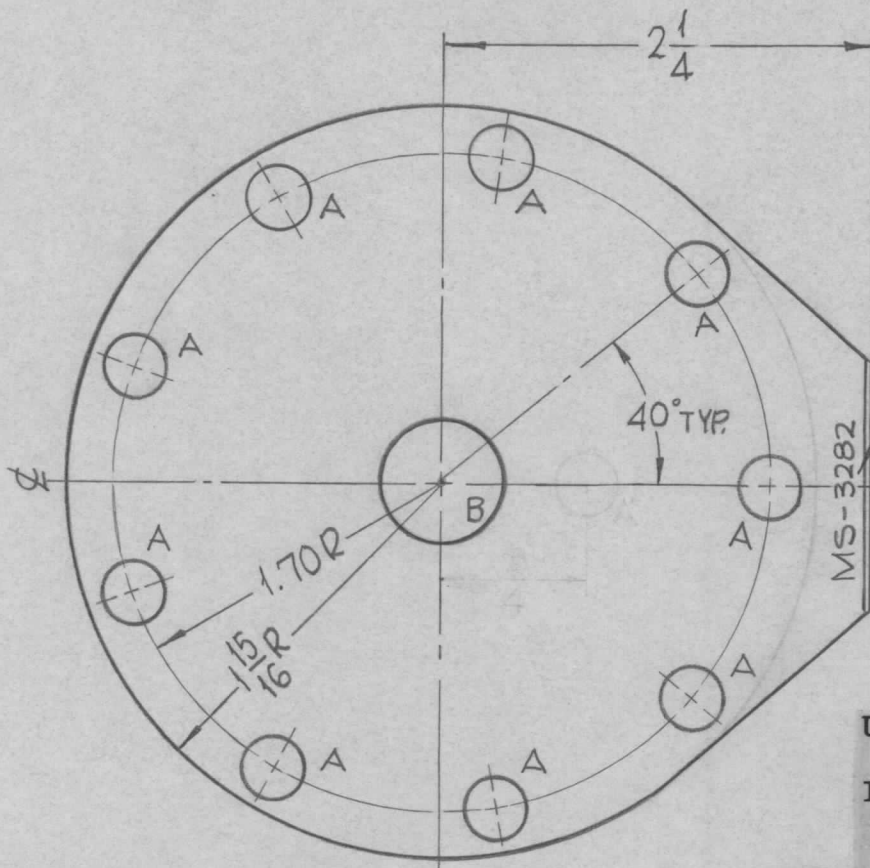
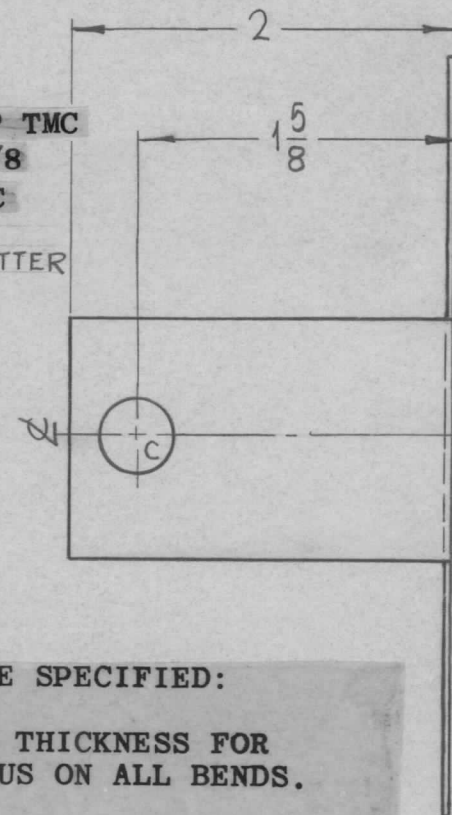


REQ. PER UNIT	USED ON			MS-3282 ○
	MODEL	ASS'Y. NO.	DATE	
2	GPT-200K	AX-393	4-20-64	



METAL STAMP TMC  
PART NO. 1/8  
HIGH GOTHIC  
W/LATEST  
REVISION LETTER



HOLES: REQ.  
A-5/16 DIA-9  
B-5/8 DIA-1  
C-3/8 DIA-1

UNLESS OTHERWISE SPECIFIED:

1. USE MATERIAL THICKNESS FOR MAXIMUM RADIUS ON ALL BENDS.
2. ALL ANGULAR BENDS 90°.
3. REMOVE ALL BURRS AND SHARP EDGES.

REQ.	ITEM	PART NO.	F. BUDETTI DESCRIPTION			SYMBOL
			.030 THICK			THE TECHNICAL MATERIEL CORP. MAMARONECK, NEW YORK
			STOCK SIZE			
○			COPPER			PLATE, CONNECTOR, CAPACITOR
SYM	DESCRIPTION	DATE	CH. NO.	DRAFTS	CHECKER	ENG. APP.
	UNLESS OTHERWISE SPECIFIED DIMENSIONS ARE IN INCHES AND INCLUDE CHEMICALLY APPLIED OR PLATED FINISHES	SCALE	1"=1"			
DECIMALS .X ± .05 .XX ± .01 .XXX ± .005	TOLERANCES	FRACTIONS ± 1/64 ANGLES ± 0° 30'	CODE A			
					SOFT	SRG aa
					TYPE & TEMPER	HEAT TREAT. SPEC.
					S-245 SILVER PLATE	DB
					FINISH & SPEC. NO.	ELEC. DES. APP. MECH. DES. APP.
						MS-3282 ○