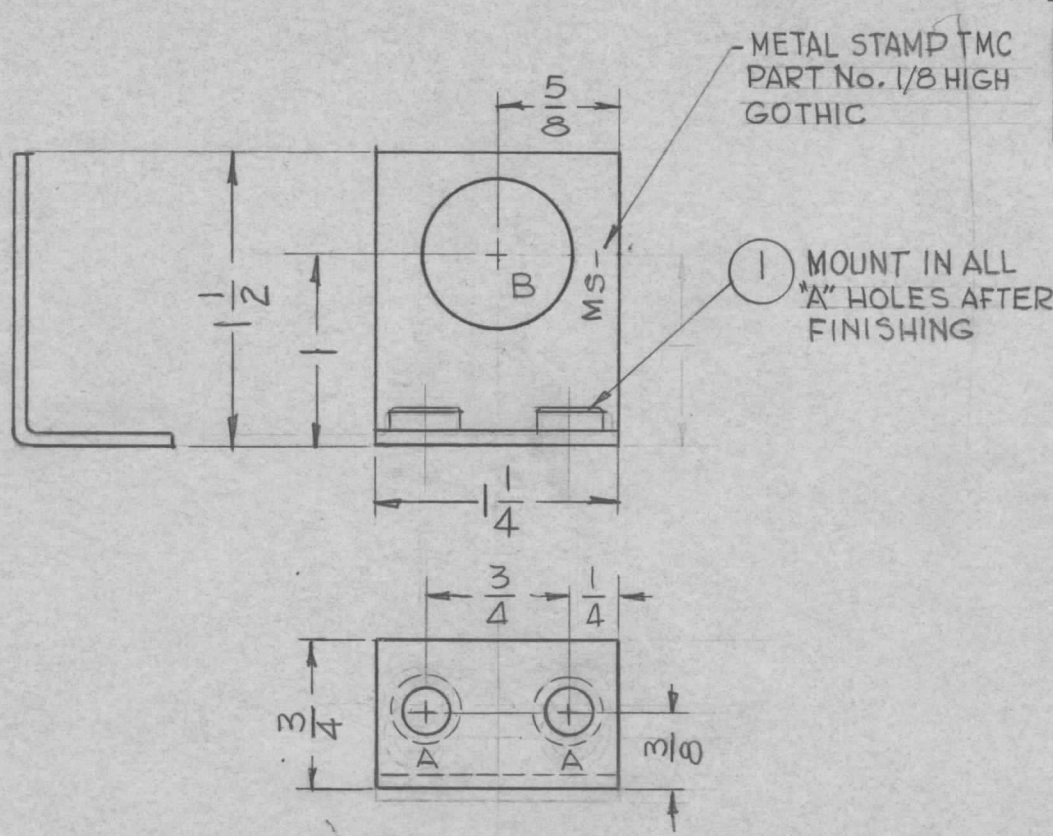


THE CONTENTS OF THIS DRAWING ARE THE EXCLUSIVE PROPERTY OF THE TECHNICAL MATERIEL CORP. ITS UNAUTHORIZED USE FOR REPRODUCTION IN WHOLE OR IN PART IS STRICTLY FORBIDDEN.

REQ. PER UNIT  
7

USED ON  
MODEL: TER-100K  
ASS'Y. NO.  
DATE: 4-15-63

MS-3136



HOLE	DESCRIPTION	REQ'D
A	.224 - .221 DIA.	2
B	3/4 DIA.	1

2	1	NT-129-832-4	NUT, ROUND, SWAGE TYPE	A
REQ. ITEM	PART NO.		DESCRIPTION	SYMBOL
	.081 THK.		THE TECHNICAL MATERIEL CORP. MAMARONECK, NEW YORK	
	STOCK SIZE		BRACKET, CAPACITOR MTG.	
	ALUMINUM			
	MATERIAL			
	5052-H32		G.D.L.	J.R.S.
	TYPE & TEMPER	HEAT TREAT. SPEC.	DRAWN	CHECKED
	S404 YEL. IRIDITE		FINAL APPROVAL	
	FINISH & SPEC. NO.		ELEC. DES. APP.	MECH. DES. APP.
				MS-3136

ORIGINAL RELEASE FOR PRODUCTION

6-9-65 JC

SYM	DESCRIPTION	DATE	CH. NO.	DRAFTS	CHECKER	ENG. APP.
	UNLESS OTHERWISE SPECIFIED DIMENSIONS ARE IN INCHES AND INCLUDE CHEMICALLY APPLIED OR PLATED FINISHES	SCALE DO NOT SCALE				
DECIMALS	TOLERANCES	FRACTIONS	CODE			
.X ± .05		± 1/64				
.XX ± .01		ANGLES				
.XXX ± .005		± 0° 30'				