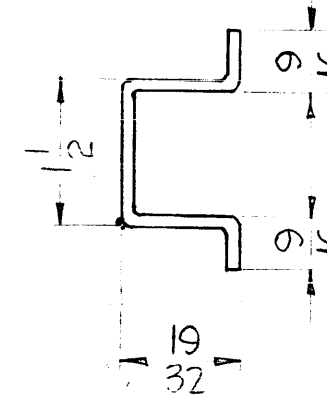
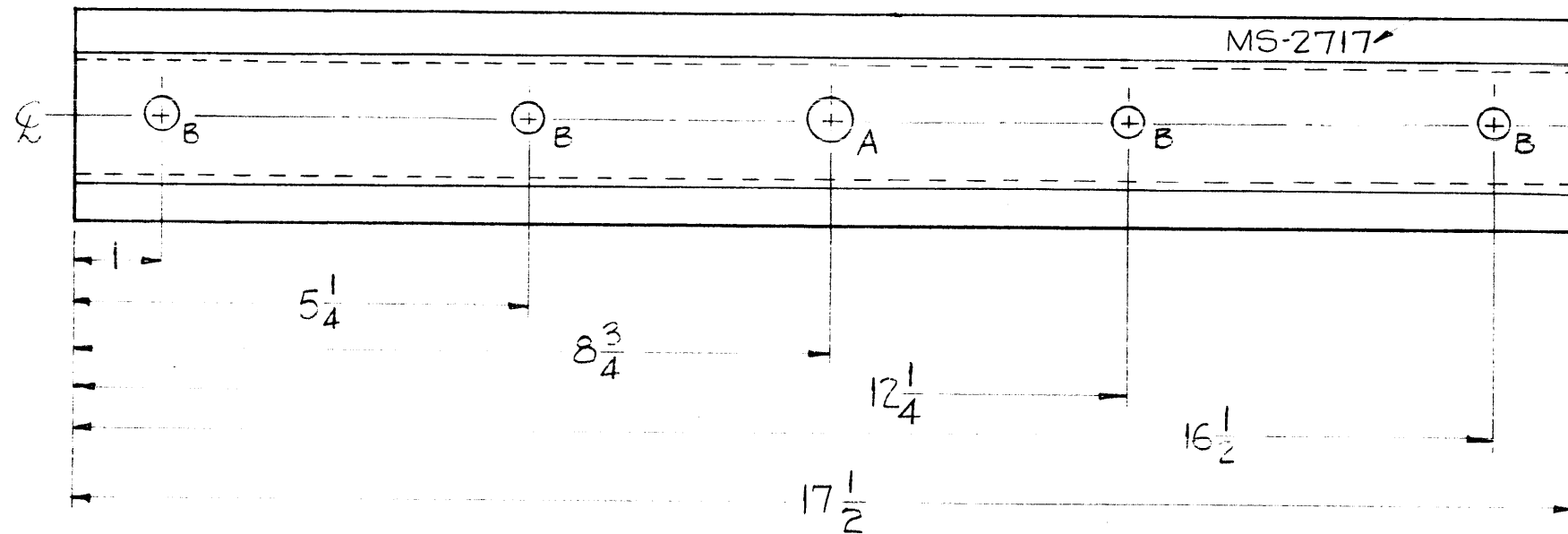


MS-2717

HOLES
 A ~ 17/32 Dia.
 B ~ 13/32 Dia.
 REQ. 1
 4

METAL STAMP TMC PART NO $\frac{1}{8}$ HIGH GOTHIC AS SHOWN.



USE MATERIAL THICKNESS FOR MAX. RADIUS
 ON ALL BENDS UNLESS OTHERWISE SPECIFIED

NOTICE TO PERSONS RECEIVING THIS DRAWING

THE TECHNICAL MATERIEL CORPORATION claims proprietary right in the material disclosed hereon. This drawing is issued in confidence for engineering information only and may not be reproduced or used to manufacture anything shown hereon without permission from THE TECHNICAL MATERIEL CORPORATION to the user. This drawing is loaned for mutual assistance and is subject to recall at any time.

Property of:
 THE TECHNICAL MATERIEL CORPORATION
 MAMARONECK, NEW YORK

SYM	DESCRIPTION	DATE	CH. NO.	DRAFTS	CHECKER	ENG. APP.
		8/25/61		WAF		
UNLESS OTHERWISE SPECIFIED:		SCALE:				
DIMENSIONS ARE IN INCHES		MAXIMUM ALLOWABLE TOLERANCES HAVE BEEN DETERMINED AND ANY DEVIATIONS WILL BE CAUSE FOR REJECTION.				
TOLERANCES ON FRACTIONS $\pm 1/64$ DECIMALS $\pm .005$ ANGLES $\pm 1/2^\circ$		REMOVE ALL BURRS AND SHARP EDGES				

REQ. PER UNIT	MODEL	SECTION	ASS'Y. NO.	DATE
2	TRC-20K			10-19-61
USED ON				

REQ. ITEM	PART NO.	DESCRIPTION	SYMBOL
	.081	THE TECHNICAL MATERIEL CORP. MAMARONECK, NEW YORK	
	STOCK SIZE		
	ALUMINUM	BRACKET MOUNTING	
	MATERIAL		
5052-H32		DRAWN	5/25/61
TYPE & TEMPER	HEAT TREAT. SPEC.	CHECKER	FINAL APPROVAL
5-404 YELLOW IRIDITE			MS-2717
FINISH & SPEC. NO.	ELEC. DES. APP.	MECH. DES. APP.	