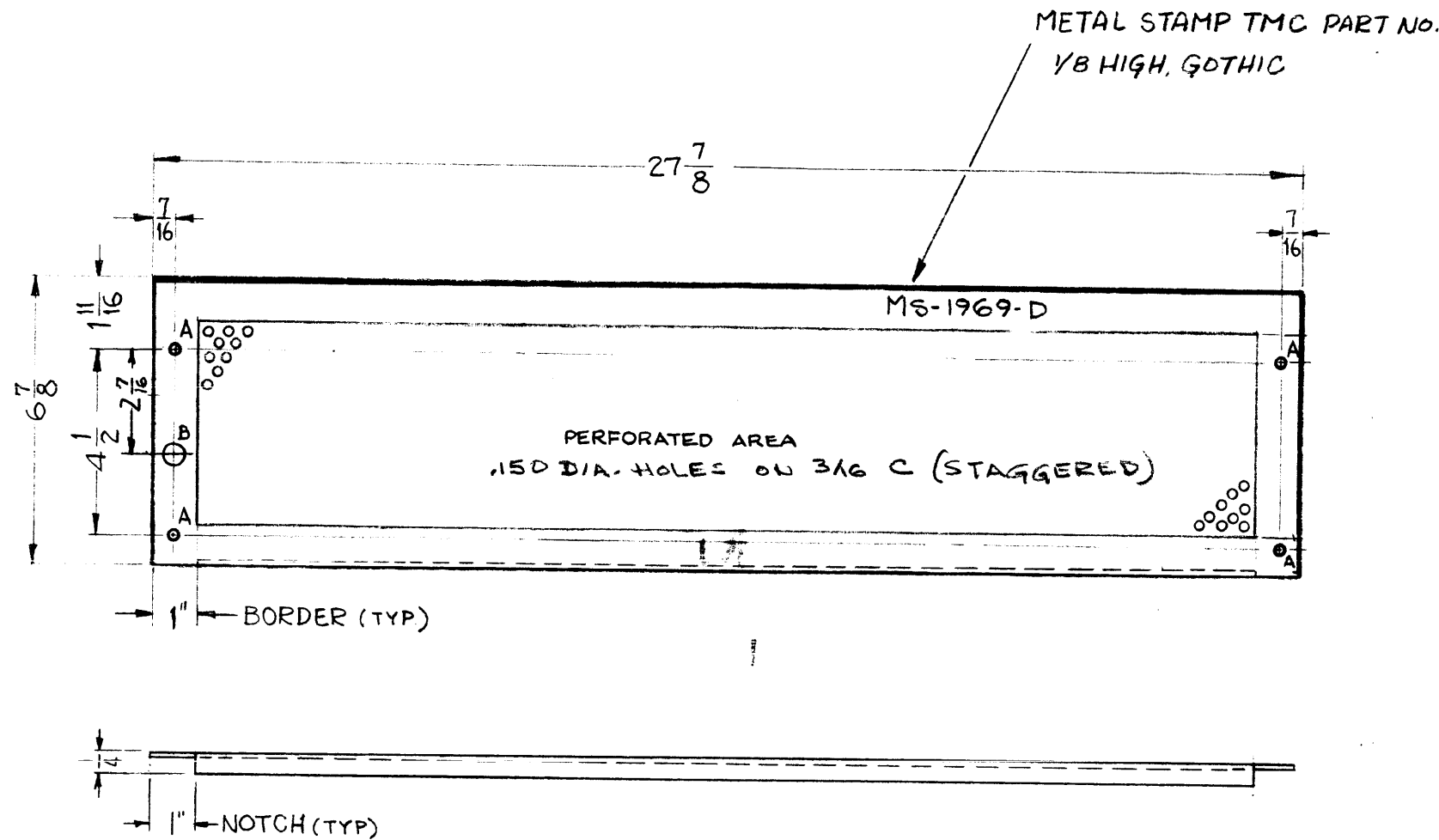
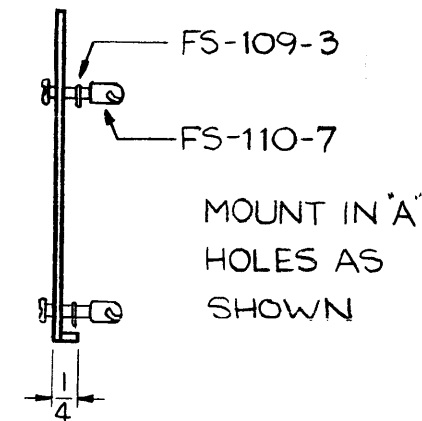


MS-1969-D



HOLES
 A ~ 1/4 (.250) DIA. REQ. 4
 B ~ 1/2 DIA. REQ. 1



NOTICE TO PERSONS RECEIVING THIS DRAWING

THE TECHNICAL MATERIEL CORPORATION claims proprietary right in the material disclosed hereon. This drawing is issued in confidence for engineering information only and may not be reproduced or used to manufacture anything shown hereon without permission from THE TECHNICAL MATERIEL CORPORATION to the user. This drawing is loaned for mutual assistance and is subject to recall at any time.

Property of:
 THE TECHNICAL MATERIEL CORPORATION
 MAMARONECK, NEW YORK

REF: LD-827

ISSUE	ITEM	CHANGED FROM	DATE	CH. NO.	DRAFTS	CHECKER	ENG. APP.
D	1	BLANK SIZE REF: MS-1775-G, DELETED	4-25-63	8912	MM	HDE	[Signature]
C	2	(1) "B" HOLE RELOCATED	11-30-62	7728	GH	JDE	[Signature]
	1	LIP RELOCATED & CLARIFIED					
B	1	DIM 2 7/16 WAS 1 1/8	10-8-60	3040	BA	JDE	[Signature]
A	1	(1) "B" HOLE ADDED	6-29-60	2568	CS	JDE	[Signature]

TOLERANCES
 DEC. DIM. ±
 FRAC. DIM. ± 1/64
 ANGULAR DIM. ±

SCALE:
 MAXIMUM ALLOWABLE TOLERANCES HAVE BEEN DETERMINED AND ANY DEVIATIONS WILL BE CAUSE FOR REJECTION. REMOVE ALL BURRS AND SHARP EDGES

REQ. PER UNIT	MODEL	PROJECT NO.	ASS'Y. NO.	DATE
1	AP-104	SPT-40K		1-21-60

USED ON

REQ. ITEM	PART NO.	DESCRIPTION	SYMBOL
4 2	FS-109-3	RING, STUD RETAINING	
4 1	FS-110-7	STUD	
.064 THK		THE TECHNICAL MATERIEL CORP. MAMARONECK, NEW YORK	
PERFORATED ALUMINUM		COVER, REAR (BIAS SUPPLY DRAWER)	
5052-H32			
TYPE & TEMPER		HEAT TREAT. SPEC.	DRAWN
S-404 IRIDITE			CHECKED
FINISH & SPEC. NO.		ELEC. DES. APP.	MECH. DES. APP.
			MS-1969-D