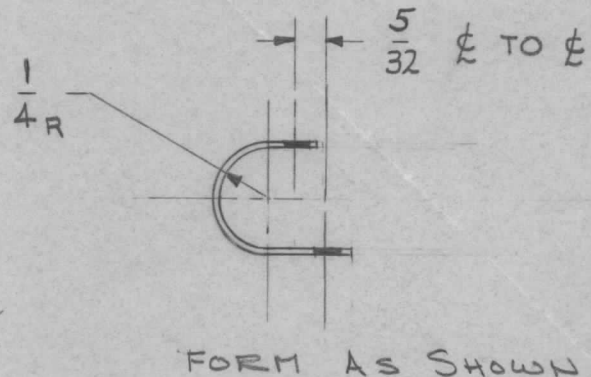
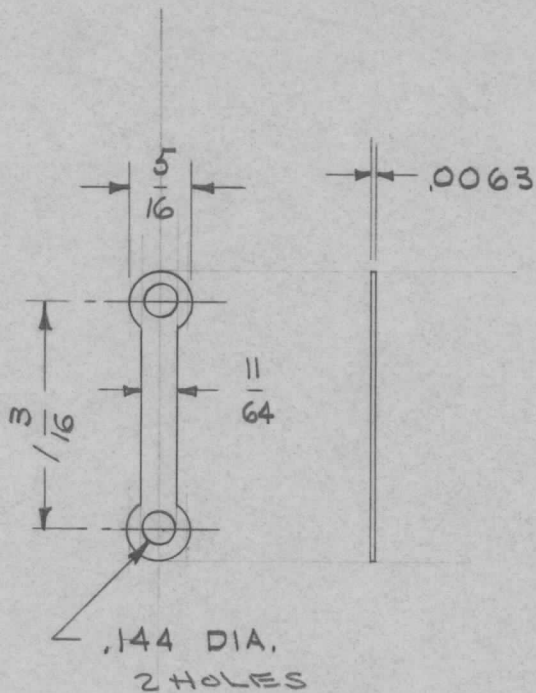


REQ. PER. UNIT	USED ON			MS-1769 A
	MODEL	ASS'Y. NO.	DATE	
			4 22 59	



UNLESS OTHERWISE SPECIFIED
DIMENSIONS ARE IN INCHES AND INCLUDE
CHEMICALLY APPLIED OR PLATED FINISHES

DECIMALS	FRACTIONS
.X ± .05	± 1/64
.XX ± .01	ANGLES
.XXX ± .005	± 0° 30'

TOLERANCES

CUT HERE
GUARANTEED
2-66

REQ.	ITEM	PART NO.	DESCRIPTION	SYMBOL
		.0063	THE TECHNICAL MATERIEL CORP.	
		STOCK SIZE	MAMARONECK, NEW YORK	
		BERYLLIUM COPPER	FLEXIBLE STRAP CONNECTOR	
		MATERIAL		
		2 HRS AT 600°F AIR COOLED		
		TYPE & TEMPER	DRAWN	CHECKED
		HEAT TREAT. SPEC.		FINAL APPROVAL
		S105 CADMIUM PLATE		
		FINISH & SPEC. NO.	ELEC. DES. APP.	MECH. DES. APP.
				MS-1769 A

A S105 CAD. PLATE WAS TIN ENDS 62365 14304 D.V.V. JCB

ISSUE ITEM CHANGED FROM DATE CH. NO. DRAFTS CHECKER ENG. APP.

TOLERANCES SCALE:

DEC. DIM. ±
FRAC. DIM. ±
ANGULAR DIM. ±

MAXIMUM ALLOWABLE TOLERANCES HAVE BEEN DETERMINED AND ANY DEVIATIONS WILL BE CAUSE FOR REJECTION. REMOVE ALL BURRS AND SHARP EDGES