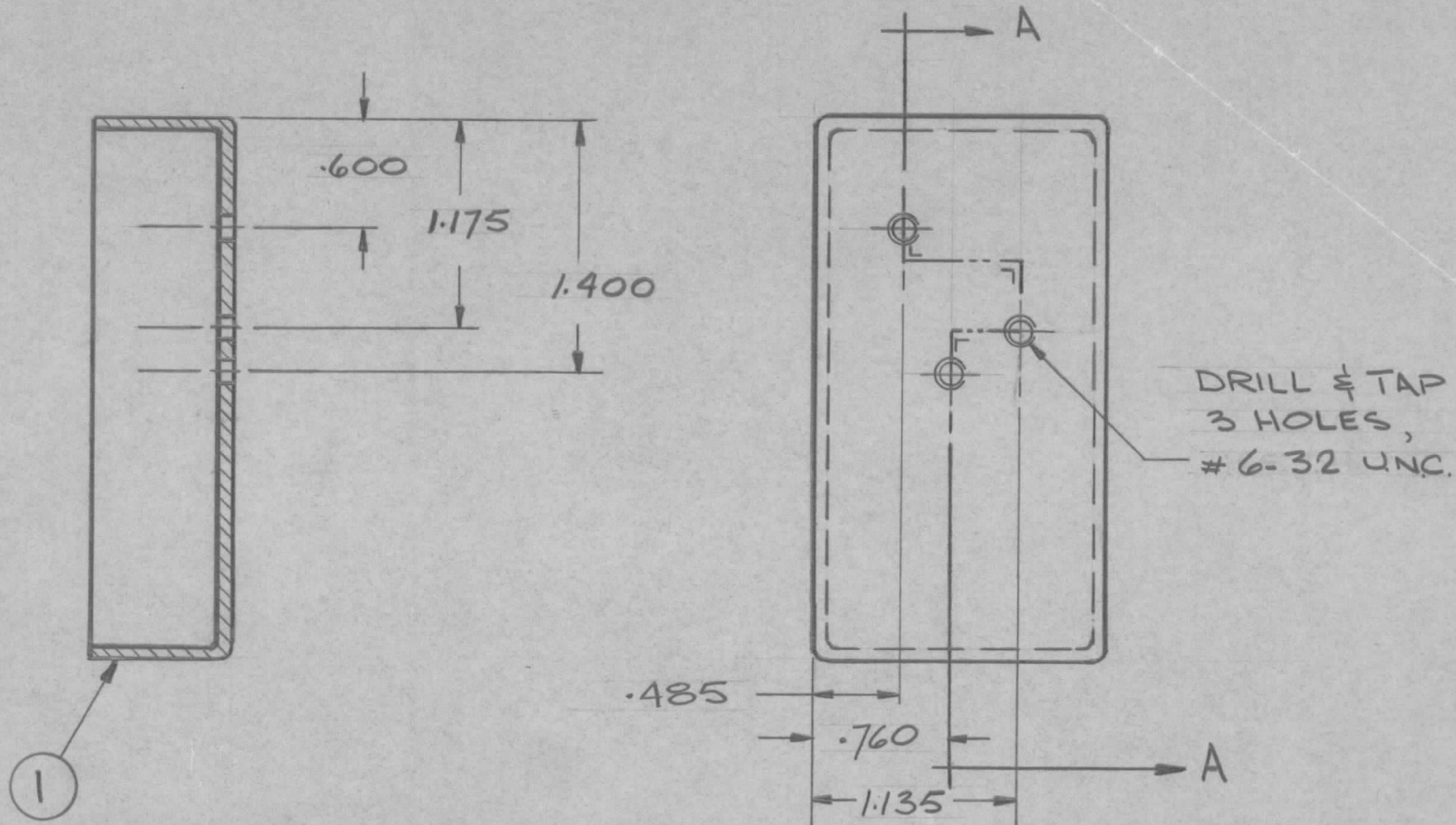


ISSUE	ITEM	CHANGED FROM	DATE	CN. NO.	DRAFTS	CHECKER	ENG. APP.	REQ.	ITEM	PART NO.	DESCRIPTION	SYMBOL
X		ENG. RELEASE	NOV. 25/71		PL	<i>[Signature]</i>		1	1	BX10021	COVER	

SECT. A-A



TCXO	068167	NF10002	25 Nov. 71			<b>TMC (Canada) LIMITED</b> OTTAWA ONTARIO		
MODEL	PROJECT NO.	ASS'Y. NO.	DATE	STOCK SIZE				
USED ON				MATERIAL	WEIGHT PER PC.	COVER, MODIFIED		
MAXIMUM ALLOWABLE TOLERANCES HAVE BEEN DETERMINED AND DEVIATIONS WILL BE CAUSE FOR REJECTION REMOVE ALL BURRS AND SHARP EDGES		IF IT IS FOUND DESIRABLE TO CHANGE ANY TOLERANCE OR OTHER DETAIL SPECIFIED ON THIS DRAWING NOTIFY THE PURCHASER PROMPTLY.		TYPE & TEMPER		P. LINDSAY		
TOLERANCES		SCALE 1:1		HEAT TREAT. SPEC.		DRAWN A. PROCTOR		
ALL OTHERS	DEC. DIM. $\pm$	.X = .05	DIMENSIONS IN INCHES UNLESS OTHERWISE SPECIFIED		CHECKED		FINAL APPROVAL	
	FRAC. DIM. $\pm \frac{1}{64}$	.XX = .01	DRILL: PUNCH, COMMERCIAL STOCK SIZES AND MANUFACTURERS TOLERANCES ARE NOT INCLUDED.				MS 11385 X	
	ANGULAR DIM. $\pm 0^{\circ} 30'$	.XXX = .005			FINISH & SPEC. NO.			