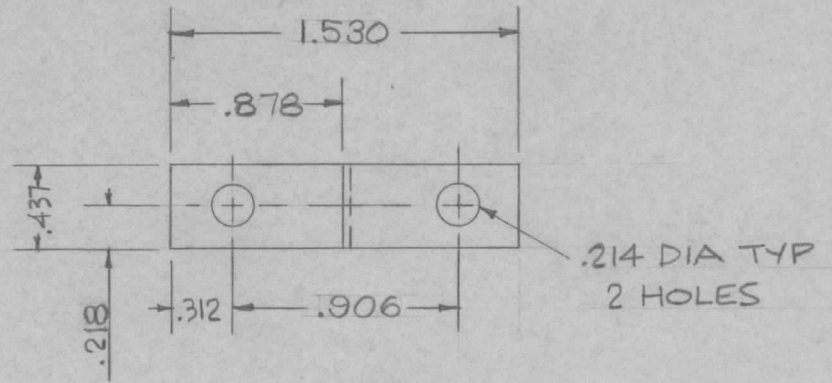


ISSUE	ITEM	CHANGED FROM	DATE	CN. NO.	DRAFTS	CHECKER	ENG. APP.	REQ.	ITEM	PART NO.	DESCRIPTION	SYMBOL
Ø		PROD RELEASE	7 APR 1970		SP							
A		REV PER CEMN	22 OCT 71	1078	BR	Hed	JW					



MIN. BENDING RADIUS .024 INSIDE

LPA-1		088/70		26 MAR 1970		.025 THK		TMC (Canada) LIMITED OTTAWA ONTARIO					
MODEL		PROJECT NO.		ASS'Y. NO.		DATE		STOCK SIZE					
USED ON						COPPER		LEAD CONNECTING					
MAXIMUM ALLOWABLE TOLERANCES HAVE BEEN DETERMINED AND DEVIATIONS WILL BE CAUSE FOR REJECTION. REMOVE ALL BURRS AND SHARP EDGES						IF IT IS FOUND DESIRABLE TO CHANGE ANY TOLERANCE OR OTHER DETAIL SPECIFIED ON THIS DRAWING NOTIFY THE PURCHASER PROMPTLY.							
						MATERIAL		WEIGHT PER PC.		TYPE & TEMPER		DRAWN	
TOLERANCES						SCALE 1:1		HEAT TREAT. SPEC.		CHECKED		FINAL APPROVAL	
ALL OTHERS		DEC. DIM. ± .015		.X = .05		DIMENSIONS IN INCHES UNLESS OTHERWISE SPECIFIED							
		FRAC. DIM. ± 1/64		.XX = .01		DRILL: PUNCH. COMMERCIAL STOCK SIZES AND MANUFACTURERS TOLERANCES ARE NOT INCLUDED.							
		ANGULAR DIM. ± 0° 30'		.XXX = .005		SILVER PLATE		S245.0003		MS11194		A	
						FINISH & SPEC. NO.							